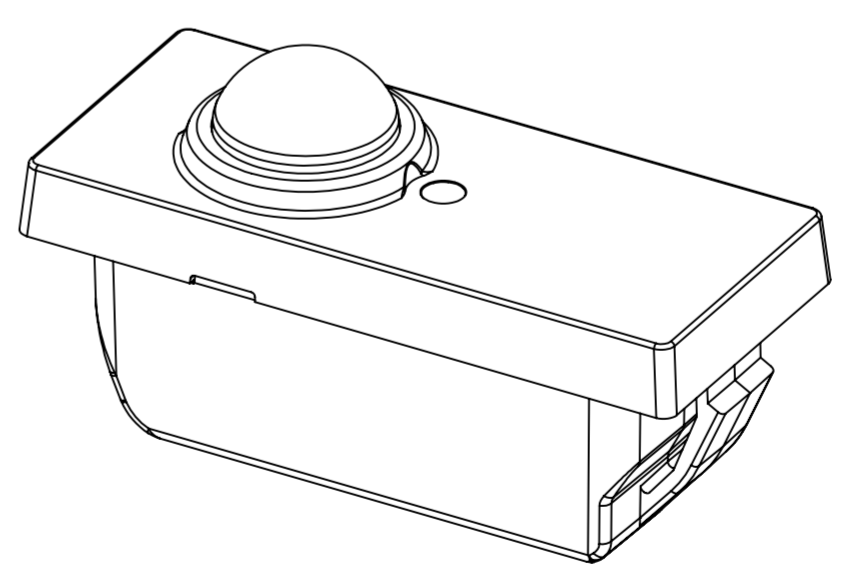
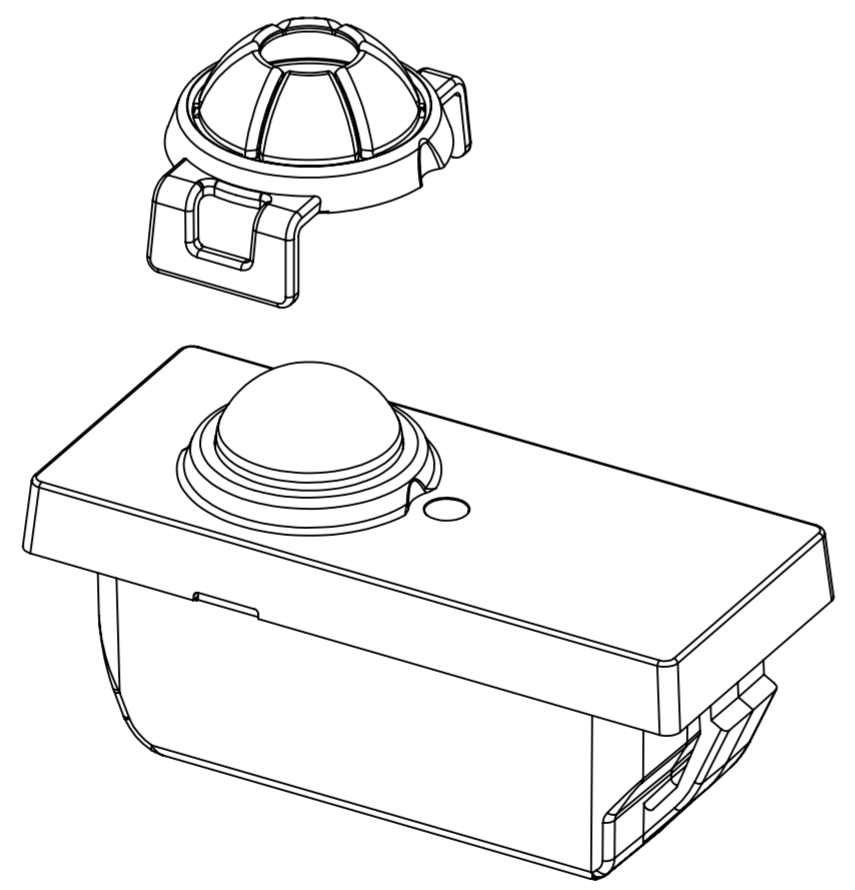
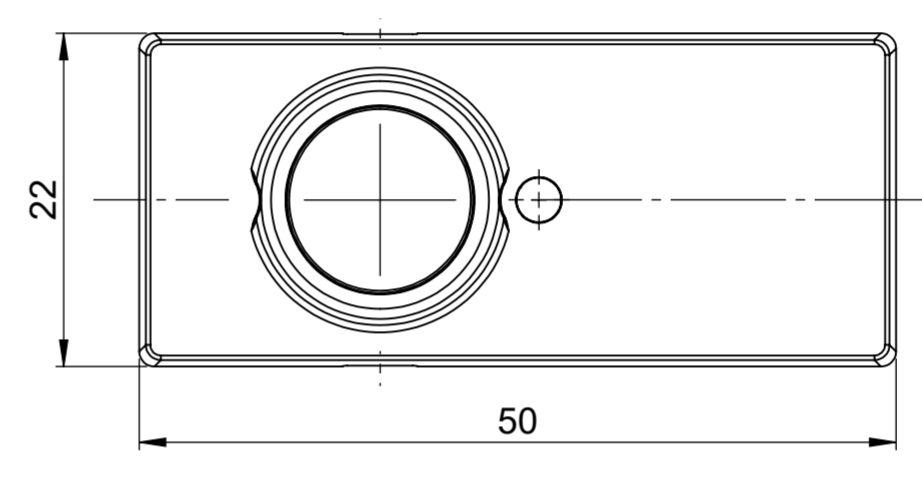
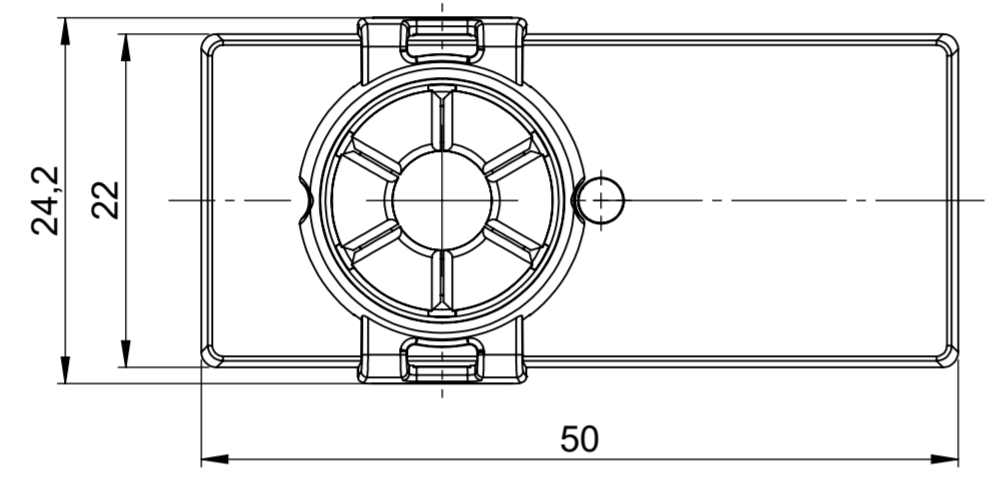
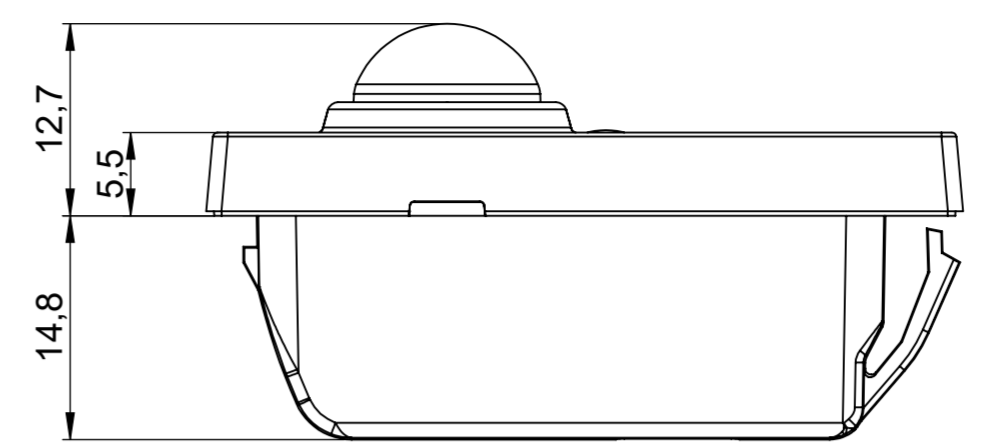
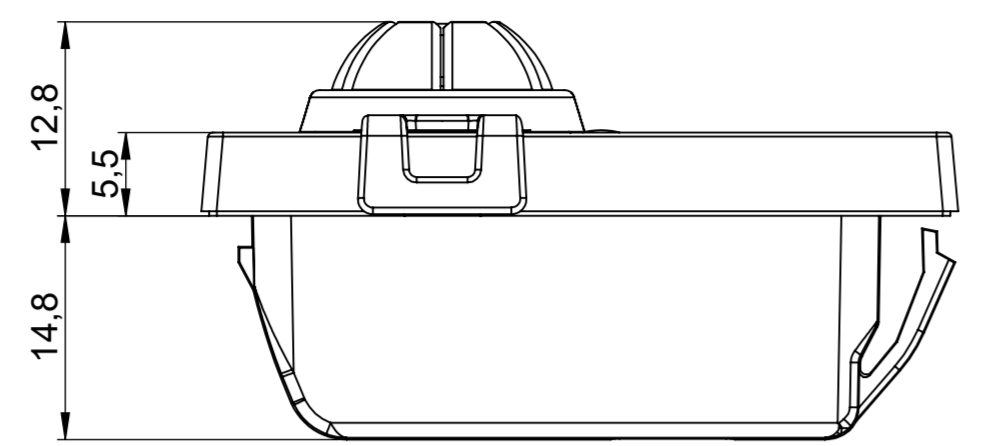


A
B
C
D
E
F
G
H



CREATED BY P.SACHSENWEG	CREATED AT 28.10.2025	SURFACE FINISH not applicable		GENERAL TOLERANCE not applicable		PROJECTION 1				
CHANGED BY P.SACHSENWEG	CHANGED AT 28.10.2025	BASIC MATERIAL not applicable								
CHECKED BY	RELEASE DATE	CALC. WEIGHT / UNIT WEIGHT not applicable	VOLUME / UNIT VOLUME not applicable	NOTES first edition						
CHANGE No.		DESCRIPTION B NLC D OF LI S					FORMAT A2			
inventronics		DOC TYPE	PLM DOC No.	LANGUAGE	VER	DOC TYPE	NEUTRAL FORMAT No.	VER	STATUS	SCALE
		SWD	4552122	EN	00	9C1	4552117	00	RL	2:1
		DOC TYPE	3D MODEL No.	DOC PART	VER	PLM MAT TYPE	PLM MATERIAL No.			PAGE
		SWM	4552116	000	00	DMAT	D30091278			1/1

SolidWorks

1 2 3 4 5 6 7 8 9 10 11 12