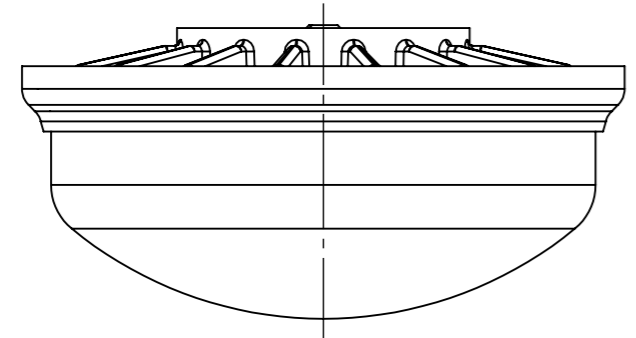
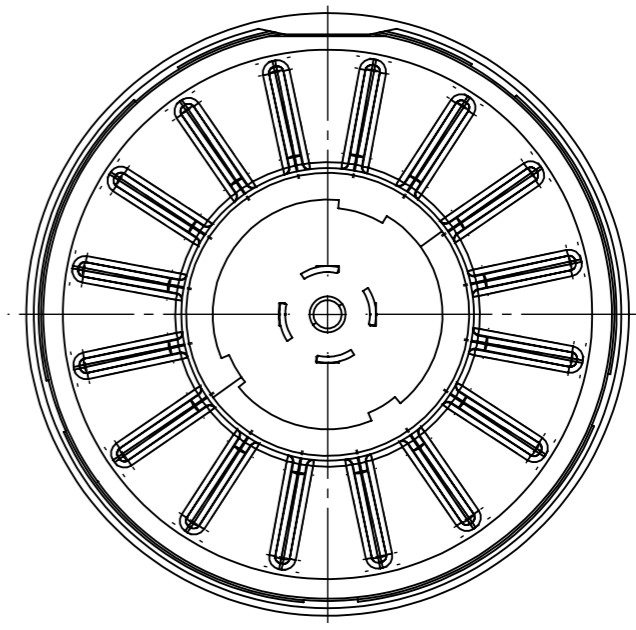
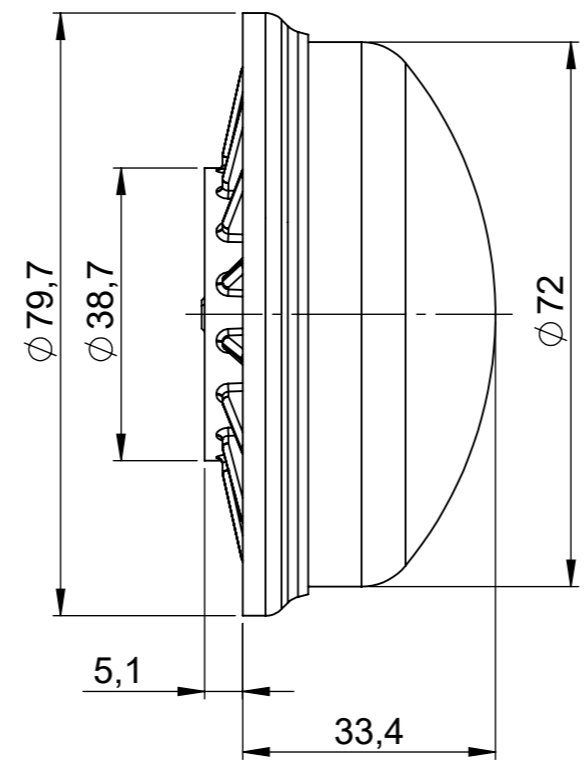
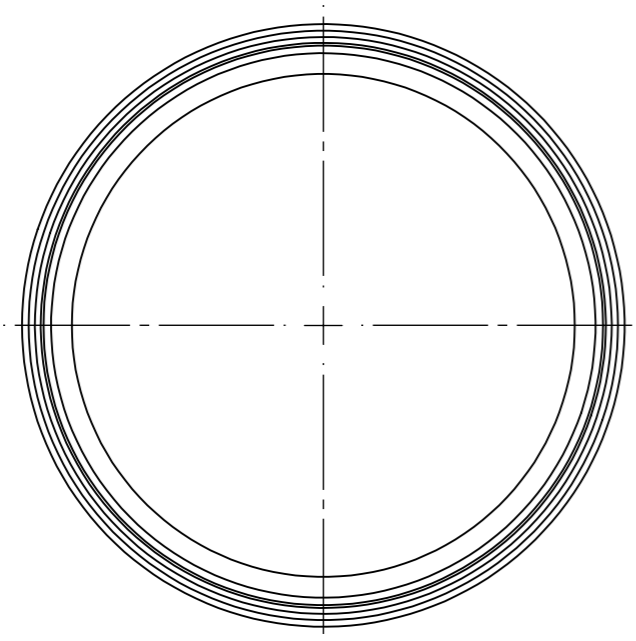
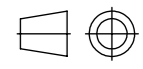



A  
B  
C  
D  
E  
F

1 2 3 4 5 6 7 8



CREATED BY P.SACHSENWEG	CREATED AT 15.10.2025	SURFACE FINISH not applicable			GENERAL TOLERANCE <b>not applicable</b>		 PROJECTION 1			
CHANGED BY P.SACHSENWEG	CHANGED AT 17.10.2025	BASIC MATERIAL not applicable								
CHECKED BY	RELEASE DATE	CALC. WEIGHT / UNIT WEIGHT not applicable	VOLUME / UNIT VOLUME not applicable	NOTES first edition						
CHANGE No.		DESCRIPTION <b>B NLC D4I HF P Z</b>						FORMAT <b>A3</b>		
		DOC TYPE	PLM DOC No.	LANGUAGE	VER	DOC TYPE	NEUTRAL FORMAT No.	VER	STATUS	SCALE
		SWD	4551750	EN	00	<b>9C1</b>	<b>4551744</b>	00	RL	1:1
		DOC TYPE	3D MODEL No.	DOC PART	VER	PLM MAT TYPE	PLM MATERIAL No.			PAGE
		SWM	4551743	000	00	<b>DMAT</b>	<b>D30091078</b>			1/1
Released										

1 2 3 4 5 6 7 8

A  
B  
C  
D  
E  
F

SolidWorks