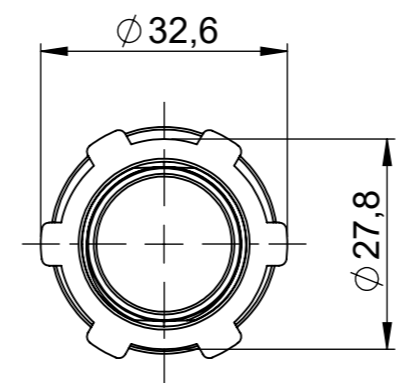
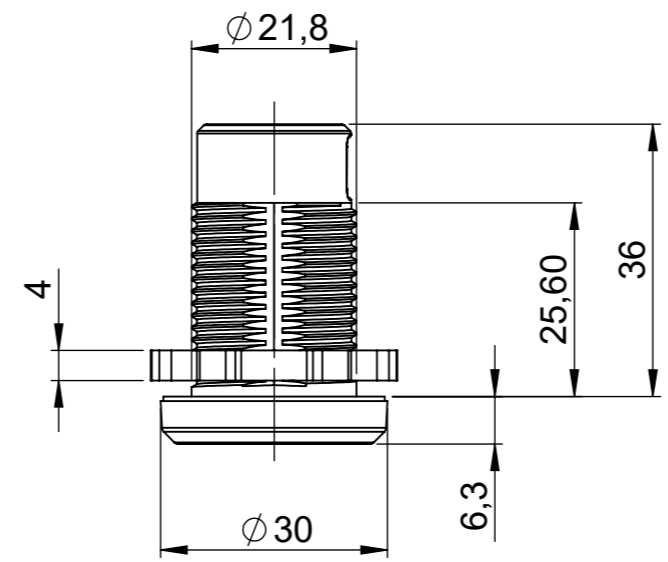
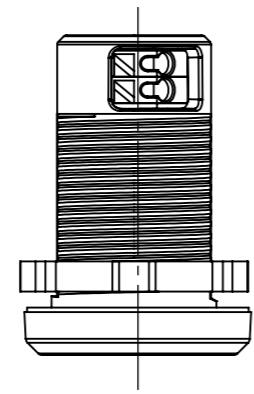
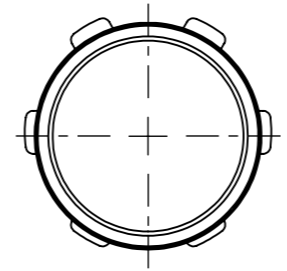
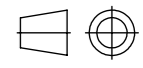



A
B
C
D
E
F

1 2 3 4 5 6 7 8



CREATED BY P.SACHSENWEG	CREATED AT 15.10.2025	SURFACE FINISH not applicable				GENERAL TOLERANCE not applicable		 PROJECTION 1		
CHANGED BY P.SACHSENWEG	CHANGED AT 15.10.2025	BASIC MATERIAL not applicable								
CHECKED BY	RELEASE DATE	CALC. WEIGHT / UNIT WEIGHT not applicable	VOLUME / UNIT VOLUME not applicable	NOTES first edition						
CHANGE No.		DESCRIPTION B NLC D LI R							FORMAT A3	
		DOC TYPE	PLM DOC No.	LANGUAGE	VER	DOC TYPE	NEUTRAL FORMAT No.	VER	STATUS	SCALE
		SWD	4551620	EN	00	9C1	4551621	00	RL	1:1
		DOC TYPE	3D MODEL No.	DOC PART	VER	PLM MAT TYPE	PLM MATERIAL No.			PAGE
SWM	4551618	000	00	DMAT	D30091071			1/1		
Released										

SolidWorks

1 2 3 4 5 6 7 8