

OPTOTRONIC® LED Power Supply

OT FIT 35/220-240/350 D NFC L

OPTOTRONIC®
OT FIT 35/220-240/350 D NFC L
 Constant current LED Power Supply

| | | | | | | |
|------------------|-----------------|-----------------|------------------------|-----------|---------------|------------|
| I_{rated} [mA] | P_{rated} [W] | U_{rated} [V] | U_{in}/f_n | I_n [A] | λ | t_c [°C] |
| 75 - 350 | 35 | 54 - 216 | 220-240V 0/50/60 Hz | 0.18 | 0.65C 0.97 | -25...60 |

Hersteller: GmbH
 Böhler & Co. SS
 80754 Augsburg
 Germany
 www.inventronics-apt.com

Connect PE to case or PIN 2
 wire preparation
 push in
 IS 15885
 (Part 2/5Sep:13)
 R=1051349
 www.bis.gov.in

$t_c = 75^\circ\text{C}$

Designed and engineered in Germany
 Made in China

OSRAM

LED+ ● 21-
 ○ 22
 LED- ● 23

U-OUT = 250V

1) 2) 3) 4)

picture only for reference, valid print on product⁵⁾

OT FIT 75/220-240/550 D NFC L

OPTOTRONIC®
OT FIT 75/220-240/550 D NFC L
 Constant current LED Power Supply

| | | | | | | |
|------------------|-----------------|-----------------|------------------------|-----------|---------------|------------|
| I_{rated} [mA] | P_{rated} [W] | U_{rated} [V] | U_{in}/f_n | I_n [A] | λ | t_c [°C] |
| 125-550 | 75 | 54 - 216 | 220-240V 0/50/60 Hz | 0.37 | 0.67C 0.98 | -25...60 |

Hersteller: GmbH
 Böhler & Co. SS
 80754 Augsburg
 Germany
 www.inventronics-apt.com

Connect PE to case or PIN 2
 wire preparation
 push in
 IS 15885
 (Part 2/5Sep:13)
 R=1051349
 www.bis.gov.in

$t_c = 75^\circ\text{C}$

Designed and engineered in Germany
 Made in China

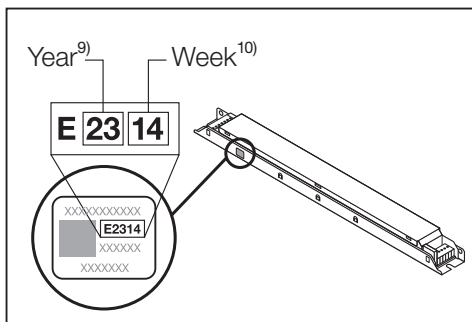
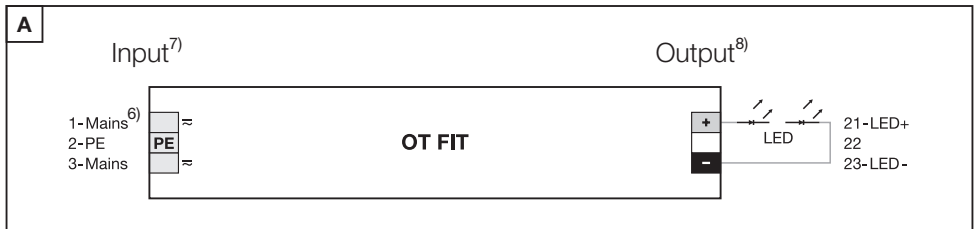
OSRAM

LED+ ● 21-
 ○ 22
 LED- ● 23

U-OUT = 250V

1) 2) 3)

picture only for reference, valid print on product⁵⁾



| | OT FIT 35 | OT FIT 75 |
|------------------------|-----------|-----------|
| B16 | 30 x | 26 x |
| B10 | 19 x | 16 x |
| | ≤ 30 A | ≤ 41 A |
| T_H | 145 μs | 124 μs |
| V_{NAC} | 198-264 V | 198-264 V |
| V_{NDC} | 176-276 V | 176-276 V |

