



Lighting Systems

–Sports Lighting

–Horticulture Lighting



Sports



Horticulture

About Inventronics	01
Lighting system solutions-Sports	03
Lighting system solutions-Horticulture	09

01 Controls, Sensors, Programming Tools & Accessories

1.1 Software	Tuner4TRONIC	15
	DALI Wizard	15
1.2 Programming Tools	PRG-MUL2	15
	PRG-NFC-H	15
	PRG-NFC-D2	16
	DALI magic	16
1.3 Converters	CNV-DMXR2	16
	CNV-DALI2	16

02 LED Driver & Accessories

2.1 Connected - Constant Current	EUM-Mx, ESM-Mx	17
	EUM-Bx,ESM-Bx	20
	NFS-BC,NSS-BC	23
	NFM-Gx/Mx,NSM-Gx/Mx	25
	EFM-800Q/T	27
	ESM-1K0D/1K2T	29
	IT 0-10 Non-isolated BRICK	31
	NFM-760Q, NSM-1K2Q/1K5Q	33
2.2 Simple DIM - Constant Current	NFL-Mx	35
	NEL	36
	IT 0-10 N P67	37
	SUM-Mx/Hx, SSM-Mx/Hx	39
	SUM-MGS/MGR,SSM-MGS/MGR	42
2.4 Accessories	PU-10Kx05KBxA	44
	PU-20Kx10KTxx	44
	PU- 20KS10KHT	44
	PS-20KS10KHT	44
	SPD G3	45
	SPD 20/510 PL P5	45
	ACC-LID-NFS	45
	ACC-RVS-NFS	45

03 Light Modules & Accessories

3.1 Rigid	Planta Seed Brick	46
	Planta Seed Linear	47

About Inventronics

Building a Brighter Future

Inventronics is a premier worldwide provider of lighting systems & solutions, building on decades of expertise in LED drivers, sensors, control systems, and LED modules. Their integrated, cutting-edge solutions are designed to simplify system design, enhance performance, and ensure long-term reliability across a wide range of lighting applications—while meeting all major international safety and performance standards.

The acquisition of the Business Unit Digital Systems in Asia and Europe from OSRAM GmbH in 2023, strengthens and enhances Inventronics portfolio, capabilities, and global presence, making us the first choice for LED lighting system solutions to customers.



4
Own production sites
on three continents



4
R&D centers



15
Warehouses



100+
Countries products are sold



2000+
Employees



4000+
Standard lighting products

Why Choose Us?



A Broad Portfolio Of Dependable Products

You benefit from industry-leading comprehensive portfolio of indoor and outdoor high-quality, energy-efficient products and systems as well technical expertise in all lighting applications from a single source.



A Customer-Focused, Service-Driven Collaborator

We develop for and together with you best fitting components and solutions – from standard to customized.



A Forward-Looking, Global Enterprise

We provide consulting, know-how, products, and services from a single source worldwide. Our customer proximity is our core – with on-site contacts and direct connections, you benefit from our global reach.

ALL FIELDS OF APPLICATION



Commercial



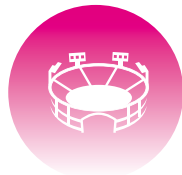
Retail, Hospitality and Residential



Architectural



Signage & Non-lighting



Sports



Horticulture



Street and Area



Industrial

**Inventronics
Lighting Systems**



An Innovative Technology Leader

Through continuous research and development, we improve and extend our range of highly reliable solutions with advanced technologies that ensure you are one step ahead.



A Trusted Partner for Lighting Companies and beyond

We don't compete with our customers; we work with you to create value and make you more successful.

At Inventronics, we are committed to delivering superior lighting solutions and building lasting partnerships for a brighter future.

Lighting System Solutions Sports

— Light is thrilling!





We craft 'Visual Referees' (IEEE 1789 flicker-free) with 1% super low ripple drivers, 'Endurance Guardians' (100,000h+ lifetime), and 'Scene Magicians' (44fps dynamic dimming) – so every stadium moment from a local training facility to an Olympic stadium, can enjoy their special moment worry free.

Expertise

Bring every pivotal moment to life with precision lighting that elevates your event's impact! For athletes, spectators, and broadcasters alike, unmatched performance demands certified illuminance levels, flawless uniformity, and real-time adaptability.



World-class



Dynamic control



**Durability &
Energy efficiency**

System Value

- Complete and harmonious lighting solutions with full - range LED drivers, modules and connectivity accessories, catering seamlessly to everything from training facilities to international sporting events.
- System compatibility relieve customers' worries.
- Reliable and long - lasting lighting design with 100,000+ hours lifetime and low maintenance requirements, ensuring stable operation in harsh environments.
- Flicker - free lighting design complies with IEEE 1789, providing a clear and comfortable visual experience for high – definition broadcasts.
- Precise and stable lighting control system supporting multiple protocols with as low as to 0.1% dimming and dynamic control up to 44fps, enabling personalized lighting adjustment for various sports scenarios.

Sub-applications

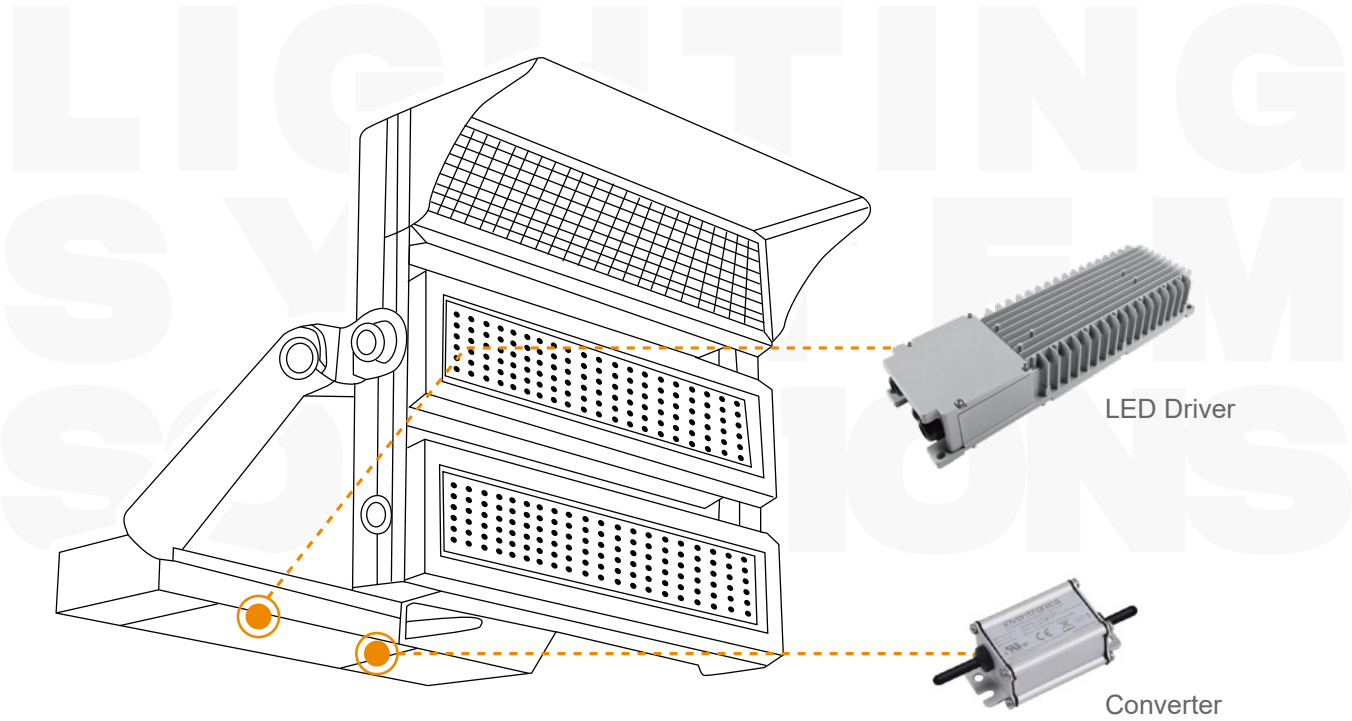


Professional



Semi-Professional

Lighting System Solutions



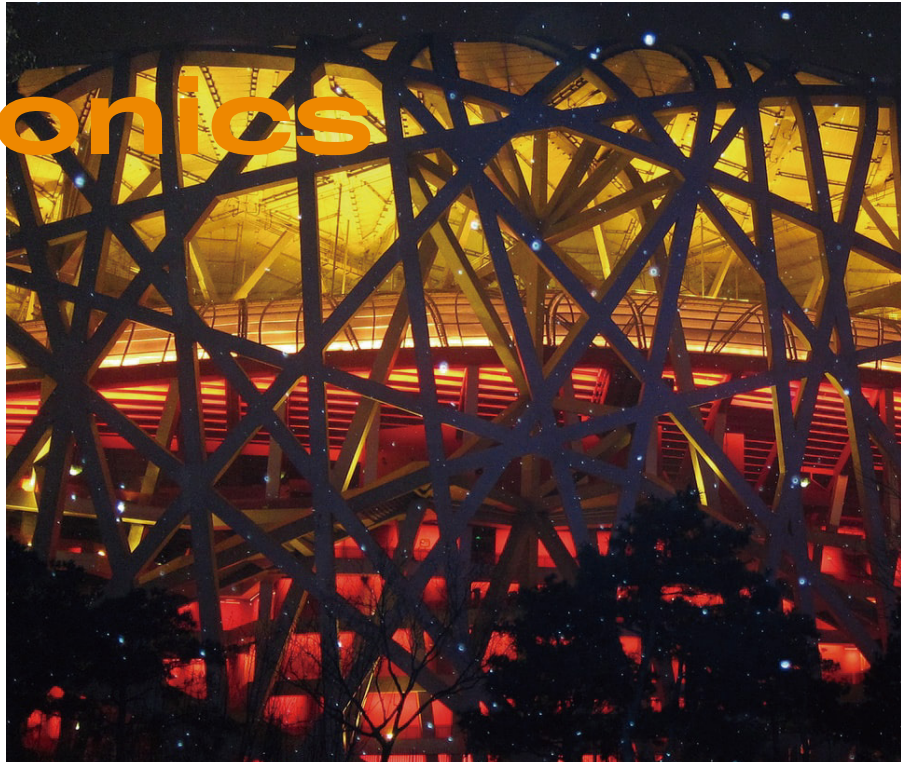
Training/Recreation



Ports/Airports

Inventronics Cases

The stadium where the 2008 Beijing Olympics were held, one of China's top ten contemporary buildings.
National Stadium, China



A tennis sanctuary bearing tournament passion and urban glory.
Olympic Park Tennis Courts, Korea





The largest sports landmark in East Africa and a shining example of Sino-African friendship and cooperation.

National Stadium, Tanzania



The pearl of Qiandao lake, the only indoor venue for the cycling events of the Hangzhou Asian Games.

Asian Games Velodrome, China



Lighting System
Solutions

Horticulture

— Light for sustainable growth!



We craft 'Spectrum Chefs' (dynamic 380-800nm tuning) with multi-channel drivers, 'Energy Savers' (97.5% efficiency), and 'Environment Guardians' (IP67 waterproofing) – so every plant savors a tailored light recipe, turning growers' harvests from weather-dependent to light-driven.

Expertise

At the core of every bountiful harvest lies precision lighting. As the global leader in agricultural LED drivers, Inventronics delivers durable, fully customizable systems that adapt to your crops' lifecycle needs: Our advanced Horticulture lighting systems deliver:



Evergreen reliability



**Dynamic spectrum control
to boost yields**



**Energy efficiency for
cutting utility costs**

System Value

- Multi-channel drivers with Power Transfer enabling dynamic 380-800nm wavelength adjustments to optimize photosynthesis boost yields.
- 97%+ driver efficiency with high luminous efficacy cuts energy costs.
- Multi-protocol support (0-10V/Digital dimming/ D4i) enable adaptive lighting strategies and fully controlled environment for harvest guarantee.
- IP67-rated waterproof drivers ensure reliable operation in humid greenhouses and extreme-temperature environments, minimizing downtime.
- Flexible lighting scheme setting with a precise control system.

Sub-applications

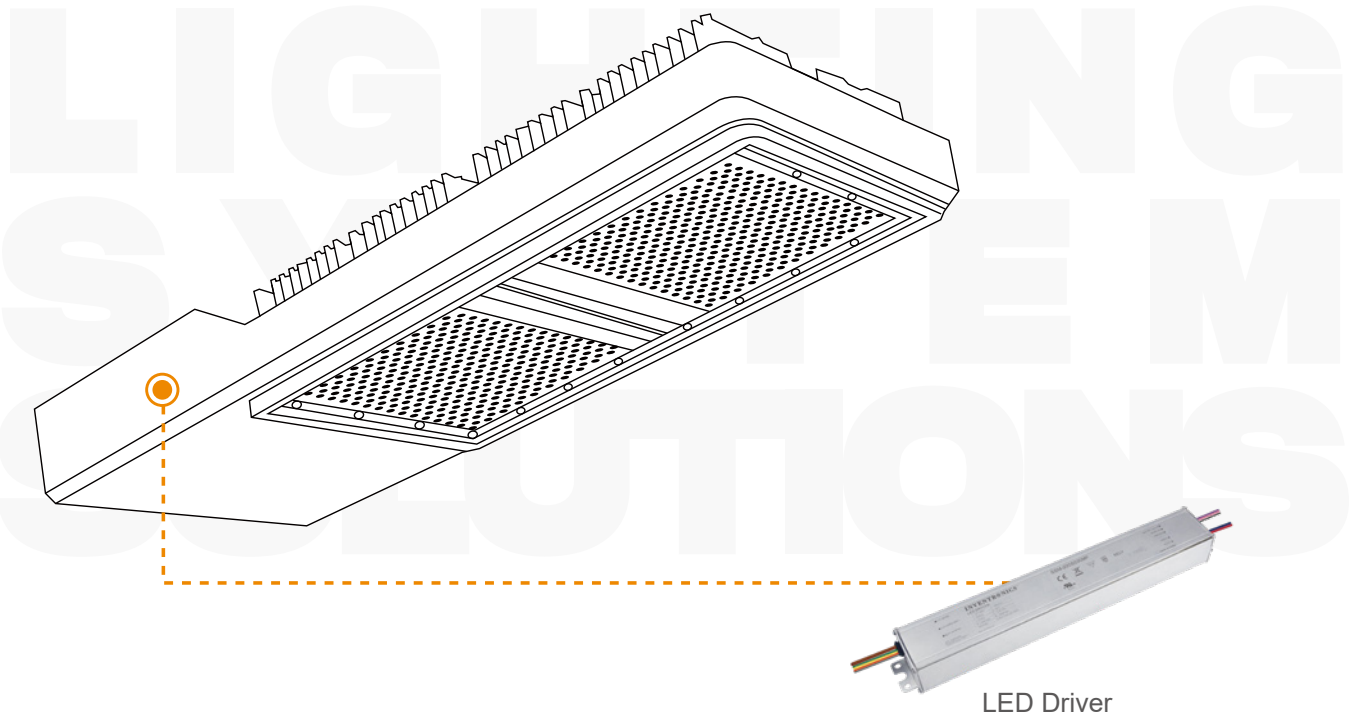


Greenhouse



In farming

Lighting System Solutions



Animal Farming



Aqua Culture



A green lab nurturing natural wonders with artificial light.

Green house, the Netherlands

Inventronics Cases





Every tomato is nurtured by the gentle embrace of lighting, each bite a burst of sweetness.

***Tomato Green house,
Belgium***

SOFTWARE

Software

Overview

Inventronics offers a comprehensive range of professional software solutions to support and configure its components.



T4T



Apps



Tuner4TRONIC

A software suite for OEMs that enables the configuration of all programmable OPTOTRONIC, ICUTRONIC, QUICKTRO NIC, and POWERTRONIC LED drivers during the luminaire manufacturing process.



DALI Wizard

A GUI tool for setting up, analyzing, and diagnosing DALI ECG installations, used in combination with the DALI Wizard control device.



PROGRAMMING TOOLS

Programming Tools

PRG-MUL2



FC CE

Features

- Programmer for All Inventronics DALI and 0-10V Programmable Drivers
- Offline Programming Capability
- Automatic Programming Mode

PRG-NFC-H



Features

- For Use with Inventronics NFC Enabled Drivers
- Zhaga Book 24 Compliant
- USB Powered
- IP30
- Connects to Inventronics Multi-Programmer

PRG-NFC-D2



Features

- For Use with Inventronics NFC Enabled Drivers
- Zhaga Book 24 Compliant
- USB Powered
- IP42
- Connects to Inventronics Multi-Programmer Software

DALI magic



Features

- USB DALI converter for Tuner4TRONIC and DALI wizard software for Windows PC
- Pushbutton to test DALI dimming without need of connection to computer
- Powered by USB or by included universal power supply
- Integrated automatic DALI supply of up to 64 devices (up to 4 if powered by USB)

CONVERTERS

Converters

DMX-RDM

CNV-DMXR2

Stadium/Stage Lighting Management Solutions



Features

- Converts DMX-RDM Signal to 0/1-10V Dimming Signal
- Compatible with RDM over DMX512 Networks with Bi-Directional Communication

DALI-2

CNV-DALI2

Stadium/Stage Lighting Management Solutions



Features

- Convert DALI-2 Signal to 0/1-10V Dimming Signal
- Comply with DALI-2 Protocol
- Powered By Auxiliary Power with 3-Wire Connection to Driver



EUM-Mx
ESM-Mx

Advantages

- High Efficiency (Up to 96.5%)
- Full Power at Wide Output Current Range (Constant Power)
- Adjustable Output Current (AOC) with Programmability
- Input Voltage Range: 90 ~ 305Vac(EUM-Mx) 249-528Vac(ESM-Mx)
- Always-on Auxiliary Power: 12Vdc, 250mA, 3W (Transient Peak Power up to 10W)
- Output Lumen Compensation
- End-of-Life Indicator
- Input Surge Protection: DM 6kV, CM 10kV
- All-Around Protection: IUVP, IOVP, OVP, SCP, OTP
- IP66 / IP67 and UL Dry / Damp / Wet Location
- TYPE HL, for Use in a Class I, Division 2 Hazardous (Classified) Location
- 5-Year Warranty

Dimming Functions

- Isolated 0-10V / PWM / 3-Timer-Modes Dimmable
- INV Digital Dimming, UART Based Communication Protocol
- Dim-to-Off with Standby Power

Safety Certifications



About EUM-Mx

The EUM-Mx series offers full power at a wide output current range and supply Controls-Ready features such as Dim-to-Off and an Always-On Auxiliary Power of 12Vdc, 250mA with a transient peak up to 10W to better power occupancy and daylight sensors. This provides a cost-optimized solution by removing the need for additional power packs and AC Relays. They offer a reliable performance with a high level of built-in surge protection and added Input Over Voltage (IOV) and Input Under Voltage (IUUV) protection to help against poor power quality supplies to the LED driver. The MG series provides a global cable to reduce inventory SKUs, the MT Series are UL Class P recognized and the MB series are BIS certified to offer a solution for a wide range of applications and regions.

About ESM-Mx

The ESM-Mx family are high input voltage Controls-Ready drivers offering OEMs a cost-optimized solution. They provide design flexibility with full power at a wide output current range. Their Controls-Ready features such as Dim-to-Off and an Always-On Auxiliary Power of 12Vdc, 250mA with a transient peak up to 10W to better power occupancy and daylight sensors. The ESM-Mx operates on a vast array of lighting control networks via a 0-10V dimming input. These IP66/IP67 drivers have industry-leading built-in surge protection and longer lifetimes for harsh environmental applications. They provide the added convenience of UL Class P (MT series) and models with a global cable to reduce inventory SKUs (MG series).

EUM-Mx

Output Power (W)	Product Name	Full-power Current Range(mA)	Output Voltage Range (Vdc)	Eff.@ 220Vac	Lifetime (hours)	Dimensions (L×W×H)(mm)
75	EUM-075S105Mx①	700 ~ 1050	36 ~ 107	90.5%	101,000 Tc= 70°C	142(125) × 67.5 × 36.5
	EUM-075S150Mx	1050 ~ 1500	25 ~ 72	89.5%		
	EUM-075S210Mx ★	1400 ~ 2100	18 ~ 54	89.0%		
100	EUM-100S105Mx	700 ~ 1050	48 ~ 143	92.5%	112,000 Tc= 70°C	148(131) × 67.5 × 36.5
	EUM-100S150Mx	1050 ~ 1500	34 ~ 95	92.5%		
	EUM-100S280Mx ★	1750 ~ 2800	17 ~ 54	91.0%		
150	EUM-150S105Mx	700 ~ 1050	72 ~ 214	93.5%	104,000 Tc= 70°C	178(161) × 67.5 × 36.5
	EUM-150S150Mx	1050 ~ 1500	50 ~ 143	93.0%		
	EUM-150S210Mx	1400 ~ 2100	36 ~ 107	92.5%		
	EUM-150S420Mx	2800 ~ 4200	18 ~ 54	91.5%		
200	EUM-200S105Mx	700 ~ 1050	95 ~ 286	93.5%	102,000 Tc= 70°C	188(171) × 67.5 × 36.5
	EUM-200S150Mx	1050 ~ 1500	67 ~ 190	93.5%		
	EUM-200S280Mx	1800 ~ 2800	36 ~ 111	93.0%		
	EUM-200S560Mx	3500 ~ 5600	18 ~ 57	92.0%		
240	EUM-240S105Mx	700 ~ 1050	115 ~ 343	94.0%	101,000 Tc= 70°C	218(201) × 67.5 × 38.5
	EUM-240S150Mx	1050 ~ 1500	80 ~ 229	93.5%		
	EUM-240S350Mx	2150 ~ 3500	35 ~ 111	93.0%		
	EUM-240S670Mx	4200 ~ 6700	18 ~ 57	92.5%		
320	EUM-320S105Mx	700 ~ 1050	153 ~ 457	94.5%	112,000 Tc= 70°C	243(224) × 80 × 44.5
	EUM-320S150Mx	1050 ~ 1500	107 ~ 305	94.0%		
	EUM-320S250Mx	1750 ~ 2500	64 ~ 183	94.0%		
	EUM-320S500Mx	2850 ~ 5000	32 ~ 112	93.5%		
	EUM-320S760Mx	5350 ~ 7600	21 ~ 60	92.5%		
400	EUM-400S150Mx	1050 ~ 1500	133 ~ 381	94.5%	113,000 Tc=70°C	262(243) × 90 × 43.5
	EUM-400S910Mx	7150 ~ 9100	24 ~ 56	94.0%		
480	EUM-480S140Mx	1050 ~ 1400	171 ~ 457	94.5%	102,000 Tc=70°C	262(243) × 90 × 43.5
	EUM-480S280Mx	2100 ~ 2800	86 ~ 228	94.0%		
	EUM-480S420Mx	3150 ~ 4200	57 ~ 152	94.0%		
	EUM-480S560Mx	4350 ~ 5600	43 ~ 110	94.0%		
	EUM-480S10AMx	8600 ~ 10000	24 ~ 56	94.0%		
680	EUM-680S170Mx	1250 ~ 1700	200 ~ 544	95.5%	107,000 Tc=70°C	275(250)×135 x 46
	EUM-680S240Mx	1800 ~ 2400	141.5 ~ 378	94.5%		
	EUM-680S350Mx	2600 ~ 3500	97.1 ~ 262	95.0%		
	EUM-680S560Mx	4200 ~ 5600	60.7 ~ 163	94.5%		
	EUM-680S840Mx	6300 ~ 8400	40.4 ~ 108	95.0%		
	EUM-680S15AMx	12600 ~ 15000	22.6 ~ 54	95.5%		
880	EUM-880S280Mx	1950 ~ 2800	157 ~ 452	95.0%	105,000 Tc= 70°C	275(250)×144 x 48.5
	EUM-880S420Mx	3000 ~ 4200	104 ~ 294	95.5%		
	EUM-880S700Mx	4900 ~ 7000	63 ~ 180	96.0%		
	EUM-880S11AMx	8000 ~ 11500	38 ~ 110	95.5%		
	EUM-880S20AMx	16300 ~ 20000	22 ~ 54	95.5%		

★ : Class 2 Model

① : x=G are UL Recognized, ENEC and CCC, etc. models; x=T are UL Class P models.

ESM-Mx

Output Power (W)	Product Name	Full-power Current Range(mA)	Output Voltage Range (Vdc)	Eff.@ 480Vac	Lifetime (hours)	Dimensions (L×W×H)(mm)
150	ESM-150S105Mx ^①	700 ~ 1050	72 ~ 214	93.5%	100,000 Tc=70°C	178(161)× 76.5× 38.5
	ESM-150S150Mx	1050 ~ 1500	50 ~ 143	93.0%		
	ESM-150S210Mx	1400 ~ 2100	36 ~ 107	92.5%		
	ESM-150S420Mx	2800 ~ 4200	18 ~ 54	92.0%		
240	ESM-240S105Mx	700 ~ 1050	115 ~ 343	94.0%	106,000 Tc= 70°C	218(201) × 76.5 × 38.5
	ESM-240S150Mx	1050 ~ 1500	80 ~ 229	93.5%		
	ESM-240S350Mx	2150 ~ 3500	35 ~ 111	93.0%		
	ESM-240S670Mx	4200 ~ 6700	18 ~ 57	92.5%		
320	ESM-320S105Mx	700 ~ 1050	153 ~ 457	95.0%	105,000 Tc= 70°C	243(224) × 85 × 44.5
	ESM-320S150Mx	1050 ~ 1500	107 ~ 305	94.5%		
	ESM-320S250Mx	1750 ~ 2500	64 ~ 183	94.5%		
	ESM-320S500Mx	2850 ~ 5000	32 ~ 112	94.0%		
	ESM-320S760Mx	5350 ~ 7600	21 ~ 60	94.0%		
480	ESM-480S140Mx	1050 ~ 1400	171 ~ 457	95.5%	100,000 Tc=70°C	262(243) × 90 × 43.5
	ESM-480S280Mx	2100 ~ 2800	86 ~ 228	95.5%		
	ESM-480S420Mx	3150 ~ 4200	57 ~ 152	95.0%		
	ESM-480S560Mx	4350 ~ 5600	43 ~ 110	95.0%		
	ESM-480S10AMx	8600 ~ 10000	24 ~ 56	95.0%		
680	ESM-680S170Mx/MGS	1250 ~ 1700	200 ~ 544	96.0%	102,000 Tc= 70°C	Mx: 275(250) × 135 x 46 MGS: 300(275) x 151 x 46
	ESM-680S240Mx/MGS	1800 ~ 2400	141.5 ~ 378	95.5%		
	ESM-680S350Mx/MGS	2600 ~ 3500	97.1 ~ 262	95.5%		
	ESM-680S560Mx/MGS	4200 ~ 5600	60.7 ~ 163	95.5%		
	ESM-680S840Mx/MGS	6300 ~ 8400	40.4 ~ 108	95.5%		
	ESM-680S15AMx/MGS	12600 ~ 15000	22.6 ~ 54	94.5%		
880	ESM-880S280Mx/MGS	1950 ~ 2800	157 ~ 452	96.0%	100,000 Tc= 70°C	Mx: 275(250)x144 x 48.5 MGS: 300(275) x 160 x 48.5
	ESM-880S420Mx/MGS	3000 ~ 4200	104 ~ 294	95.5%		
	ESM-880S700Mx/MGS	4900 ~ 7000	63 ~ 180	96.0%		
	ESM-880S11AMx/MGS	8000 ~ 11500	38 ~ 110	95.0%		
	ESM-880S20AMx/MGS	16300 ~ 20000	22 ~ 54	95.5%		
1200	ESM-1K2S350Mx/MGS	2600 ~ 3500	171 ~ 462	96.5%	101,000 Tc= 70°C	Mx: 310(285) × 141 × 48.5 MGS: 330(305) x 166.5 x 49.5
	ESM-1K2S525Mx/MGS	3950 ~ 5250	114 ~ 304	96.0%		
	ESM-1K2S740Mx/MGS	5550 ~ 7400	81 ~ 217	96.5%		

① : x=G are UL Recognized, ENEC and CCC, etc. models; x=T are UL Class P models.



Advantages

- High Efficiency (Up to 96%)
- Full Power at Wide Output Current Range (Constant Power)
- Adjustable Output Current (AOC) with NFC
- Input Voltage Range: 90 ~ 305Vac(EUM-Bx) 249-528Vac(ESM-Bx)
- Integrated Power Metering with High Accuracy up to $\pm 1\%$
- Output Lumen Compensation
- End-of-Life Indicator
- Thermal Sensing and Protection for LED Module
- Surge Protection: CM 6kV, DM10kV
- IP66 / IP67 and UL Dry / Damp / Wet Location
- TYPE HL, for Use in a Class I, Division 2 Hazardous (Classified) Location
- 7 Years Warranty

Dimming Functions

- DALI-2 and D4i Certified
- 3-Timer-Modes Dimmable
- Dim-to-Off with Low Standby Power

Safety Certifications



global-mark

About EUM-Bx

The EUM-Bx series is DALI-2 D4i certified, allowing for extensive health diagnostics tracking for the LED driver, seamless plug-and-play controls, and standardization of intra-luminaire designs. They are extremely flexible with wireless programmability via Near Field Communication (NFC) to help OEMs streamline production and simplify installation. The EUM-Bx series is Controls-Ready with Dim-to-Off and Always-On Auxiliary Power of 24Vdc, 125mA with a transient peak up to 10W. They also provide the added convenience of integrated power monitoring allowing users to measure energy consumption. The BG series provides a global cable to reduce inventory SKUs, the BT Series are UL Class P recognized, and the BB series are BIS certified to offer a solution for a wide range of applications and regions. Available also as DALI-2 in Class I and Class II (EUM-Ex and EUM-EE)

About ESM-Bx

The ESM-Bx series is DALI-2 D4i certified which allows the tracking and monitoring of health diagnostics for LED drivers, provides plug-and-play controls, and standardizes intra-luminaire designs. They are extremely flexible with wireless programmability via Near Field Communication (NFC) to help OEMs streamline production and simplify installation. The ESM-Bx series is Controls-Ready with Dim-to-Off and Always-On Auxiliary Power of 24Vdc, 125mA with a transient peak up to 10W. They also provide the added convenience of integrated power monitoring allowing users to measure energy consumption. The BG models utilize globally accepted cables that help reduce SKUs, the BT models provide UL Class P certification.

EUM-Bx



Output Power (W)	Product Name	Full-power Current Range(mA)	Output Voltage Range (Vdc)	Eff.@ 220Vac	Lifetime (hours)	Dimensions (L×W×H)(mm)
75	EUM-075S105Bx ^①	700 ~ 1050	36 ~ 107	90.5%	101,000 Tc= 70°C	142(125) × 67.5 × 36.5
	EUM-075S150Bx	1050 ~ 1500	25 ~ 72	89.5%		
	EUM-075S210Bx ★	1400 ~ 2100	18 ~ 54	89.0%		
100	EUM-100S105Bx	700 ~ 1050	48 ~ 143	92.5%	112,000 Tc= 70°C	148(131) × 67.5 × 36.5
	EUM-100S150Bx	1050 ~ 1500	34 ~ 95	92.5%		
	EUM-100S280Bx ★	1750 ~ 2800	17 ~ 54	91.0%		
150	EUM-150S105Bx	700 ~ 1050	72 ~ 214	93.5%	104,000 Tc= 70°C	178(161) × 67.5 × 36.5
	EUM-150S150Bx	1050 ~ 1500	50 ~ 143	93.0%		
	EUM-150S210Bx	1400 ~ 2100	36 ~ 107	92.5%		
	EUM-150S420Bx	2800 ~ 4200	18 ~ 54	91.5%		
200	EUM-200S105Bx	700 ~ 1050	95 ~ 286	93.5%	102,000 Tc= 70°C	188(171) × 67.5 × 36.5
	EUM-200S150Bx	1050 ~ 1500	67 ~ 190	93.5%		
	EUM-200S280Bx	1800 ~ 2800	36 ~ 111	93.0%		
	EUM-200S560Bx	3500 ~ 5600	18 ~ 57	92.0%		
240	EUM-240S105Bx	700 ~ 1050	115 ~ 343	94.0%	101,000 Tc= 70°C	218(201) × 67.5 × 38.5
	EUM-240S150Bx	1050 ~ 1500	80 ~ 229	93.5%		
	EUM-240S350Bx	2150 ~ 3500	35 ~ 111	93.0%		
	EUM-240S670Bx	4200 ~ 6700	18 ~ 57	92.5%		
320	EUM-320S105Bx	700 ~ 1050	153 ~ 457	94.5%	112,000 Tc=70°C	243(224) × 80 × 44.5
	EUM-320S150Bx	1050 ~ 1500	107 ~ 305	94.0%		
	EUM-320S250Bx	1750 ~ 2500	64 ~ 183	94.0%		
	EUM-320S500Bx	2850 ~ 5000	32 ~ 112	93.5%		
	EUM-320S760Bx	5350 ~ 7600	21 ~ 60	92.5%		
480	EUM-480S140BG	1050 ~ 1400	171 ~ 457	95.0%	110,000 Tc=70°C	262(243) × 90 × 43.5
	EUM-480S280BG	2100 ~ 2800	86 ~ 228	95.0%		
	EUM-480S420BG	3150 ~ 4200	57 ~ 152	94.0%		
	EUM-480S560BG	4350 ~ 5600	43 ~ 110	94.0%		
	EUM-480S10ABG	8600 ~ 10000	24 ~ 56	94.0%		
680	EUM-680S170BG	1250 ~ 1700	200 ~ 544	95.5%	107,000 Tc=70°C	275(250) × 135 × 46
	EUM-680S240BG	1800 ~ 2400	141.5 ~ 378	94.5%		
	EUM-680S350BG	2600 ~ 3500	97.1 ~ 262	95.0%		
	EUM-680S560BG	4200 ~ 5600	60.7 ~ 163	94.5%		
	EUM-680S840BG	6300 ~ 8400	40.4 ~ 108	95.0%		
	EUM-680S15ABG	12600 ~ 15000	22.6 ~ 54	95.5%		

★ : Class 2 Model

① : x=G are UL Recognized, ENEC and CCC, etc. models; x=T are UL Class P models; x=B are BIS models.

ESM-Bx

Output Power (W)	Product Name	Full-power Current Range(mA)	Output Voltage Range (Vdc)	Eff.@ 480Vac	Lifetime (hours)	Dimensions (L×W×H)(mm)
100	ESM-100S105Bx ^①	700 ~ 1050	48 ~ 143	92.0%	100,000 Tc=70°C	148(131) × 76.5 × 38.5
	ESM-100S150Bx	1050 ~ 1500	34 ~ 95	91.5%		
	ESM-100S280Bx	1750 ~ 2800	17 ~ 54	90.5%		
150	ESM-150S105Bx	700 ~ 1050	72 ~ 214	93.0%	100,000 Tc=70°C	178(161) × 76.5 × 38.5
	ESM-150S150Bx	1050 ~ 1500	50 ~ 143	93.0%		
	ESM-150S210Bx	1400 ~ 2100	36 ~ 107	92.5%		
	ESM-150S420Bx	2800 ~ 4200	18 ~ 54	92.0%		
240	ESM-240S105Bx	700 ~ 1050	115 ~ 343	94.0%	106,000 Tc=70°C	218(201) × 76.5 × 38.5
	ESM-240S150Bx	1050 ~ 1500	80 ~ 229	93.5%		
	ESM-240S350Bx	2150 ~ 3500	35 ~ 111	93.0%		
	ESM-240S670Bx	4200 ~ 6700	18 ~ 57	92.5%		
320	ESM-320S105Bx	700 ~ 1050	153 ~ 457	95.0%	105,000 Tc=70°C	243(224) × 85 × 44.5
	ESM-320S150Bx	1050 ~ 1500	107 ~ 305	94.5%		
	ESM-320S250Bx	1750 ~ 2500	64 ~ 183	94.5%		
	ESM-320S500Bx	2850 ~ 5000	32 ~ 112	94.0%		
	ESM-320S760Bx	5350 ~ 7600	21 ~ 60	94.0%		
480	ESM-480S140BG	1050 ~ 1400	171 ~ 457	95.0%	100,000 Tc=70°C	262(243) × 90 × 43.5
	ESM-480S280BG	2100 ~ 2800	86 ~ 228	94.0%		
	ESM-480S420BG	3150 ~ 4200	57 ~ 152	95.0%		
	ESM-480S560BG	4350 ~ 5600	43 ~ 110	94.5%		
	ESM-480S10ABG	8600 ~ 10000	24 ~ 56	94.5%		
680	ESM-680S170BG	1250 ~ 1700	200 ~ 544	96.0%	102,000 Tc=70°C	275(250) × 135× 46
	ESM-680S240BG	1800 ~ 2400	141.5 ~ 378	95.5%		
	ESM-680S350BG	2600 ~ 3500	97.1 ~ 262	95.5%		
	ESM-680S560BG	4200 ~ 5600	60.7 ~ 163	95.5%		
	ESM-680S840BG	6300 ~ 8400	40.4 ~ 108	95.5%		
	ESM-680S15ABG	12600 ~ 15000	22.6 ~ 54	94.5%		



① : x=G are UL Recognized, ENEC and CCC, etc. models; x=T are UL Class P models; x=B are BIS models.



Advantages

- Input Voltage Range: 180 ~ 528Vac (NFS-BC), 249-528Vac (NSS-BC)
- Non-Isolated Class I Driver
- No Afterglow
- Dim-to-Off with Standby Power $\leq 0.5W$ @ 230Vac(NFS)
- Dimming Range: 0.1%-100%
- Adjustable Output Current (AOC) with NFC
- Anode Output Connection (NFS-1K2D210BC)
2*600W Independent Programmable Channels & Support Common
- Anode Output Connection (NFS-1K8T210BC)
3*600W Independent Programmable Channels & Support Common
- Max Remote Distance Up to 300 Meter
- Ultra High Efficiency (Up to 97.5%)
- Full Power at Wide Output Current Range (Constant Power)
- Single-Channel (1*DT6 or 1*DMX) Operating Mode (NFS-600S210BC)
- Multi-Channel (2*DT6 or 2*DMX) Operating Mode (NFS-1K2D210BC)
- Multi-Channel (up to 3*DT6 or 3*DMX) Operating Mode (NFS-1K8T210BC)
- DALI-2/DMX-RDM Controls Up to 44 fps
- Integrated Power Metering with High Accuracy up to $\pm 1\%$
- Thermal Sensing and Protection for LED Module
- Low Inrush Current
- Output Lumen Compensation
- End-of-Life Indicator
- Input Surge Protection: DM 10kV, CM 10kV
- All-Around Protection: IOVP, IUVP, OVP, SCP, OTP, OPP
- IP66
- IK08 Enclosure
- 5-Year Warranty

About NFS-BC & NSS-BC

The NFS family features a non-isolated design, enhancing its ultrahigh efficiency performance. It incorporates a remarkably wide input range spanning from 180-528Vac and supports various dimming methods like DALI-2/D4i, DMX/RDM, etc. Additionally, the NFS family offers a junction box to streamline the luminaire design and provides 1-CH, 2-CH, and 3-CH output designs. Available also for Input Voltage 249-528Vac(NSS-BC)

Dimming Functions

DALI-2 and D4i Certified & DMX-RDM & 3-Timer-Modes Dimmable

Safety Certifications



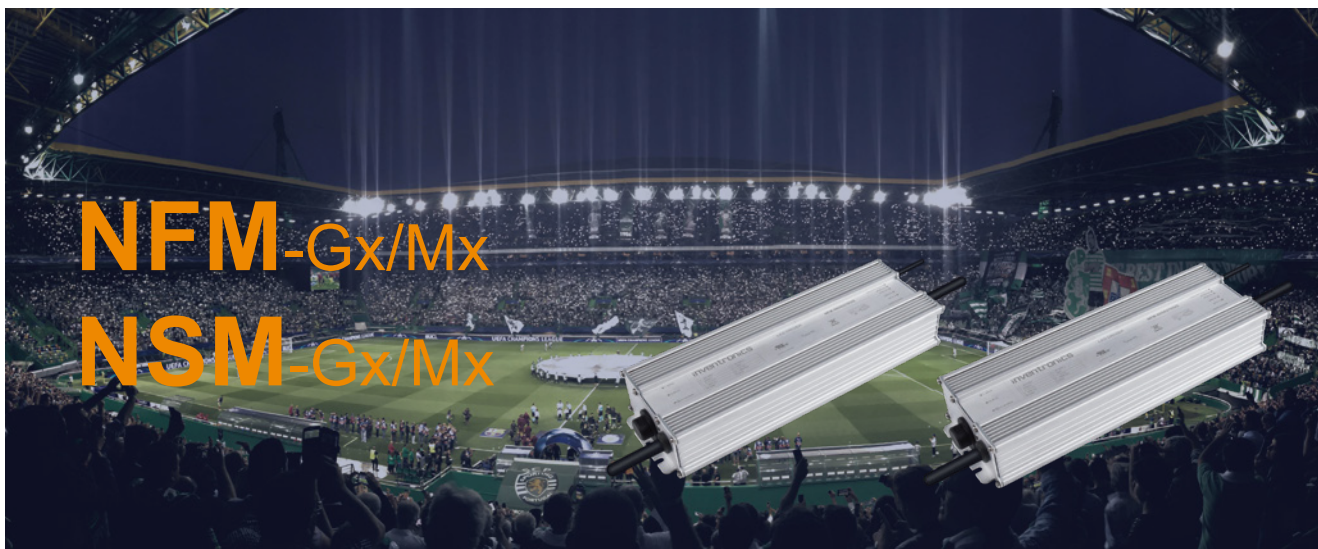
NFS-BC

Output Power (W)	Product Name	Full-power Current Range(mA)	Output Voltage Range (Vdc)	Eff.@480Vac	Lifetime (hours)	Dimensions (L×W×H)(mm)
600	NFS-600S210BC	1200 ~ 2100	176 ~ 500	97.0%	100,000 Tc=70°C	310 × 145 × 70
900	NFS-900S360BC	1800 ~ 3600	150 ~ 500	97.5%	100,000 Tc=70°C	310 × 145 × 70
1200	NFS-1K2D210BC	1200 ~ 2100	176 ~ 500	97.0%	100,000 Tc=70°C	500 × 152 × 80
1800	NFS-1K8T210BC	1200 ~ 2100	176 ~ 500	97.5%	115,000 Tc=70°C	500 × 152 × 80



NSS-BC

Output Power (W)	Product Name	Full-power Current Range(mA)	Output Voltage Range (Vdc)	Eff.@480Vac	Lifetime (hours)	Dimensions (L×W×H)(mm)
700	NSS-700S210BC	1400 ~ 2100	176 ~ 500	97.0%	100,000 Tc=70°C	310 × 145 × 70
1200	NSS-1K2S360BC	2400 ~ 3600	176 ~ 500	97.5%	102,000 Tc=70°C	310 × 145 × 70
1500	NSS-1K5D210BC	1500 ~ 2100	176 ~ 500	97.0%	100,000 Tc=70°C	500 × 152 × 80
2100	NSS-2K1T210BC	1400 ~ 2100	176 ~ 500	97.5%	110,000 Tc=70°C	500 × 152 × 80



NFM-Gx/Mx
NSM-Gx/Mx

Advantages

- Input Voltage Range: 180 ~ 528Vac (NFM-Gx/Mx), 249 ~ 528Vac (NSM-Gx/Mx)
- Non-Isolated Class I Driver
- No Afterglow
- Ultra High Efficiency (Up to 97.5%)
- Full Power at Wide Output Current Range (Constant Power)
- Adjustable Output Current (AOC) with NFC
- Adjustable Dimming Curve
- Hold Time Adjustable
- Fade Time Adjustable
- Always-on Auxiliary Power: 12Vdc, 250mA (Except DMX-RDM Mode)
- Minimum Dimming Level Supports 0.1% for DALI-2 and DMX-RDM (Gx Models)
- Minimum Dimming Level Supports 1% for 0-10V, PWM, Resistor, and Digital Dimming
- Controls Up to 44 fps
- Integrated Power Metering with High Accuracy Up to ±1%
- Low Inrush Current
- Output Lumen Compensation
- End-of-Life Indicator
- Input Surge Protection: DM 10kV, CM 10kV
- All-Around Protection: OPP, IOVP, IUVP, OVP, SCP, OTP
- IP66 / IP67 and UL Dry / Damp / Wet Location
- TYPE HL, for Use in a Class I, Division 2 Hazardous (Classified) Location
- 5-Year Warranty

About NFM-Gx/Mx & NSM-Gx/Mx

The NFM family features a non-isolated design that delivers highly efficient performance. It incorporates an exceptionally wide input range from 180-528Vac and supports multiple dimming methods including DALI-2/D4i, DMX/RDM, 0-10V, and more. Available also for Input Voltage 249-528Vac (NSM-Gx/Mx).

Dimming Functions

- DALI-2 and D4i Certified (Gx Model)
- DALI-2 & DMX-RDM Dimmable & 0-10V & PWM & 3-Timer-Modes Dimmable & Resistor (Gx Model)
- Adjustable 0-10V & PWM & 3-Timer-Modes Dimmable & Resistor (Mx Model)
- INV Digital Dimming, UART Based Communication Protocol

Safety Certifications



NFM-Gx/Mx

Output Power (W)	Product Name	Full-power Current Range(mA)	Output Voltage Range (Vdc)	Eff.@ 480Vac	Lifetime (hours)	Dimensions (L×W×H)(mm)
500	NFM-500S200Gx/Mx ^①	1000 ~ 2000	150 ~ 500	96.0%	120,000 Tc=70°C	262(245) × 76.5 × 38.5
680	NFM-680S270Gx/Mx	1360 ~ 2700	150 ~ 500	97.0%	120,000 Tc=70°C	275(256) × 90 × 43.5
880	NFM-880S350Gx/Mx	1760 ~ 3500	150 ~ 500	97.0%	120,000 Tc=70°C	275(253) × 108 × 44.5
1200	NFM-1K2S480Gx/Mx	2400 ~ 4800	150 ~ 500	97.5%	108,000 Tc=70°C	310(288) × 108 × 48.5
1600	NFM1K6S640Gx/Mx	3200 ~ 6400	150 ~ 500	98.0%	50,000 Tc=80°C	310(285) × 141 × 48.5

NSM-Gx/Mx

Output Power (W)	Product Name	Full-power Current Range(mA)	Output Voltage Range (Vdc)	Eff.@ 480Vac	Lifetime (hours)	Dimensions (L×W×H)(mm)
680	NSM-680S200Gx/Mx	1360 ~ 2000	150 ~ 500	97.0%	120,000 Tc=70°C	262(245) × 76.5 × 38.5
880	NSM-880S270Gx/Mx	1760 ~ 2700	150 ~ 500	97.5%	120,000 Tc=70°C	275(256) × 90 × 43.5
1200	NSM-1K2S350Gx/Mx	2400 ~ 3500	150 ~ 500	Gx: 97.0% Mx: 97.5%	120,000 Tc=70°C	275(253) × 108 × 44.5
1500	NSM-1K5S480Gx/Mx	3000 ~ 4800	150 ~ 500	97.5%	120,000 Tc=70°C	310(288) × 108 × 48.5
2000	NSM2K0S640Gx/Mx	4000 ~ 6400	150 ~ 500	98.0%	50,000 Tc=80°C	310(285) × 141 × 48.5

① : x = G are UL Recognized, ENEC and CCC, etc. models; x = T are UL Class P models



Advantages

- Ultra High Efficiency (Up to 95%)
- Input Voltage Range: 180 ~ 528Vac
- Full Power at Wide Output Current Range (Constant Power)
- Adjustable Output Current (AOC) with NFC
- DALI-2 and D4i Certified
- DALI-2&DMX-RDM Dimmable
- Multi-channel (up to 4*DT6 or 4*DMX) Operating Mode
- Controls Up to 44 fps
- Dim-to-Off
- Dimming Range: 0.1%-100%
- Always-on Auxiliary Power: 24Vdc, 125mA (Except DMX-RDM mode)
- Low Inrush Current
- Output Lumen Compensation
- End-of-Life Indicator
- Input Surge Protection: DM 6kV, CM 10kV
- All-Around Protection: IUVP, IOVP, OVP, SCP, OTP
- IP66 / IP67 and UL Dry / Damp / Wet Location
- TYPE HL, for Use in a Class I, Division 2 Hazardous (Classified) Location
- 5 Years Warranty

Dimming Functions

- DALI-2 & D4i & DMX-RDM
- DIM-to-off

Safety Certifications



About EFM-800Q/T

The EFM series is 800W, 3 or 4 channels, constant-current, programmable LED driver that operates from 180-528Vac input with excellent power factor. The dimming control supports DALI-2 & D4i & DMX-RDM with multiple channel output to enable dynamic color control in sports or outdoor lighting. It provides an auxiliary 24V output and dim-to-off functionality for powering low voltage, wireless controls.

Output Power (W)	Product Name	Full-power Current Range(mA)	Output Voltage Range (Vdc)	Eff.@480Vac	Lifetime (hours)	Dimensions (L×W×H)(mm)
200	EFM-800Q105BT	700 ~ 1050	150 ~ 286	95.0%	52,000 Tc=80°C	310(285) × 141 × 48.5
200		700 ~ 1050	150 ~ 286			
200		700 ~ 1050	150 ~ 286			
200		700 ~ 1050	150 ~ 286			
267	EFM-800T140BT	950 ~ 1400	150 ~ 286	95.0%	52,000 Tc=80°C	310(285) × 141 × 48.5
267		950 ~ 1400	150 ~ 286			
267		950 ~ 1400	150 ~ 286			





Advantages

- Three Independent Output Channels and Independent Dimming
- Independent Dimming and Dim-to-Off
- Power Transfer Settable When 100W Channel is Off Status (1K0D)
- 135W Channel Power Transfer (Optional) (1K2T Model)
- Ultra High Efficiency (Up to 95.0%)
- Input Voltage Range: 249 ~ 528Vac
- Full Power at Wide Output Current Range (Constant Power)
- Adjustable Output Current (AOC) with Programmability
- Maximum Dimming Level with 9V or 10V Selectable
- Fade Time Adjustable
- Always-on Auxiliary Power: 12Vdc, 250mA
- Low Inrush Current
- Output Lumen Compensation
- End-of-Life Indicator
- Input Surge Protection: DM 6kV, CM 10kV
- All-Around Protection: IOVP, IUVP, OVP, SCP, OTP
- Hot-Plugging Protection
- Parallel LED Protection
- IP66 / IP67 and UL Dry / Damp / Wet Location
- TYPE HL, for Use in a Class I, Division 2 Hazardous (Classified) Location
- 5-Year Warranty

About ESM-1K0D/1K2T

Inventronics 1000W/1200W products with multiple channels support 2/3-channel luminaires, allowing separate adjustment of current for each channel. These products also offer auxiliary voltage and Dim-to-Off functionality for powering low-voltage wireless controls. Additionally, they feature a power transfer function when a 100W channel is dimmed to off.

Dimming Functions

- Isolated 0-10V/PWM/3-Timer-Modes Dimmable
- INV Digital Dimming, UART Based Communication Protocol
- Dim-to-Off with Standby Power

Safety Certifications



Product Name	Channel	Output Power (W)	Full-power Current Range(mA)	Output Voltage Range (Vdc)	Eff. @ 220Vac	Lifetime (hours)	Dimensions (L×W×H)(mm)
ESM-1K0D610Mx ①	1	900	4600 ~ 6100	110 ~ 195	94.5%	119,000 Tc=70°C	349(324) × 144 × 48.5
	2	100	1850 ~ 2100	34 ~ 54			

Product Name	Channel	Output Power (W)	Full-power Current Range(mA)	Output Voltage Range (Vdc)	Eff. @ 480Vac	Lifetime (hours)	Dimensions (L×W×H)(mm)
ESM-1K2T570Mx	1	930	4600 ~ 5700	81 ~ 202	95.0%	120,000 Tc=70°C	379(354) × 144 × 48.5
ESM-1K2T570Mx	2	135	1850 ~ 2100	45 ~ 73	95.0%		
ESM-1K2T570Mx	3	135	1850 ~ 2100	45 ~ 73	95.0%		



① : x = G are UL recognized, ENEC, etc. models; x = T are UL recognized, etc. models.

IT 0-10 Non-isolated BRICK



Advantages

- Non-Isolated Design with Low Residual Output Voltage < 2 kV
- No Afterglow on Specific Models
- Ultra High Efficiency (Up to 97%)
- Full Power at Wide Output Current Range (Constant Power)
- Adjustable Output Current (AOC) with T4T (Tuner4TRONIC)
- Dim-to-Off with Standby Power ≤ 0.5 W
- Adjustable Dimming Curve
- Always-on Auxiliary Power: 12Vdc, 200mA
- End-of-Life Indicator
- Override Dimming
- Constant Lumen
- Additional port (BM+) for current setting via external Dip Switch
- Additional port (OP+) for external Light Sensor
- Input Surge Protection: DM 6kV, CM 6kV
- All-Around Protection: OTP, OVP, SCP

Dimming Functions

- Isolated 0(1)-10V/PWM/Resistor/AstroDIM(Timer)

About IT 0-10 Non-isolated BRICK

The BRICK IT 0-10 /100-277/N y series is a constant-current and IP20 rated LED driver that operates from 90-305Vac input with excellent power factor. Created for area lighting application, this family provides an auxiliary voltage and dim-to-off functionality for powering low voltage sensors. The dimming control supports 0(1)-10V, PWM dimming, resistor dimming, and AstroDIM dimming. The high efficiency of these drivers and compact metal case enables them to run cooler, significantly improving reliability and extending product life. To ensure trouble-free operation, protection is provided against input surge, output over voltage, short circuit, and over temperature.

Safety Certifications



EAN	Product Name	Output Power (W)	Connection	Adjustable Current Range(mA)	Min Dimming Output Current(mA)	Output Voltage (Vdc)	Efficiency (max.)	Dimensions (L×W×H) (mm)
6937186162281	IT 0-10 100/100-277/0A5/N E A12 OP	100	Push Terminal	33-500	33	180-300	96.0%	120.6 x 55 x 33
6937186162304	IT 0-10 150/100-277/0A75/N E A12 OP	150	Push Terminal	50-750	50	180-300	96.5%	120.6 x 55 x 33
6937186162328	IT 0-10 200/100-277/0A9/N E A12 OP	200	Push Terminal	67-900	67	180-300	96.0%	135.6 x 55 x 33
6937186162342	IT 0-10 240/100-277/1A1/N E A12 OP	240	Push Terminal	80-1100	80	180-300	97.0%	135.6 x 55 x 33
6937186162366	IT 0-10 320/100-277/1A6/N E A12 OP	320	Push Terminal	107-1600	107	180-300	96.5%	176.6 x 55 x 3
6937186162885	IT 0-10 100/100-277/0A5/N F A12 OP	100	Flying Leads	33-500	33	180-300	96.0%	120.6 x 55 x 33
6937186162908	IT 0-10 150/100-277/0A75/N F A12 OP	150	Flying Leads	50-750	50	180-300	96.5%	120.6 x 55 x 33
6937186162922	IT 0-10 200/100-277/0A9/N F A12 OP	200	Flying Leads	67-900	67	180-300	96.0%	135.6 x 55 x 33
6937186162946	IT 0-10 240/100-277/1A1/N F A12 OP	240	Flying Leads	80-1100	80	180-300	97.0%	135.6 x 55 x 33
6937186162960	IT 0-10 320/100-277/1A6/N F A12 OP	320	Flying Leads	107-1600	107	180-300	96.5%	176.6 x 55 x 3



① : x = G are UL recognized, ENEC, etc. models; x = T are UL recognized, etc. models.



Advantages

- Non-Isolated Design with Low Residual Output Voltage
- Independent Four Output Channels
- Output Power Transfer
- Limit the maximum input power or the maximum output power are selectable
- Full Power at Wide Output Current Range (Constant Power)
- Input Voltage Range: 180~528Vac(NFM), 249~528Vac (NSM)
- Adjustable Output Current (AOC) with Programmability
- Integrated Power Metering with High Accuracy up to $\pm 1\%$
- Hold Time Adjustable
- Fade Time Adjustable
- Always-on Auxiliary Power: 12Vdc, 500mA
- Low Inrush Current
- Output Lumen Compensation
- End-of-Life Indicator
- Input Surge Protection: DM 6kV, CM 10kV
- All-Around Protection: IUVP, IOVP, OVP, SCP, OTP, OPP
- 5 Years Warranty

About NFM-760Q NSM-1K2Q/1K5Q

The NFM series is a 4-channel, constant-current, programmable LED driver that operates from 180-528Vac input with excellent power factor, featuring a non-isolated design that delivers highly efficient performance. The dimming control supports two-way communication via Digital Dimming, a UART-based communication protocol with power transfer features to enable high-efficiency multi-channel solutions for horticultural lighting. Available also for Input Voltage 249-528Vac (NSM-Mx).

Dimming Functions

- INV Digital Dimming, UART Based Communication Protocol
- Dim-to-Off

Safety Certifications

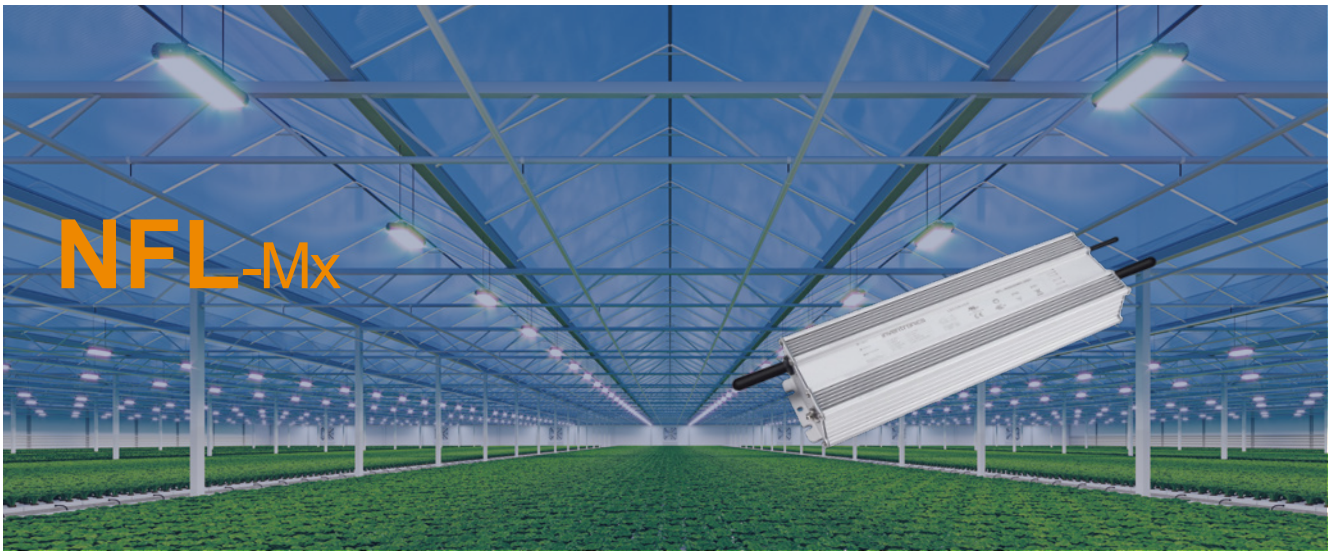


NFM-Mx-760Q

Output Power (W)	Product Name	Full-power Current Range(mA)	Output Voltage Range (Vdc)	Eff.@480Vac	Lifetime (hours)	Dimensions (L×W×H)(mm)
760	NFM-760Q250Mx	CH1:1040~2500 CH2/3/4:1400~2200	CH1:130~400 CH2/3/4:20~82	96.0%	50,000 Tc=80°C	384(359) × 90 × 48.5

NSM-MG/Mx-1K2Q/1K5Q

Output Power (W)	Product Name	Full-power Current Range(mA)	Output Voltage Range (Vdc)	Eff.@480Vac	Lifetime (hours)	Dimensions (L×W×H)(mm)
660	NSM-1K2Q200MG	1300 ~ 2000	200 ~ 500	95.5%	54,000 Tc=80°C	499(474) × 90 × 48.5
180		1400 ~ 2200	40 ~ 129			
180		1400 ~ 2200	40 ~ 129			
180		1400 ~ 2200	40 ~ 129			
1200	NSM-1K2Q200Mx	CH1:1300~2000 CH2/3/4:1400~2200	CH1:200~500 CH2/3/4:40~129	95.5%	54,000 Tc = 80°C	499(474)x 90 x 48.5
1500	NSM-1K5Q250Mx	CH1:1650~2500 CH2/3/4:1400~2200	CH1:230~500 CH2/3/4:40~161	97.0%	50,000 Tc=80°C	449(424) × 90 × 48.5



NFL-Mx

Advantages

- No Afterglow
- Hot-plugging Protection
- Parallel LED Protection
- Ultra High Efficiency (Up to 98.0%)
- Full Power at Wide Output Current Range (Constant Power)
- Adjustable Output Current (AOC) with Programmability
- Isolated 0-10V/PWM/Resistor/3-Timer-Modes Dimmable
- INV Digital Dimming, UART Based Communication Protocol
- Adjustable Dimming Curve
- Dim-to-Off with Standby Power $\leq 0.5W$
- Minimum Dimming Level with 5% or 10% Selectable
- Hold Time Adjustable
- Fade Time Adjustable
- Always-on Auxiliary Power: 12Vdc, 250mA
- Low Inrush Current
- Output Lumen Compensation
- End-of-Life Indicator
- Input Surge Protection: DM 6kV, CM 10kV
- All-Around Protection: IOVP, IUVP, OVP, SCP, OTP
- IP66/IP67 and UL Dry/Damp/Wet Location
- TYPE HL, for Use in a Class I, Division 2 Hazardous (Classified) Location
- 5 Years Warranty

Dimming Functions

- Isolated 0-10V/PWM/Resistor/3-Timer-Modes Dimmable
- INV Digital Dimming, UART Based Communication Protocol

About NFL-Mx

The NFL-1K0SxxxMx series is a 1000W, constant-current, programmable and IP66/IP67 rated LED driver that operates from 180-528Vac input with excellent power factor. Created for many lighting applications including high mast, sports, UV-LED, aquaculture and horticulture, etc. It provides an auxiliary voltage and dim-to-off functionality for powering low voltage, wireless controls. The dimming control supports 0-10V dimming as well as two-way communication via Digital Dimming, a UART based communication protocol. The high efficiency of these drivers and compact metal case enables them to run cooler, significantly improving reliability and extending product life. To ensure trouble-free operation, protection is provided against input surge, input under voltage, input over voltage, output over voltage, short circuit, and over temperature.

Safety Certifications



Output Power (W)	Product Name	Adjustable Current Range (mA)	Output Voltage Range (Vdc)	Eff.@ 480Vac	Lifetime (hours)	Dimensions (L×W×H)(mm)
1000	NFL-1K0S400Mx	200 ~ 4000	150 ~ 500	98.0%	120,000 Tc = 70°C	328(309) x 90 x 43.5
100	NFL-100S050Mx	33~500	180~300	94.0%	120,000 Tc = 70°C	MF: 281(257) x43.5x31.5 MG/MT: 291(267) x43.5x31.5



Advantages

- Ultra High Efficiency (Up to 97%)
- Non-Isolated Design with Low Residual Output Voltage
- No Afterglow
- Adjustable Output Current (AOC) with Programmability
- Input Voltage Range: 180 ~ 457 Vac
- Always-on Auxiliary Power: 12Vdc, 250mA
- Dim-to-Off with Standby Power $\leq 0.5W$
- Low Inrush Current
- Fade-Time Adjustable
- End-of-Life Indicator
- 5-Year Warranty

400W / 600W Features

- 43mm Width (Mx Model) / 40.5mm Width (MP Model)
- Maximum Dimming Level with 9V or 10V Selectable
- Isolated 0-10V / 10V PWM/Resistor / 3-Timer-Modes Dimmable
- IP65 and UL Dry/Damp Location (MF Model)
- IP66 / IP67 and UL Dry / Damp / Wet Location (MG/MT Models)
- IP20 (MP Model)
- Suitable for Luminaires with Protection Class I
- Input Surge Protection: DM 4 kV, CM 6 kV

1000W Features

- 90mm Width
- Maximum Dimming Level with 9V or 10V Selectable
- Minimum Dimming Level with 5% or 10% Selectable
- INV Digital Dimming, UART Based Communication Protocol
- Isolated 0-10V / PWM / Resistor / 3-Timer-Modes Dimmable
- IP66 / IP67 and UL Dry/Damp/Wet Location
- All-Around Protection: IOVP, IUVP, OVP, SCP, OTP
- Input Surge Protection: DM 6kV, CM 10kV

About NEL

The NEL family is a non-isolated, slim product designed for the horticulture industry and other applications requiring a linear form factor with a wide input voltage range of 180-457Vac. They provide high efficiency to reduce electricity consumption.

Safety Certifications



Output Power (W)	Product Name	Output Current (mA)	Output Voltage Range (Vdc)	Eff. @ 400Vac	Lifetime (hours)	Dimensions (L×W×H)(mm)
400	NEL-400S140MP	730 ~ 1400	150 ~ 550	97.0%	102,000 Tc= 70°C	452 × 40.5 × 40
	NEL-400S140Mx①	730 ~ 1400	150 ~ 550	97.0%	120,000 Tc=70°C	MF: 452(431) × 43 × 38 MG/MT: 462(441) × 43 × 38
600	NEL-600S220Mx	1100 ~ 2200	150 ~ 550	96.5%	103,000 Tc= 70°C	MF: 452(431) × 43 × 38 MG/MT: 462(441) × 43 × 38
1000	NEL-1K0S400Mx	2000 ~ 4000	150 ~ 500	97.5%	114,000 Tc= 70°C	310(291) × 90 × 43.5

① : P = Push Terminals ; x = F are UL Class P, ENEC, CE, etc. models with flying leads; x = G are UL Recognized, ENEC, CE, etc. models; x = T are UL Class P models



Advantages

- Non-Isolated Design with Low Residual Output Voltage < 2.0kV
- No Afterglow
- Ultra High Efficiency (Up to 97.0%)
- Full Power at Wide Output Current Range (Constant Power)
- Adjustable Output Current (AOC) with T4T
- Isolated 0(1)-10V/PWM/Resistor/AstroDIM(Timer) Dimmable
- Dim-to-Off with Standby Power ≤ 0.5 W
- Adjustable Dimming Curve
- End-of-Life Indicator
- Override Dimming
- Output Lumen Compensation
- Always-on Auxiliary Power: 12Vdc, 200mA
- Input Surge Protection: DM 6kV, CM 10kV
- All-Around Protection: OVP, SCP, OTP
- IP67
- Class P
- Suitable for Luminaires with Protection I

About IT 0-10 N P67

The IT 0-10 N P67 series features a non-isolated design that delivers highly efficient performance. This LED driver operates from 90–305Vac input with excellent power factor. The series provides an auxiliary voltage and dim-to-off functionality for powering low-voltage sensors. The dimming control supports 0(1)-10V, PWM dimming, resistor dimming, and AstroDIM dimming. Offering a stable, efficient, and all-round solution for global sports and area lighting.

Dimming Functions

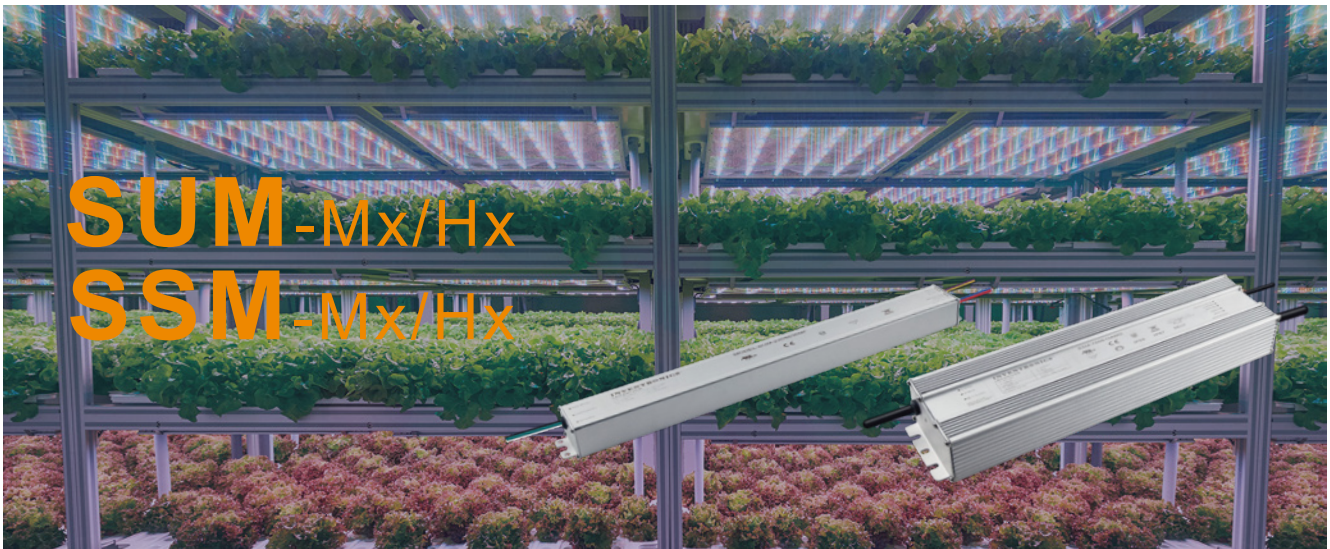
Isolated 0(1)-10V/PWM/Resistor/AstroDIM(Timer) Dimming Function

Safety Certifications



Output Power (W)	Product Name	Adjustable Current Range (mA)	Min Dimming Output Current (mA)	Output Voltage (Vdc)	Eff. @ 480Vac	Dimensions (L×W×H)(mm)
100	IT 0-10 100/100-277/0A5/N P67 G A12	33 ~ 500	33	180 ~ 300	97.0%	130(113) x 64 x 32
150	IT 0-10 150/100-277/0A75/N P67 G A12	50 ~ 750	50	180 ~ 300	97.0%	130(113) x 64 x 32
200	IT 0-10 200/100-277/0A9/N P67 G A12	67 ~ 900	67	180 ~ 300	97.0%	149(132) x 64 x 32
240	IT 0-10 240/100-277/1A1/N P67 G A12	80 ~ 1100	80	180 ~ 300	97.0%	149(132) x 64 x 32
320	IT 0-10 320/100-277/1A6/N P67 G A12	107 ~ 1600	107	180 ~ 300	97.0%	186(169) x 64 x 32





Advantages

- High Efficiency (Up to 96.0%)
- Full Power at Wide Output Current Range (Constant Power)
- Adjustable Output Current (AOC) with Programmability
- Input Voltage Range: 90 ~ 305Vac(SUM-Mx/Hx), 249 ~ 528Vac(SSM-Mx/Hx)
- Fade Time Adjustable
- Output Lumen Compensation
- End-of-Life Indicator
- TYPE HL, for Use in a Class I, Division 2 Hazardous (Classified) Location
- Input Surge Protection Up to: DM 6kV, CM 10kV
- 5-Year Warranty

Safety Certifications



110W, 220W, 330W, 440W Features

- 43.5mm Width
- Maximum Dimming Level with 9V or 10V Selectable
- Dim-to-Off with Standby Power ≤ 0.5 W (MF Models)
- Dim-to-Low-Voltage(DTLV) with Standby Power ≤ 0.5 W (HF Models)
- Isolated 0-10V / 10V PWM / Resistor / 3-Timer-Modes
- Always-on Auxiliary Power: 12Vdc, 250mA (MF Models)
- Low Inrush Current (Above 220W)
- IP65 and UL Dry / Damp Location
- All-Around Protection: OVP, SCP, OTP

760W, 1000W, 1500W Features

- 90mm Width
- Maximum Dimming Level with 9V or 10V Selectable
- Minimum Dimming Level with 5% or 10% Selectable
- INV Digital Dimming, UART Based Communication Protocol
- Isolated 0-10V / PWM / Resistor / 3-Timer-Modes
- Always-on Auxiliary Power: 12Vdc, 250mA
- Dim-to-Off with Standby Power ≤ 0.5 W
- Hot-Plugging Protection
- Parallel LED Protection
- IP66 / IP67 and UL Dry / Damp / Wet Location
- All-Around Protection: IOVP, IUVP, OVP, SCP, OTP

About SUM-Mx/Hx

The SUM family encompasses slim products tailored for the horticulture industry and other applications that require a linear form factor and can operate within an input voltage range of 90-305Vac. They provide high efficiency to reduce electricity consumption.

About SSM-Mx/Hx

The SSM family are slim products for the horticulture industry and other applications requiring a linear form factor with an input voltage range of 249-528Vac. They provide high efficiency to reduce electricity consumption.

SUM-Mx/Hx

Output Power (W)	Product Name	Full-power Current Range(mA)	Output Voltage Range (Vdc)	Eff.@ 220Vac	Lifetime (hours)	Dimensions (L×W×H)(mm)
110	SUM-110S105Mx ^① HF	700 ~ 1050	80 ~ 157	Mx:91.5% HF:91.0%	120,000 Tc=70°C	MF/HF: 210(186) × 43.5 × 31.5 MG/MT: 220(196) × 43.5 × 31.5
	SUM-110S260Mx/HF	1950 ~ 2600	30 ~ 56	Mx:91.0% HF:90.5%	120,000 Tc=70°C	
220	SUM-220S530Mx/HF	4100 ~ 5300	30 ~ 54	94.0%	120,000 TC=70°C	MF/HF: 296(272) × 43.5 × 31.5 MG/MT: 306(282) × 43.5 × 31.5
330	SUM-330S690Mx/HF	6100 ~ 6900	34 ~ 54	Mx:95.5% HF:95.0%	103,000 TC=70°C	MF/HF: 396(372) × 43.5 × 31.5 MG/MT: 406(382) × 43.5 × 31.5
440	SUM-440S920Mx/HF	8200 ~ 9200	34 ~ 54	94.0%	117,000 TC=70°C	MF/HF: 426(402) × 43.5 × 31.5 MG/MT: 436(412) × 43.5 × 31.5
760	SUM-760S15AMx	14000 ~ 15800	34 ~ 54	95.5%	102,000 Tc=70°C	379(354) × 90 × 48.5
1000	SUM-1K0S400Mx	3200 ~ 4000	175 ~ 312	95.0%	110,000 Tc=70°C	414(389) × 90 × 48.5
	SUM-1K0S840Mx	6720 ~ 8400	84 ~ 149	95.0%	110,000 Tc=70°C	414(389) × 90 × 48.5
	SUM-1K0S21AMx	18500 ~ 21000	34 ~ 54	95.5%	110,000 Tc=70°C	414(389) × 90 × 48.5
1500	SUM-1K5S600Mx	4000 ~ 6000	175 ~ 375	96.0%	104,000 Tc=70°C	489(464) × 90 × 48.5
	SUM-1K5S12AMx	10000 ~ 12500	84 ~ 150	96.0%	104,000 Tc=70°C	489(464) × 90 × 48.5
	SUM-1K5S31AMx	28000 ~ 31500	34 ~ 54	96.0%	104,000 Tc=70°C	489(464) × 90 × 48.5

① : x = G are UL Recognized, CE, etc. models; x = T are UL Recognized, CE(built-in-use), etc. models;
x = F are UL Recognized, CE(built-in-use) etc. models with flying leads.

SSM-Mx/Hx

Output Power (W)	Product Name	Full-power Current Range(mA)	Output Voltage Range (Vdc)	Eff.@ 480Vac	Lifetime (hours)	Dimensions (L×W×H)(mm)
220	SSM-220S530Mx ^① /HF	4100 ~ 5300	34 ~ 54	94.5%	116,000 TC=70°C	MF/HF: 336(312) × 43.5 × 31.5 MG/MT: 346(322) × 43.5 × 31.5
330	SSM-330S690Mx/HF	6100 ~ 6900	34 ~ 54	Mx: 95.0% HF: 94.5%	108,000 TC=70°C	MF/HF: 416(392) × 43.5 × 31.5 MG/MT: 426(402) × 43.5 × 31.5
440	SSM-440S920Mx/HF	8200 ~ 9200	34 ~ 54	95.0%	108,000 TC=70°C	MF/HF: 426(402) × 43.5 × 31.5 MG/MT: 436(412) × 43.5 × 31.5
760	SSM-760S15AMx	14000 ~ 15800	34 ~ 54	95.0%	111,000 Tc=70°C	379(354) × 90 × 48.5
1000	SSM-1K0S400Mx	3200 ~ 4000	175 ~ 312	96.0%	100,000 Tc=70°C	414(389) × 90 × 48.5
	SSM-1K0S840Mx	6720 ~ 8400	84 ~ 149	95.5%	100,000 Tc=70°C	414(389) × 90 × 48.5
	SSM-1K0S21AMx	18500 ~ 21000	34 ~ 54	96.0%	100,000 Tc=70°C	414(389) × 90 × 48.5
1500	SSM-1K5S600Mx	4000 ~ 6000	175 ~ 375	96.0%	100,000 Tc=70°C	489(464) × 90 × 48.5
	SSM-1K5S12AMx	10000 ~ 12500	84 ~ 180	95.5%	100,000 Tc=70°C	489(464) × 90 × 48.5
	SSM-1K5S31AMx	28000 ~ 31500	34 ~ 54	96.0%	100,000 Tc=70°C	489(464) × 90 × 48.5

① : x = G are UL Recognized, CE, etc. models; x = T are UL Recognized, CE(built-in-use), etc. models; x = F are UL Recognized, CE(built-in-use) etc. models with flying leads.



SUM-MGS/MGR SSM-MGS/MGR

Advantages

- Ultra High Efficiency (Up to 96%)
- Full Power at Wide Output Current Range (Constant Power)
- Input Voltage Range: 90 ~ 305Vac(SUM-MGS/MGR), 249 ~ 528Vac(SSM-MGS/MGR)
- Adjustable Output Current (AOC) with Programmability
- INV Digital Dimming, UART Based Communication Protocol
- Minimum Dimming Level with 5% or 10% Selectable
- Maximum Dimming Level with 9V or 10V Selectable
- Fade Time Adjustable
- Always-on Auxiliary Power: 12Vdc, 250mA
- Hot-plugging Protection
- Parallel LED Protection
- Low Inrush Current
- Output Lumen Compensation
- End-of-Life Indicator
- Input Surge Protection: DM 6kV, CM 10kV
- All-Around Protection: IOVP, IUVP, OVP, SCP, OTP
- 5-Year Warranty

SUM-MGS/SSM-MGS Version Features

- Panel Mount Connectors Facilitate Installation
- IP66/IP67 and UL Dry/Damp/Wet Location
- TYPE HL, for Use in a Class I, Division 2 Hazardous (Classified) Location

SUM-MGR/SSM-MGR Version Features

- Mount Connectors Facilitates Installation
- Rotary Switch+RJ12 Connector
- IP66 and UL Dry/Damp/Wet Location

About SUM-MGS/MGR & SSM-MGS/MGR

The SUM-MGS/MGR series is a constant-current, programmable LED driver that operates from 90-305Vac input designed for many lighting applications, including high mast, sports, UV-LED, aquaculture, horticulture, etc. It provides panel mount connectors to facilitate installation. It offers a rotary switch, RJ12 connector, and dim-to-off functionality. The dimming control supports 0-10V dimming and two-way communication via Digital Dimming, a UART-based communication protocol. The high efficiency of these drivers and compact metal case enables them to run cooler, significantly improving reliability and extending product life. To ensure a trouble-free operation, protection is provided against input surge, input under-voltage, input over-voltage, output over-voltage, short circuit, and over-temperature. Available also for Input Voltage 249-528Vac (SSM-MGR/MGS).

Dimming Functions

- Isolated 0-10V/PWM/Resistor/3-Timer-Modes Dimmable
- Dim-to-Off with Standby Power $\leq 0.5W$

Safety Certifications



global-mark

SUM-MGS/MGR

Output Power (W)	Product Name	Full-power Current Range(mA)	Output Voltage Range (Vdc)	Eff.@ 220Vac	Lifetime (hours)	Dimensions (L×W×H)(mm)
760	SUM-760S15AMGS	14000 ~ 15800	34 ~ 54	95.5%	102,000 Tc=70°C	415(390) × 108 × 48.5
	SUM-760S15AMGR	14000 ~ 15800	34 ~ 54	95.5%	102,000 Tc=70°C	415(390) × 108 × 48.5
1000	SUM-1K0S400MGS	3200 ~ 4000	175 ~ 312	95.0%	110,000 Tc=70°C	450(425) × 108 × 48.5
	SUM-1K0S840MGS	6720 ~ 8400	84 ~ 149	95.0%		
	SUM-1K0S20AMGS	18500 ~ 20000	34 ~ 54	95.5%		
	SUM-1K0S400MGR	3200 ~ 4000	175 ~ 312	95.0%	110,000 Tc=70°C	450(425) × 108 × 48.5
	SUM-1K0S840MGR	6720 ~ 8400	84 ~ 149	95.0%		
	SUM-1K0S20AMGR	18500 ~ 20000	34 ~ 54	95.5%		

SSM-MGS/MGR

Output Power (W)	Product Name	Full-power Current Range(mA)	Output Voltage Range (Vdc)	Eff.@ 480Vac	Lifetime (hours)	Dimensions (L×W×H)(mm)
760	SSM-760S15AMGS	14000 ~ 15800	34 ~ 54	95.0%	111,000 Tc=70°C	415(390) × 108 × 48.5
	SSM-760S15AMGR	14000 ~ 15800	34 ~ 54	95.0%	111,000 Tc=70°C	415(390) × 108 × 48.5
1000	SSM-1K0S400MGS	3200 ~ 4000	175 ~ 312	96.0%	100,000 Tc=70°C	450(425) × 108 × 48.5
	SSM-1K0S840MGS	6720 ~ 8400	84 ~ 149	95.5%		
	SSM-1K0S20AMGS	18500 ~ 20000	34 ~ 54	96.0%		
	SSM-1K0S400MGR	3200 ~ 4000	175 ~ 312	96.0%	100,000 Tc=70°C	450(425) × 108 × 48.5
	SSM-1K0S840MGR	6720 ~ 8400	84 ~ 149	95.5%		
	SSM-1K0S20AMGR	18500 ~ 20000	34 ~ 54	96.0%		

PU-10Kx05KBxA



■ Features

- 90-305Vac Working Input Voltage
- Uoc=10kV & In=5kA
- Certified for both EN 61643-11 - T2 & T3
- Protection Mode for TN, TT and IT-Systems
- Available for Series & Parallel Installation
- Available for Class I & Class II luminaires
- Double Thermally Protected
- End-of-life LED Indicator
- High Temperature, 85°C Maximum Surface Temp
- Input Over Voltage Protection at 440Vac with 48 Hours
- IP66 / IP67

PU-20Kx10KTxx



■ Features

- Compatible with Inventronics LED Drivers
- 90-305Vac Working Input Voltage
- 15 kA Maximum, 10 kA Nominal (15 strikes) Surge Current Rating Using Industry Standard 8/20µs Wave
- UL1449 Type 4, EN 61643-11 – Surge Protective Devices T2 & T3
- IEEE C62.41.2 Location Category C High
- High Temperature, 85°C Maximum Ambient
- Flameproof Plastic Enclosure
- IP66

PU-20KS10KHT



■ Features

- Compatible with Inventronics LED Drivers
- 90-305Vac Working Input Voltage
- DM, CM Surge Protection Mode
- Maximum Discharge Current (Imax) 20kA, 8/20µs
- Nominal Discharge Current (In) 10kA, 8/20µs
- UL1449 Type 5 Recognized Component
- IEEE C62.41.2 Location Category C High Exposure
- High Temperature, 85°C Maximum Surface Temp Rating

PS-20KS10KHT



■ Features

- Compatible with Inventronics LED Drivers
- 249-528Vac Working Input Voltage
- DM, CM Surge Protection Mode
- Maximum Discharge Current (Imax) 20kA, 8/20µs
- Nominal Discharge Current (In) 10kA, 8/20µs
- UL1449 Type 5 Recognized Component
- IEEE C62.41.2 Location Category C High Exposure
- High Temperature, 85°C Maximum Surface Temp Rating

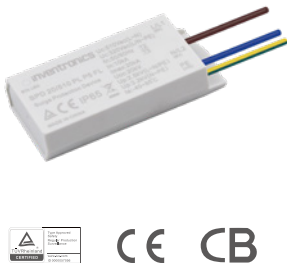
SPD G3



■ Features

- Mains Voltage to 320Vac
- Suitable for Luminaries of Protection Class I/II
- Fully LED Driver Protection by Up <2kV
- High Surge Protection of Up to 20 kV / 10 kA (L-N); Comply with IEC 61643-11 - T3
- Maximum Surge Protection of Up to 20 kA; Comply with IEC 61643-11 - T2
- TÜV Approved Acc. to IEC 61643-11 – T2 & T3
- IP20 (SPD G3)
- IP65 (SPD P5 G3)

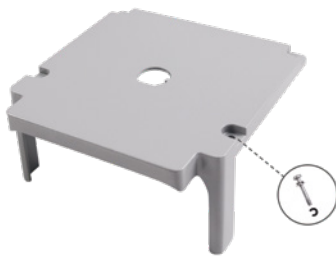
SPD 20/510 PL P5



■ Features

- Maximum Continuous Operating Voltage (L-N/L1-L2): 510Vac
- Maximum Continuous Operating Voltage (L-PE/N-PE): 320Vac
- L-N, L-PE and N-PE Protection Mode
- Suitable for TN Systems
- Maximum Discharge Current (Imax) 20kA, 8/20us
- Nominal Discharge Current (In) 10kA, 8/20us
- Open Circuit Voltage (Uoc) 20kV, 1.2/50μs
- Thermally Protected
- End-of-life LED Indicator
- EN 61643-11 – T2 & T3
- IEC 61643-11 - Test Class II & Class III
- Parallel Installation
- IP65

ACC-LID-NFS



■ Features

- Lid with Standard Mounting Hole for ZHAGA BOOK18 Socket
- Easy assembly And Spare Accessories are Included
- Suitable for Inventronics NFS & NSS Series Drivers

ACC-RVS-NFS-XXX



■ Features

- LED- to PE Protection Mode
- Parallel Installation
- Suitable for Inventronics NFS&NSS&NFM&NSM Series Drivers



Advantages

- 2 standard color mixes recipes for different applications
- Module efficacy: up to 3.6 $\mu\text{mol}/\text{J}$ (@rated conditions)
- PF up to 85 $\mu\text{mol}/\text{s}$ (@rated conditions)
- Average lifetime (L90B10): up to 70,000 (up to temperature at $T_p = 60^\circ\text{C}$)
- Thermal protection by NTC on the LED Module
- Maximum working voltage 550 V for the system
- Geometry according to Zhaga Book 15
- Customized solutions (color-mix & form factor) possible
- Perfect fit to OPTOTRONIC HC and Industry Drivers
- Compatible to standard outdoor and industry optics, e.g. Lediil Strada series

Safety Certifications



EAN	Product Name
6942736275052	PlantaSeed R90B10
6942736275076	PlantaSeed R30W70

More Technical Data





Advantages

- 5-year system warranty when paired with OPTOTRONIC constant current LED power supplies
- 120° viewing angle per module
- Available module length: 1 ft/280 mm or 2 ft/560mm
- Dimensions: 280 mm or 560 mm x 20 mm x 6 mm
- Dimmable by OPTOTRONIC LED driver
- For operation with suitable OPTOTRONIC control gears
- Geometry according to Zhaga Book 7 L28W2 and L56W2
- Lifetime (L85 B10): up to 60,000 h (temperature at tc = 80 °C)
- Max. working voltage: 250 V
- Max. working voltage: 60 V (to be operated only on SELV LED control gear)
- PF up to 80 µmol/s (@rated conditions)
- Adjustable luminous flux, efficacy and lifetime
- Future-proof thanks to Zhaga conformity
- High homogeneity thanks to small LED pitch
- Optimized LED layout to deliver uniform light output
- Perfect fit to OPTOTRONIC HC and Industry Drivers
- SELV or non-isolated modules for easy luminaire design
- System guarantee in combination with OPTOTRONIC control gear and match with other driver portfolio
- Type of protection: IP00

Safety Certifications



EAN	Product Name
6942736275090	Planta Seed PL-LIN-RW 280x20 LV/HV
6942736275113	Planta Seed PL-LIN-RWFR 280x20 LV/HV
6942736275137	Planta Seed PL-LIN-RW 560x20 LV
6942736275151	Planta Seed PL-LIN-RW 560x20 HV
6942736275199	Planta Seed PL-LIN-RWFR 560x20 LV

More Technical Data



▶ APAC Region

Inventronics Hangzhou - Headquarters

Inventronics Science and Technology Park, #459 Jianghong Road,
Binjiang District, Hangzhou, Zhejiang, China, 310052
Tel: +86-571-56565800
E-mail: sales@inventronicsglobal.com

Inventronics Shenzhen

2F,Block B,Jianxing Technology Building,No.3151 Shahe West
Road,Nanshan District, Shenzhen
Tel: +86-571-56565800
E-mail: sales@inventronicsglobal.com

Inventronics Indonesia

JB Tower 10th floor
Jl. Kebon Sirih no. 48-50 Gambir,Jakarta, 10110, Indonesia
Tel: +62 21 5095 8096
Email: id-sales@inventronicsglobal.com

Inventronics Singapore

7 Holland Village Way,
Lobby B, #05-03 / 04 / 05,
Singapore 275748
Tel: +65 9337 5247
E-mail: sg-sales@inventronicsglobal.com

Inventronics Guangzhou

Room 1105-1107, Clifford Corporate Center Building
No. 15, Fuhua Road, Clifford Estate 511496 Panyu,Guangzhou
City, Guangdong Province, PRC
E-mail: ds_mktg@inventronicsglobal.com

Inventronics Japan

Regus Business Center, Shin Kokusai Building 8F, 3-4-1
Marunouchi, Chiyoda-Ku, Japan 100-0005
Tel: +81-9055297496
Email: jp-sales@inventronicsglobal.com

Inventronics Korea

Suite-615, 501, Teheran-ro, Gangnam-gu, Seoul, Republic of
Korea (06168)(V-flex)
E-mail: kr-sales@inventronicsglobal.com

Inventronics Malaysia

Level 4, Uptown 7, Jalan SS21/39, Damansara Utama,
47400 Petaling Jaya, Selangor, Malaysia
Tel: +6012 398 1085
E-mail: my-sales@inventronicsglobal.com

▶ Europe Region

Inventronics Netherlands

Polluxstraat 21, 5047 RA Tilburg, The Netherlands
Tel: +31-857-470-061
Email: eu-sales@inventronicsglobal.com

Inventronics Italy

Via Castagnole 65/A, 31100 Treviso, Italy
Email: support@inventronicsglobal.com

Inventronics Germany

Parking 31-33, 85748 Garching, Germany
Email: support@inventronicsglobal.com

Inventronics France

18 Rue Gaston Romazzotti, 67120 Molsheim, France
Tel: +33 3 68 41 88 99
Email: support@inventronicsglobal.com

▶ Americas Region

Inventronics USA

2825 S Tulsa Ave. Oklahoma City, OK 73108 USA
Tel: +1-405-600-7480
E-mail: usa-sales@inventronicsglobal.com

Inventronics Brazil

Barueri/SP, Brazil
Tel: +55(11)2680-8310
E-mail: brazilsales@inventronicsglobal.com

Inventronics Mexico

Carretera San Martín de las Flores #520
Building 8A Parque Industrial Prologis El Salto
San Pedro Tlaquepaque, Jalisco, Mexico
Tel: +521 3338634039
E-mail: usa-sales@inventronicsglobal.com

▶ MEA Region

Inventronics UAE

#405 E wing HQ Building, DSO, Dubai, UAE
E-mail: support@inventronicsglobal.com

▶ India Region

Inventronics India

Head Office: 4th & 5th Floor, B-Wing, Skyheights, Valipeer Road,
Kalyan (west), Pin Code-421301
Factory: Survey No.15, All India Logistics Park, Janval Village, Lonad
Village Road, Taluka- Bhiwandi -421 302-Thane
Tel: +91-9845054416
E-mail: in-sales@inventronicsglobal.com



Scan this QR code for
more regional sales
contacts.



inventronicsglobal.com