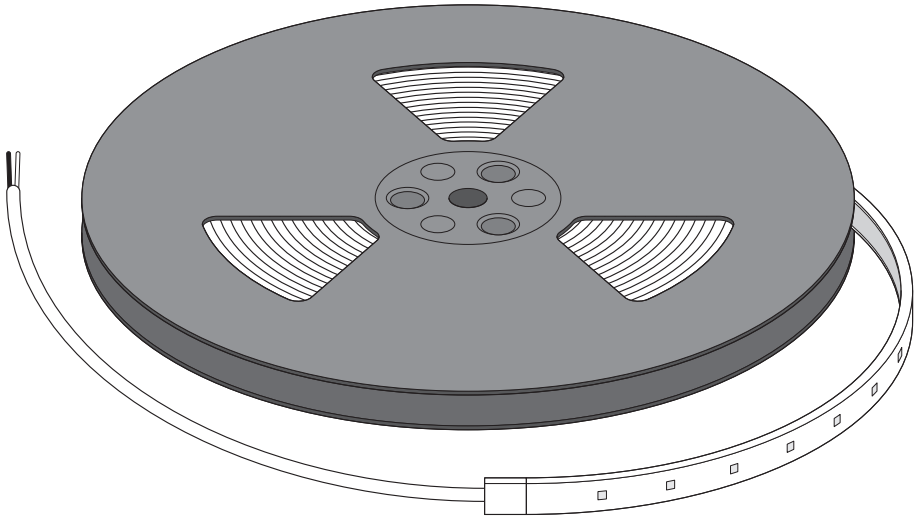


Tec FLEX NeoGen Protect

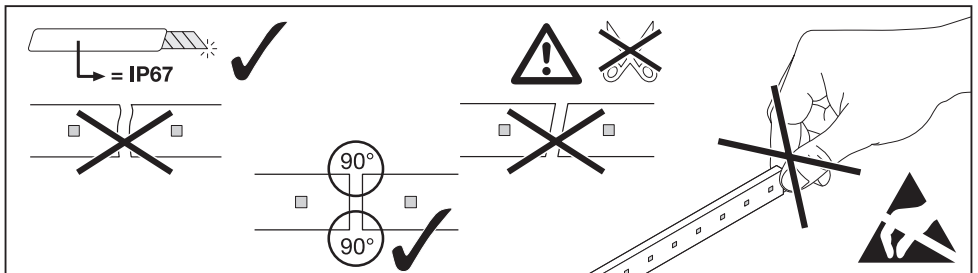
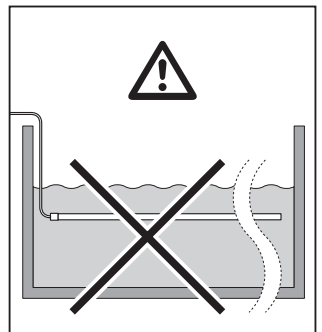
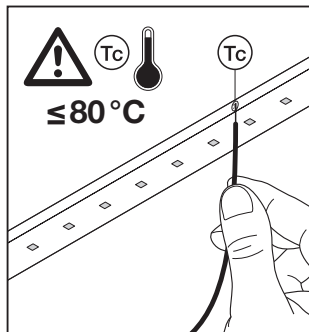
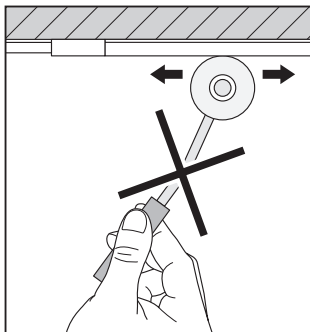
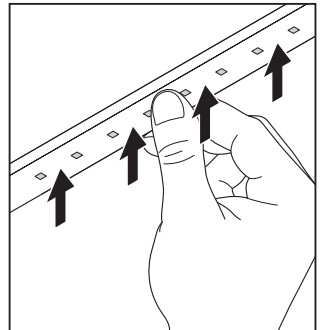
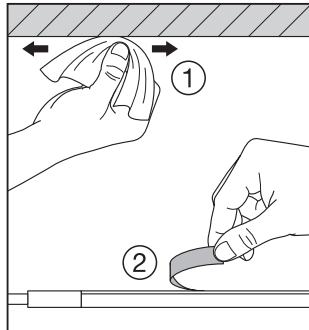
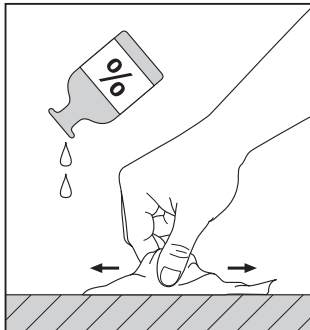
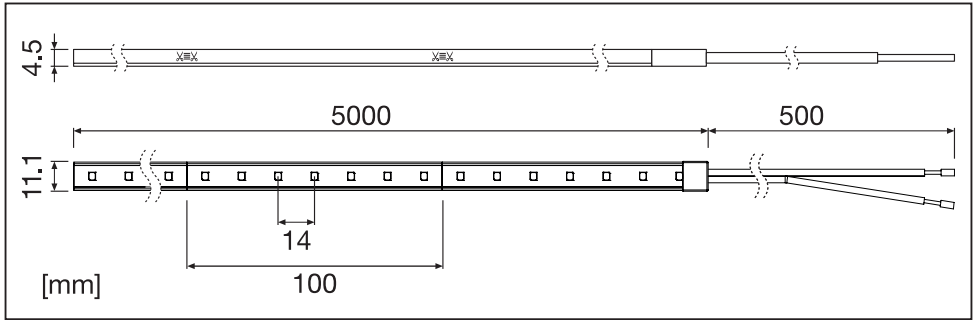
TFP600-NG2-24

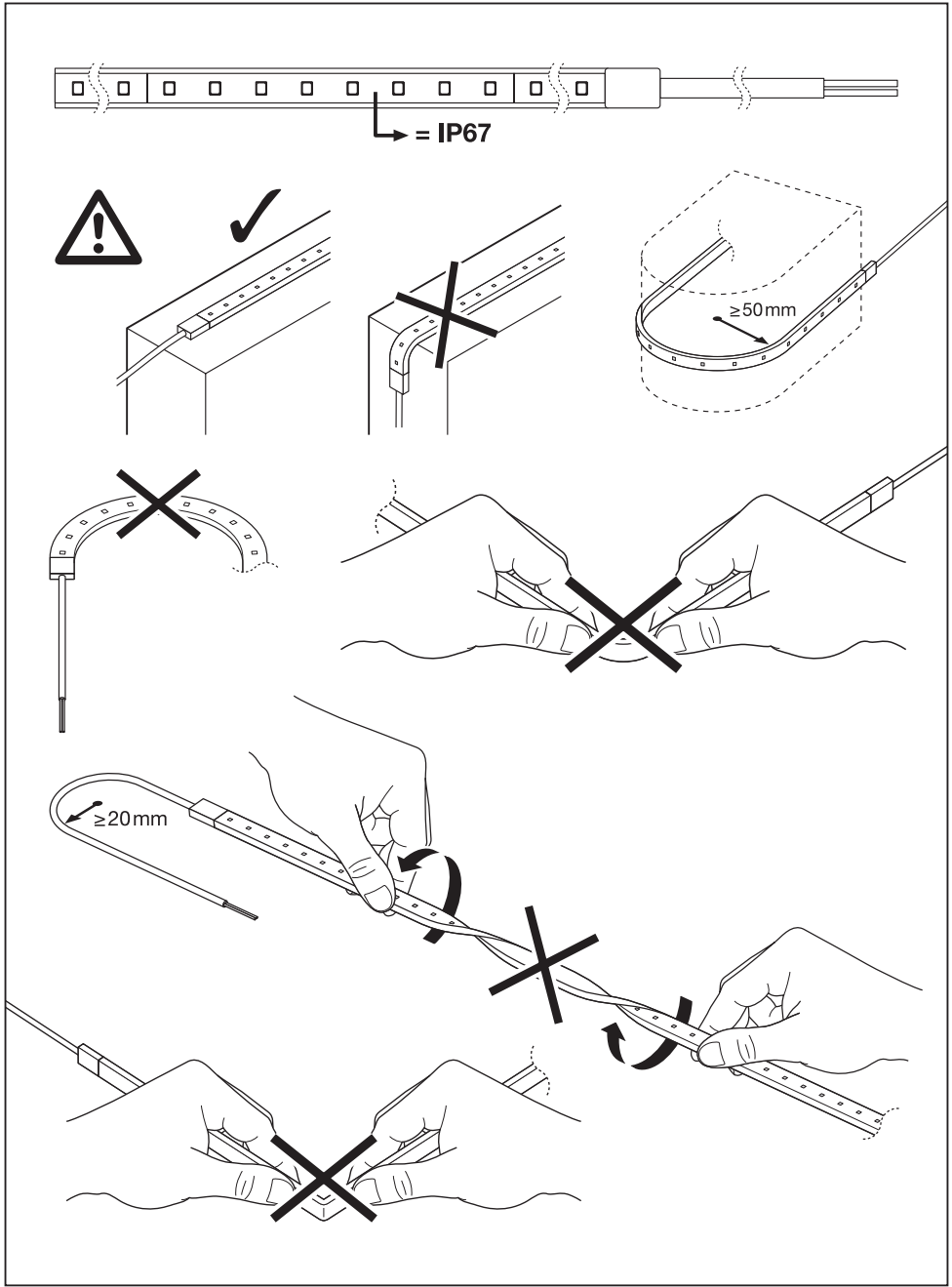
TFP1000-NG2-24

TFP2000-NG2-24



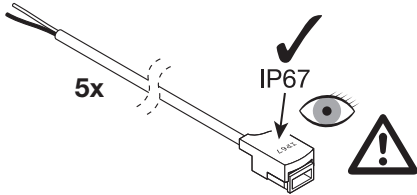
	V	W/m	W	A/m	A	Δ	T _c [°C]	T _s [°C]	↔
TFP600-NG2-24	24	4.5	22.5	0.188	0.938	120°	≤ 85 °C	-40...+85 °C	≤ 5000mm
TFP1000-NG2-24	24	7.7	38.5	0.321	1.604	120°	≤ 85 °C	-40...+85 °C	≤ 5000mm
TFP2000-NG2-24	24	15.3	76.5	0.638	3.188	120°	≤ 85 °C	-40...+85 °C	≤ 5000mm



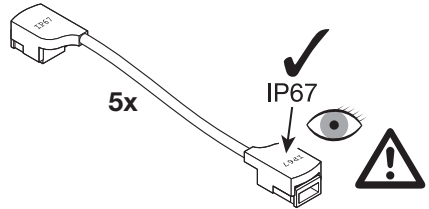


IP67

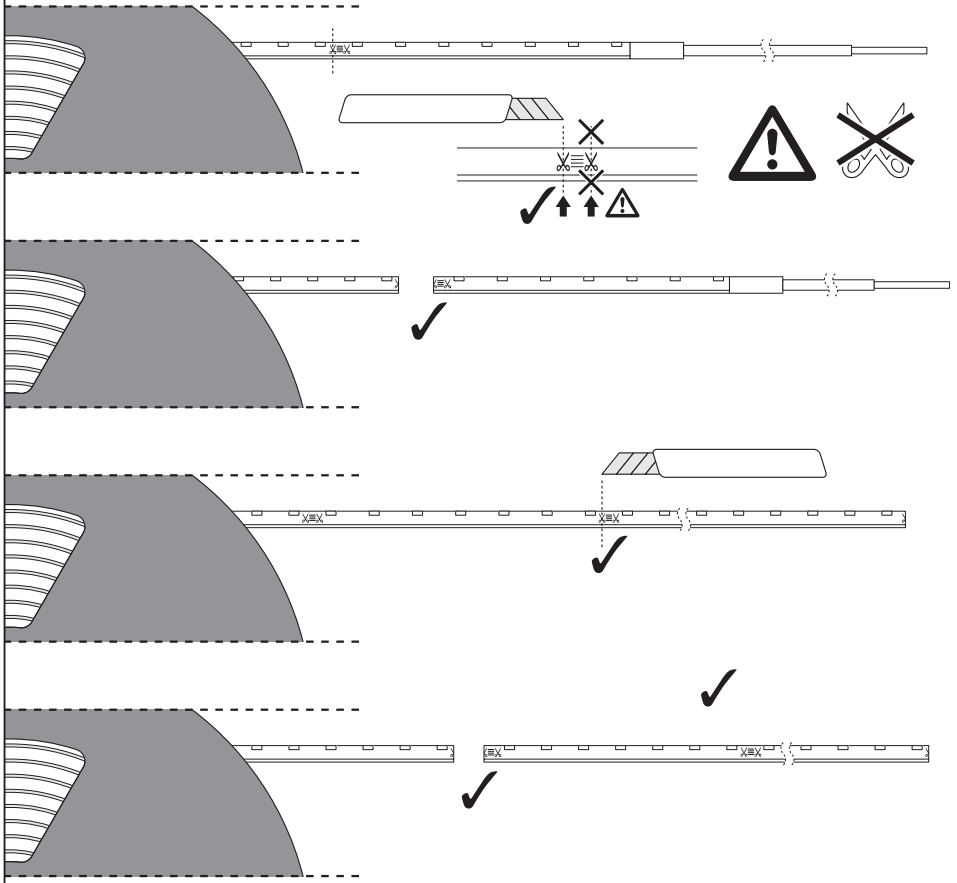
CONN-FLEX-IP67-2P KIT 5PCS
EAN 6937186141064



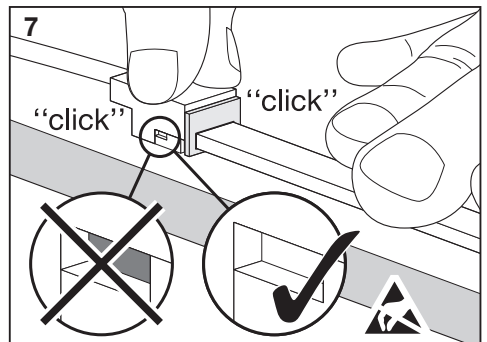
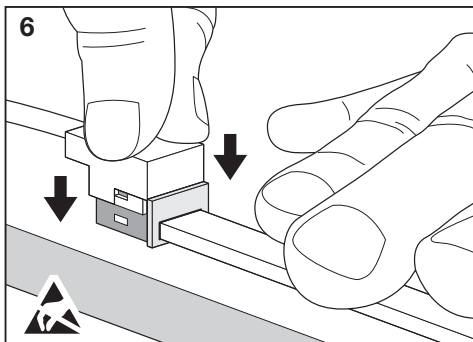
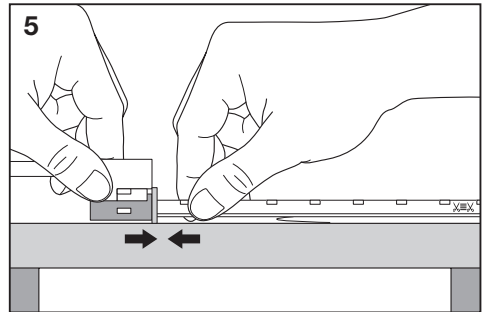
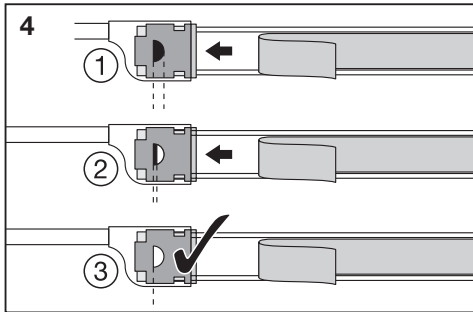
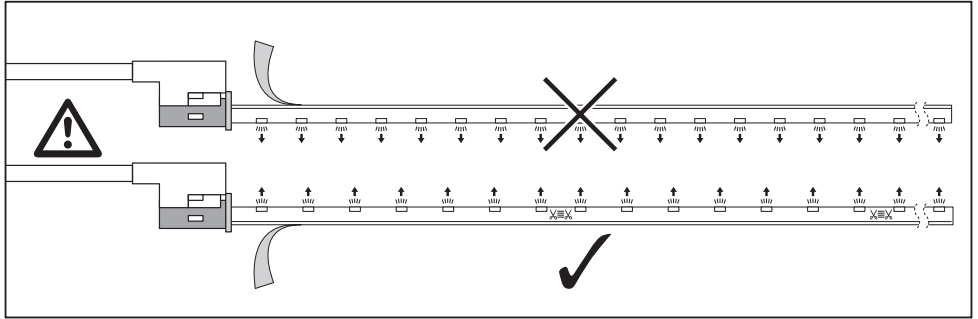
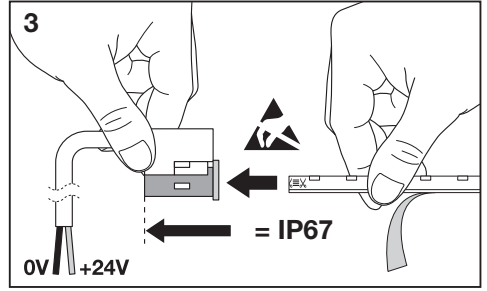
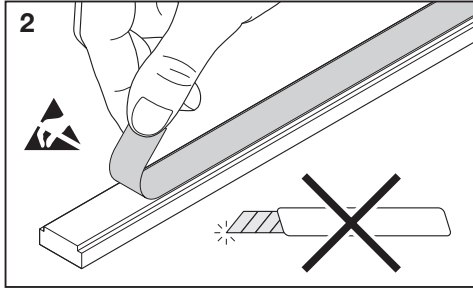
JUMPER-FLEX-IP67-2P KIT 5PCS
EAN 6937186141040

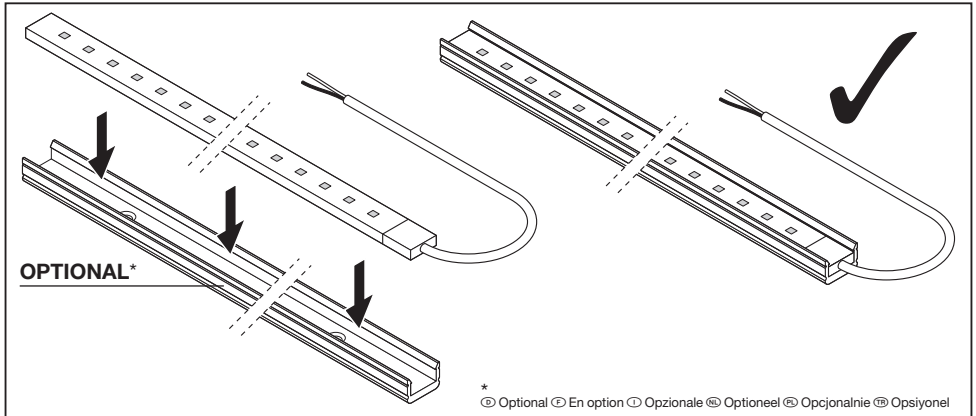
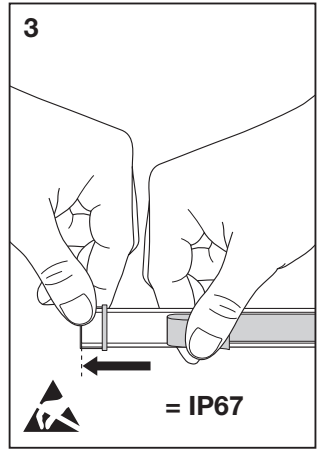
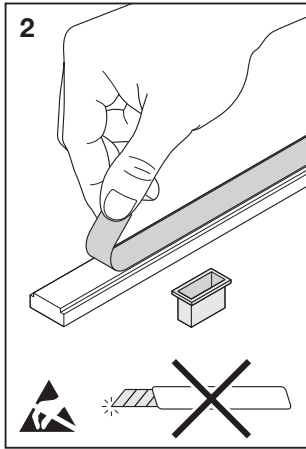
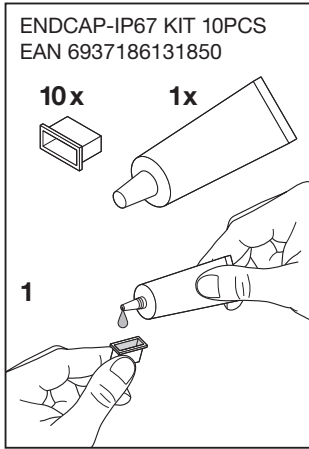


1

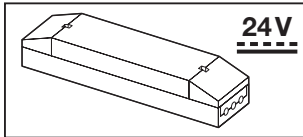


In case of cut module, make sure INVENTRONICS logo is present/visible in each installed module.¹⁾





- Ⓓ 1) Bei geschnittenen Modulen ist darauf zu achten, dass das INVENTRONICS-Logo in jedem installierten Modul vorhanden/sichtbar ist.
- ⒼⒸ 1) In case of cut module, make sure INVENTRONICS logo is present/visible in each installed module.
- Ⓕ 1) En cas de découpe du module, assurez-vous que le logo INVENTRONICS soit présent/visible sur chaque module installé.
- Ⓘ 1) In caso di taglio del modulo, assicurarsi che il logo INVENTRONICS sia presente/visibile su ogni modulo installato.
- ⓃⓁ 1) In geval van een ingekort module, zorg ervoor dat het INVENTRONICS-logo zichtbaar is op elk geïnstalleerd module.
- ⓅⓁ 1) W przypadku przycięcia modułu należy upewnić się, że logo INVENTRONICS jest obecne/widoczne na każdym zainstalowanym module.
- ⓉⓇ 1) Modül kesildiği takdirde, her takılan modülde INVENTRONICS logosunun mevcut/görünür olduğundan emin olun.



C^{RU} US

≤4.16 A, suitable for dry and damp locations.
Class 2 power supply unit*

*
 ☐ Geeignet für trockene und feuchte Orte. Netzgerät der Klasse 2 ☐ Approprié pour une utilisation dans des endroits secs et humides. Bloc d'alimentation de classe 2
 ☐ Adatto per ambienti secchi o umidi. Alimentatore Classe 2 ☐ Geschikt voor droge en vochtige locaties. Voedingskast klasse 2 ☐ Nadaje się do suchych i wilgotnych pomieszczeń. Zasilacz klasy 2 ☐ Kuru ve nemli yerler için uygundur. Sınıf 2 güç kaynağı ünitesi

- ☐ Εισαγωγέας: Inventronics Netherlands B.V., Polluxstraat 21, 5047RA Tilburg
- ☐ Forgalmazó: Inventronics Netherlands B.V., Polluxstraat 21, 5047RA Tilburg
- ☐ Inventronics Poland Sp. z o.o., Al. Jerozolimskie 94, 00-607 Warsaw, Poland
- ☐ Inventronics Turkey Teknoloji Ticaret Limited Şirketi, Büyükdere Cad. Bahar Sok. River Plaza No: 13/5 Sisli 34394 Istanbul, Turkey
- ☐ Uvoznik: Inventronics Netherlands B.V., Polluxstraat 21, 5047RA Tilburg
- ☐ Inventronics Netherlands B.V., Polluxstraat 21, 5047RA Tilburg
- ☐ Инвентроникс Нидерландия Б.В., Полукстраат 21, 5047 РА Тилбург
- ☐ Inventronics Guangzhou Technology Limited; Room 1105, Clifford Corporate Center Building, No. 15, Fuhua Road, Clifford Estate Panyu, Guangzhou, Guangdong province, China, Postal code: 511496
- ☐ 广州英飞特科技有限公司; 广州市番禺区钟村街祈福新邨福华路15号祈福集团中心1105室 邮编: 511496
- ☐ INVENTRONICS MALAYSIA SDN. BHD., Kuala Lumpur, Penang, Tower A Vertical Business Suite
- ☐ Inventronics Korea Inc, Seoul, Yeongdong-daero 417
- ☐ 인벤티로닉스코리아 유한회사, 서울특별시 강남구 테헤란로25길 6-9, 6층 674호
- ☐ INVENTRONICS (HONG KONG) LIMITED, Room 30-108C, 29/F, Tower 5, The Gateway, 15 Canton Road, Tsim Sha Tsui, Hong Kong
- ☐ INVENTRONICS SSL India Private Limited, 4th and 5th floor, B Wing, Valipeer Road, Kalyan West, Kalyan, Thane, Maharashtra-421301

CE    IP67



C10449058
G15131142
25.06.25



Inventronics GmbH
Berliner Allee 65
86153 Augsburg
Germany
www.inventronicsglobal.com