

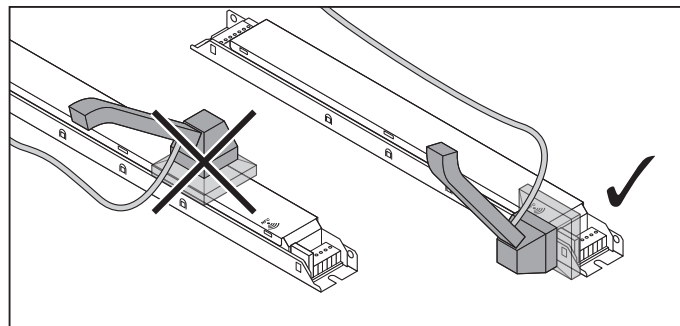
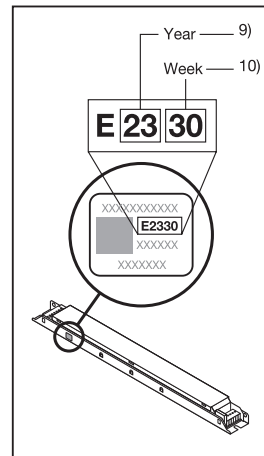
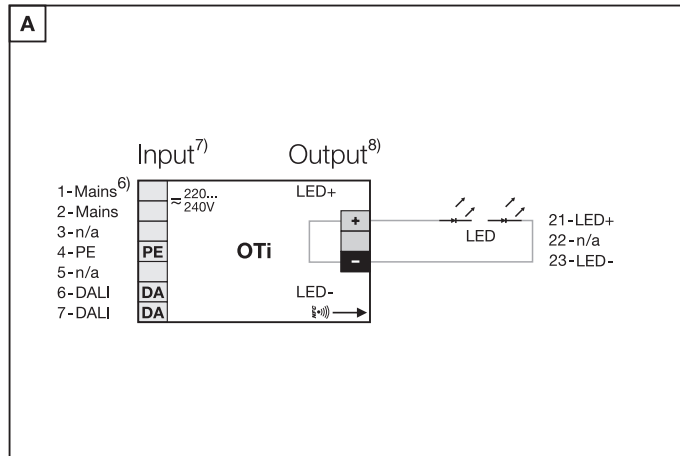
OPTOTRONIC® LED Power Supply

1) **OPTOTRONIC® INTELLIGENT**
2) 240V OT DALI 150/220-240/1A0 D NFC HV L
 Constant Current LED Power Supply

1- I_{nom} [mA]	2- P_{nom} [W]	3- I_{max} [mA]	4- U_{in} [V]	5- U_{out} [V]	6- I_{out} [A]	7- η [%]	8- U_{in} [V]	9- U_{out} [V]
250-1000	150	64-300	220-240V	350/600Hz	0.72	0.53/0.59	85	>95...95

3) **OSRAM** Made in China
 4) **EL** U_{OUT} = 300V
 LED • 21-
 LED • 22-
 LED • 23-

OTi DALI 150/220-240/1A0 D NFC HV L picture only for reference, valid print on product⁵⁾



B16		13 x
B10		8 x
A		≤ 67 A
T_H		143 μs
V_{NAC}		198–264 V
V_{NDC}		176–276 V

inventronics

