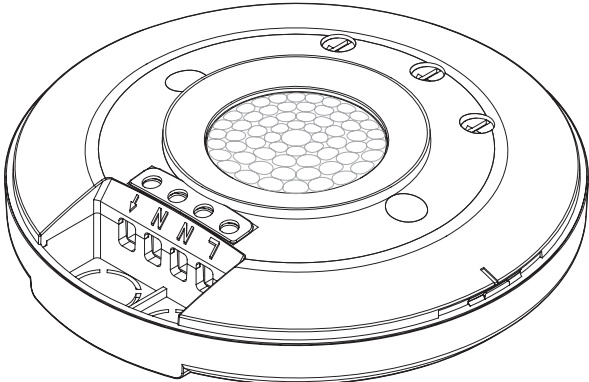
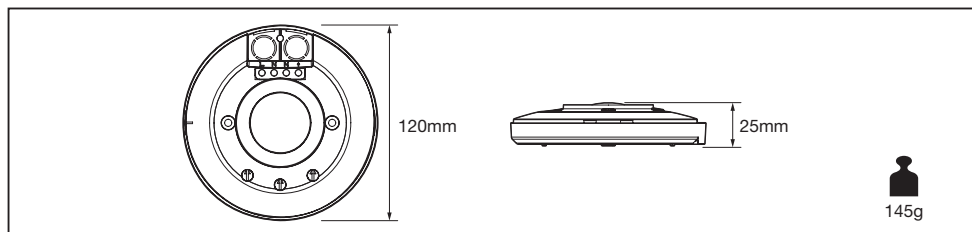


OSENZA Office G2 Switch Sensor



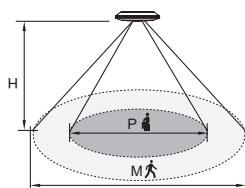
OSENZA Office G2 Switch Sensor



Specifications

Power	220-240V 50Hz
Range of detection	360° round view field with TEST model and PIR OFF
Load	Incandescent Lamp 1000 W Fluorescent Lamp 300W LED Lamp 200W MAX
TIME	15s ~ 30min. Default setting: 15min. TEST: Detection test mode <ul style="list-style-type: none"> The Lux control is deactivated. When the sensor is activated by a motion, the LED indicator and Lights will be turned on for 3 seconds. 'PIR OFF': Pure Lux control mode <ul style="list-style-type: none"> When ambient light is below the set level for more than 10s, lights will be switched on When ambient light exceeds the set level for more than 10s, lights will be switched off. Lights will be switched on permanently if TIME is set to 'PIR OFF' and LUX is set to ☀.
SENS	50% ~ 100% Default setting: 100% Adjusting the sensitivity will affect the detection range, please verify and determine the suitable range by 'TEST' mode at the real installation site.
LUX	10 lx ~ 1000 lx Default setting: 500 lx ☾ = 10 lx ☀ = full daylight

Presence detection range



Presence= Desk work, minor movements



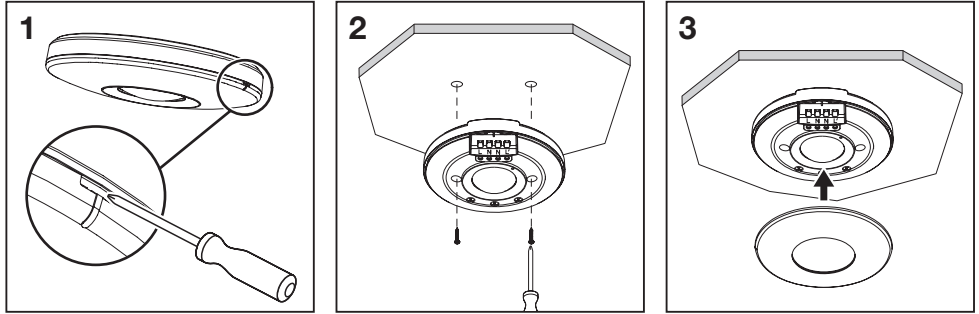
Motion = Walking, major movements

Unit: Meter

Height (Mounting height)	2.5	3	3.5	4
Presence (Minor movements)	4	4	4	-
Motion (Major movements)	7	8	9	9

Test under 20°C room temperature

Installation

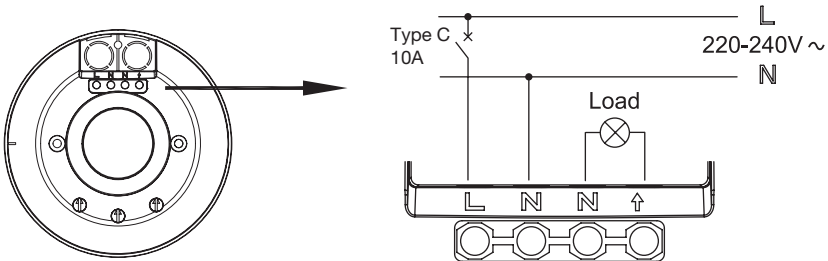


Warning: This equipment must be installed only by a qualified electrician. Installation must follow local building codes as well as the instruction contained in this manual. Turn off power at circuit breaker or fuse box, to make sure power is off before installation. If you have any doubts about the installation procedure, please consult a professional mechanician.

Determine the best location for the sensor. Install the sensor at least 3 ft. away from fluorescent and HVAC ducts, and at least 4 ft. away from incandescent fixtures and HVAC diffusers.

The sensor is to be mounted on ceiling.

Connection to the power supply



Power cord: Flexible/Solid or H05VV-F/ H05RNF, 1.5~2.5 mm²

1. This sensor must be installed according to local Wiring Regulations and Code of Practice.
2. Make sure that the power wiring comes from an external type C 10A miniature circuit breaker according with IEC60898-1 or equivalent standard for overload and short circuit protection.
3. Ensure the power supply is disconnected at the distribution board before beginning with the electrical wiring.
4. Below wiring diagram shall be correctly followed, incorrect wiring may destroy the sensor or other electrical devices being connected.
5. Switch on the power supply and the sensor will commence a 60 seconds initial startup period.

Initial set up and operation

- Step 1** After connection to mains power, 60 seconds is required for initial startup. The LED indicator and lights remain on during this phase.
- Step 2** Walk under the detection range until lights are switched on. This checks the operation of the sensor and the field of view. Under TEST mode, the LED indicator and lights will be switched on for 3 seconds when each movement is detected.
- Step 3** Repeat step 2 and adjust the angle of the dome lens until the optimum field of view is achieved.
- Step 4** Turn the TIME and LUX knobs to the desired positions.
- Step 5** The sensor is now in Auto Mode and will operate according to the preset occupancy timeout and desired ambient light level. The LED indicator inside the sensor will be flashing during the stand-by mode, lights are switched off. When lights are switched on triggered by movements or insufficient ambient light level, the LED indicator is turned on in parallel.
- Step 6** To permanently switch off the light, please disconnect the power supply.

Trouble Shooting

No response at all / lights can not be switched on	<ul style="list-style-type: none"> - Check wiring to ensure mains input and the sensor output to the lighting load are correctly connected. - Make sure human movements are under the detection range and the room temperature is NOT similar to 36 C. - Check if the ambient light level is higher than the desired set level.
Sensor clicks but does not work	<ul style="list-style-type: none"> - Check if output wire to the lighting load is correctly connected. - Check the lighting fixture itself, make sure it is working normally.
Lights go on and off quickly	<ul style="list-style-type: none"> - Ensure the sensor is not exposed directly to the light and heat out of luminaires, or indirectly reflected from white or reflective surfaces. - Note the sensor is more sensitive in cold temperature. - Make sure the sensor is not installed close to the air outlet of air conditioners. - Make sure the TIME setting is not at TEST position.
Lights stay on	<ul style="list-style-type: none"> - Check if the lighting load is connected to the mains power. Re-wiring to sensor terminals of L' and N. - Delay timeout has not expired. Check if the TIME setting is correct. Lights will be permanently on if TIME is set to 'PIR OFF' and LUX is set to ☼. - Ensure sensor is not being activated by stray moving heat sources such as heating outlets.
Detector goes on under windy and rainy condition	<ul style="list-style-type: none"> - Adverse weather conditions and temperature changes can result in unwanted activations. - This can be minimized by mounting in an indoor location.
Maintenance and repair	<ul style="list-style-type: none"> - Do not attempt to repair as this could vitiate warranty or result in personal injury. - Clean the sensor lens and outside casing with damp cloth.



©10449058
G15105324
2021-11-02

OSRAM GmbH
Berliner Allee 65
86153 Augsburg
Germany
www.osram.com