

Light is OSRAM

OSENZA Office G2 On/Off switch sensor for indoor application

OSENZA Office G2 offers PIR motion detection and light sensing functions for quick, easy and smart control to common on/off luminaires towards energy saving and comfortable lighting.

It automatically switches lights on and off based on configurable settings to the delay time, motion sensitivity and environmental light levels.

It is suitable for surfacing mounting to both cement ceiling and removable false ceiling due to its extremely slim shape.

Typical applications are Office / Corridor / Storage room / washroom / Residential areas, etc.

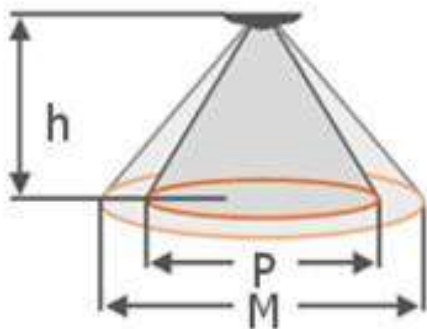


Product Features

- Power: 220 – 240VAC, 50Hz
- Time: Adjustable from 3sec. to 30 min.
- Light sensing range 10...1000 lx²⁾
- Load:
 - Incandescent Lamp 1000W
 - Fluorescent Lamp 300W
 - LED Lamp 200W MAX
- Motion detection range up to Ø7m¹⁾

¹⁾ @ 2.5 m mounting height; ²⁾ Measured at the Sensor

Detection Pattern



Presence = Desk work, minor movements



Motion = Walking, major movements

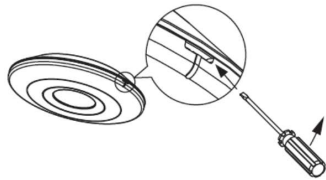
Height(Mounting height)	2.5	3	3.5	4
Presence(Minor movements)	4	4	4.5	-
Motion(Major movements)	7	8	8.5	9

Electrical Specifications

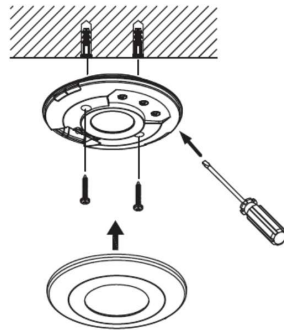
	Item	Value	Unit	Remarks
	Nominal Voltage	220-240VAC	V	
	Wire diameter	1.5~2.5	mm ²	
	Detection range	Ø7m		@ 2.5 m mounting height, (Person walking perpendicular to PIR) Reference detection pattern and images below
	Light sensing range	10 ... 1000	lx	
ENVIRONMENT	Ambient temperature range ta	-20...+40	°C	
	Storage temperature range	-20...+70	°C	
	Operating Humidity	10...95	%	
	Storage Humidity	0...95	%	
	Environmental rating	Indoor		
	IP rating	IP 20		
	Housing material	Plastic		white
	Standards (tested and passed)			IEC/EN 60669-2-1 IEC/EN 60669-1

Installations

Removal of the cover plate

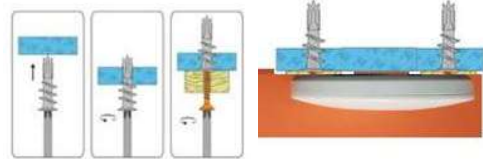


mounting to
cement ceilings

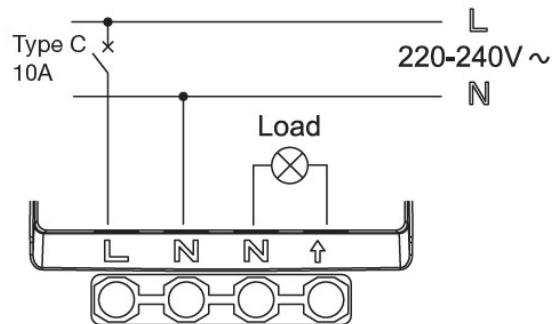
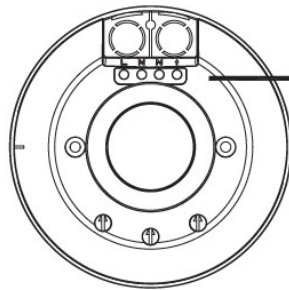


Or

mounting to removable gypsum plaster ceilings



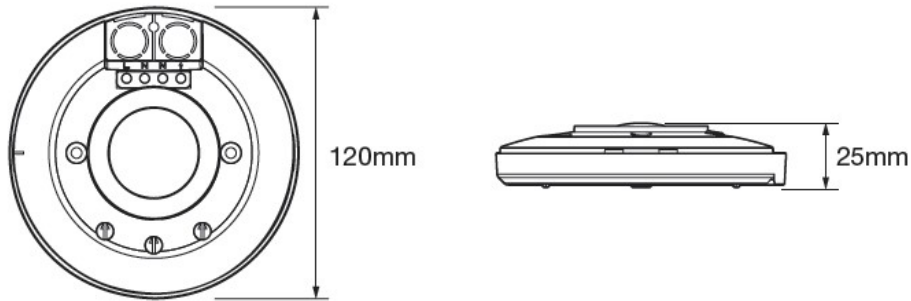
Wiring Diagram



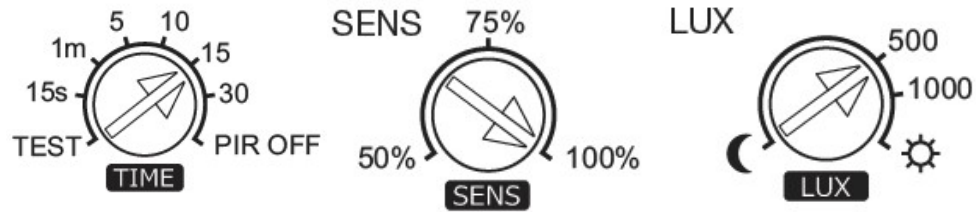
Power cord: Flexible/Solid or H05VV-F/ H05RNF, 1.5~2.5 mm²

Dimensions

An overall dimensions of diameter × H = Ø120 × 25 mm



Modes Setting



Ordering information

Product description	EAN10	EAN40	Pieces/box
OSENZA Office G2	4052899629301	4052899629318	48

Disclaimer

Due to technical reasons, the provided data of the product have usual limitations regarding accuracy and reliability based on the current state of art and technology and are only meant as clue and aid for diagnostic purposes. Therefore, OSRAM shall not be liable for the accuracy and reliability of the provided results including any incorrect data or their incorrect technical interpretation due to the current state of technology.

All information contained in this document has been collected, analyzed and verified with great care by OSRAM. However, OSRAM GmbH is not responsible for the correctness and completeness of the information contained in this document and OSRAM GmbH cannot be made liable for any damage that occurs in connection with the use of and/or reliance on the content of this document. The information contained in this document reflects the current state of knowledge on the date of issue.

OSRAM GmbH

Head Office:

Marcel-Breuer-Strasse 6
80807 Munich, Germany
Phone +49 89 6213-0
www.osram.com

OSRAM