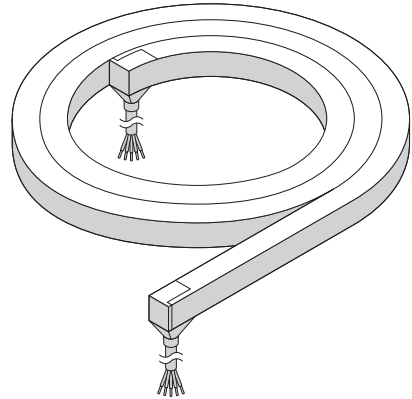
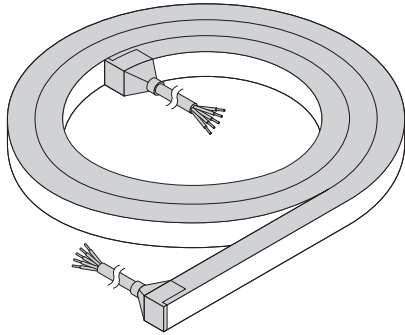


TEC FLEX Diffuse RGBW

TOP / SIDE Standard / Addressable via DMX



Product	Color	Wavelength [nm]	Voltage [V DC]*	Current/m [mA]*	Power/m [W]*	Lumen/m [lm]*	Operable length [mm]	Beam Angle [°]
TFD250T-RGBW4-G1-05 L2 TOP	RGBW	/	24	0.625	15	280	5000	120
	R	625			4	40		
	G	525			3	80		
	B	465			3	20		
	W 4200K	/			4	120		
TFD150S-RGBW4-G1-05 L2 SIDE	RGBW	/	24	0.625	15	180	5000	120
	R	625			4	20		
	G	525			3	50		
	B	465			3	15		
	W 4200K	/			4	80		

Product	Color	Wavelength [nm]	Voltage [V DC]*	Current/m [mA]*	Power/m [W]*	Lumen/m [lm]*	Operable length [mm]	Beam Angle [°]
TFD250TAD-RGBW4-G1-05 L2 TOP	RGBW	/	24	0.75	18	280	5000	120
	R	625			6	40		
	G	525			6	100		
	B	465			6	20		
	W 4200K	/			6	130		
TFD150T-RGBW4-G1-05 L2 SIDE	RGBW	/	24	0.75	18	160	5000	120
	R	625			6	20		
	G	525			6	60		
	B	465			6	15		
	W 4200K	/			6	75		

Due to the special conditions of the manufacturing processes of LED the typical data of technical parameters can only reflect statistical figures and do not necessarily correspond to the actual parameters of each single product which could differ from the typical data.
*Testing based on $t_a=25^{\circ}\text{C}$, one-meter data, tolerance of lumen flux is $\pm 10\%$.

Product	L	A	B	g
TFD150S-RGBW4-G1-05 L2	5000	20	11	1301
TFD150SAD-RGBW4-G1-05 L2	5000	20	11	1306
TFD250T-RGBW4-G1-05 L2	5000	20	16	1912
TFD250TAD-RGBW4-G1-05 L2	5000	20	16	1917

Bending & Twisting Caution

Keep the min. bend diameter 300mm

Vertical Bending

WARNING: The above wrong approaches will damage the light.

TOP

Light Surface

Cutting line

SIDE

Cutting line

Light Surface

Light Surface

90°

90°

Lighting surface must be upwards

Cutting can only be made at the printed cutting line

The cutting surface must be flush and smooth.

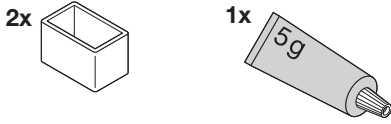
WARNING: The above mishandling will damage the light.

1

End-cap

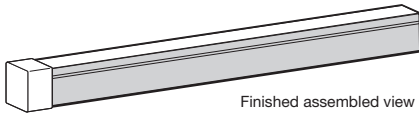
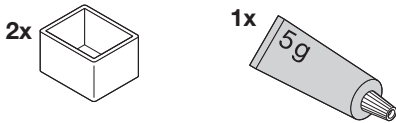
FX-TFDS-G1-ES-14H23 KIT 2 PCS (SIDE)

6977078996044



FX-TFDT-G1-ET-19H23 KIT 2 PCS (TOP)

6977078996105

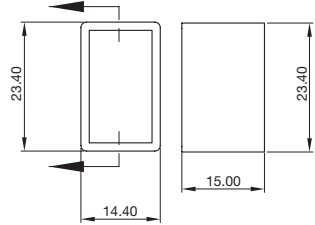


2

Accessories: End-cap

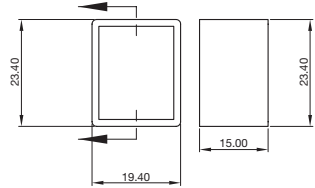
FX-TFDS-G1-ES-14H23 KIT 2 PCS (SIDE)

6977078996044



FX-TFDT-G1-ET-19H23 KIT 2 PCS (TOP)

6977078996105



[mm]

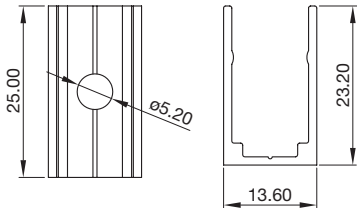
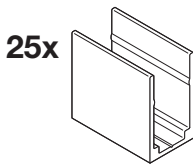
3

Accessories: Mounting Clip

1120 Mounting Clip

FX-TFDS-G1-BS-14H23-25 KIT 25 PCS (SIDE)

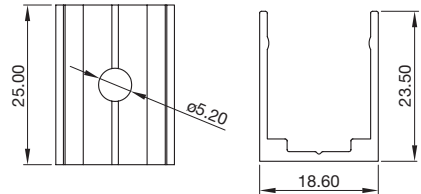
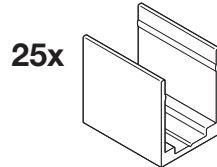
6977078996020



1620 Mounting Clip

FX-TFDT-G1-BT-19H23-25 KIT 25 PCS (TOP)

6977078996082



[mm]

4

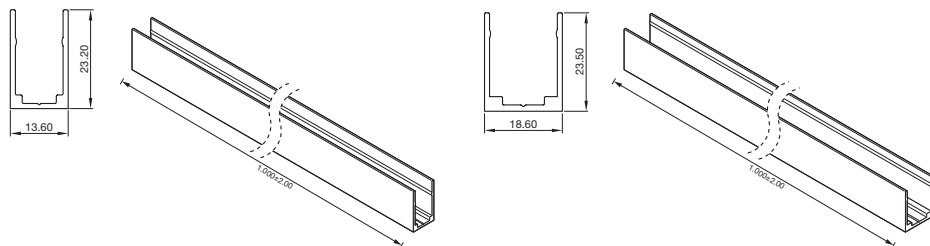
Profiles installation guide

FX-TFDS-G1-TS-14H23-1000 KIT 10 PCS (SIDE)

6977078996068

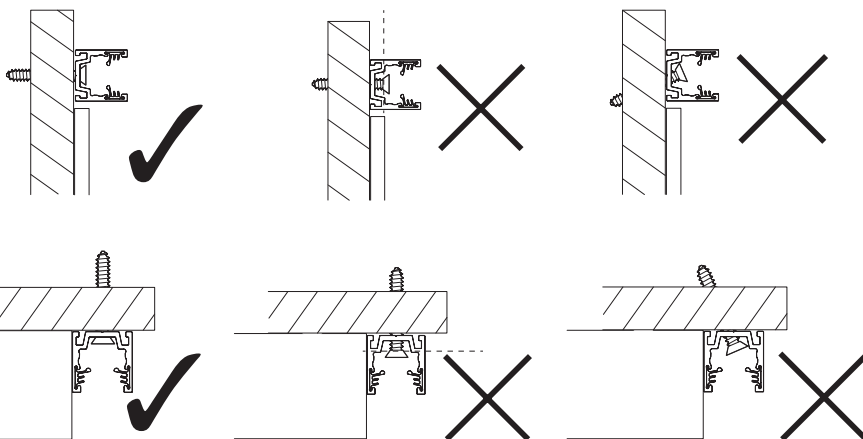
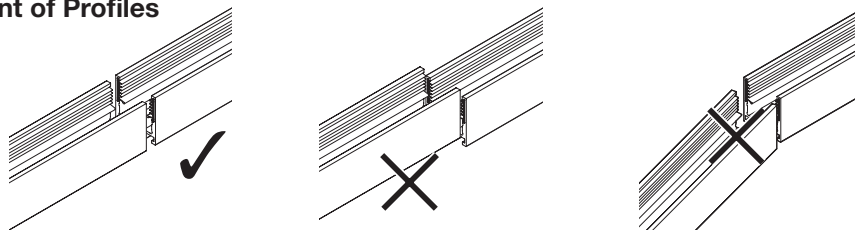
FX-TFDT-G1-TT-19H23-1000 KIT 10 PCS (TOP)

6977078996129

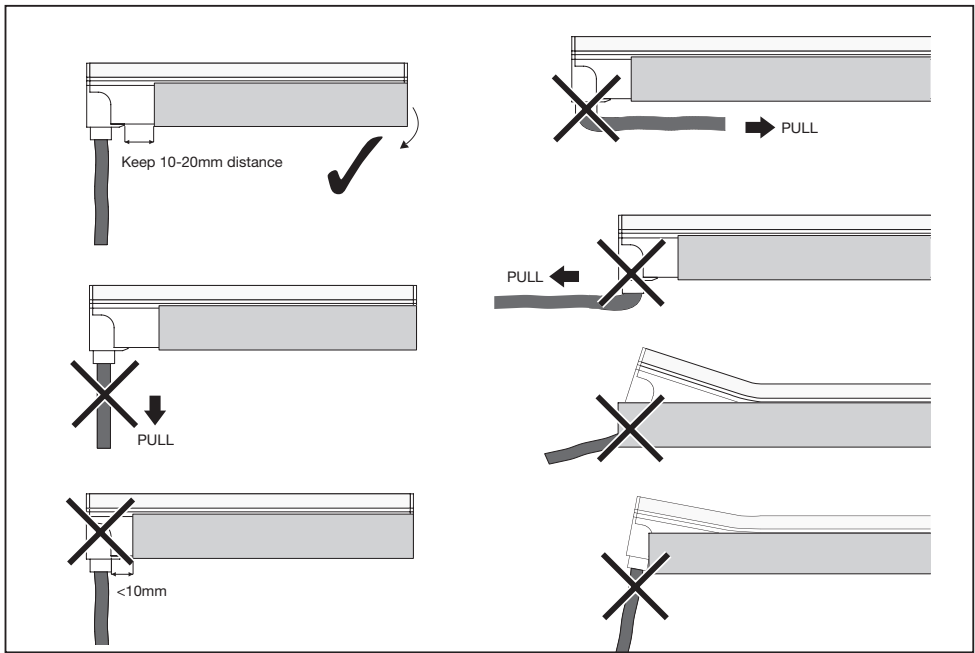
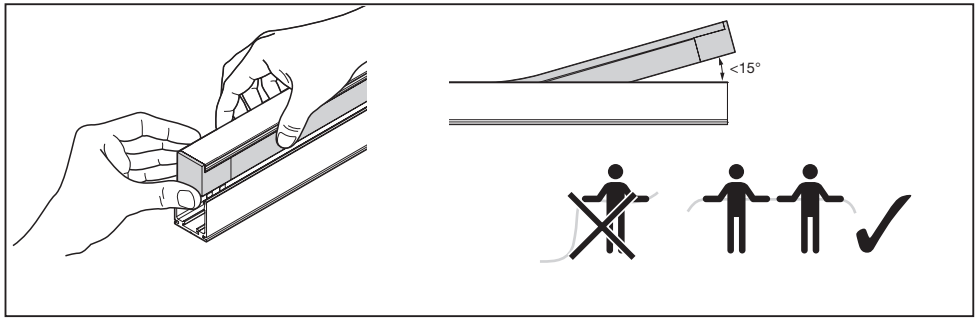
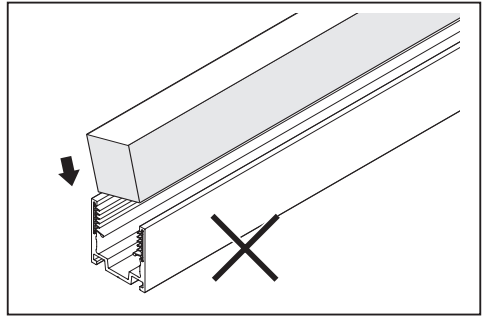
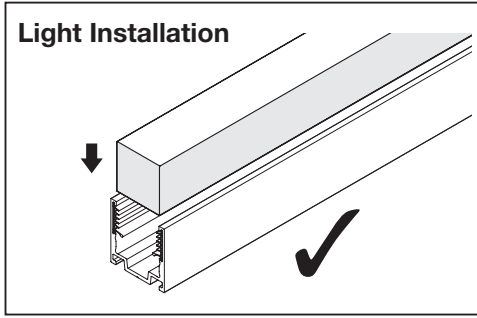


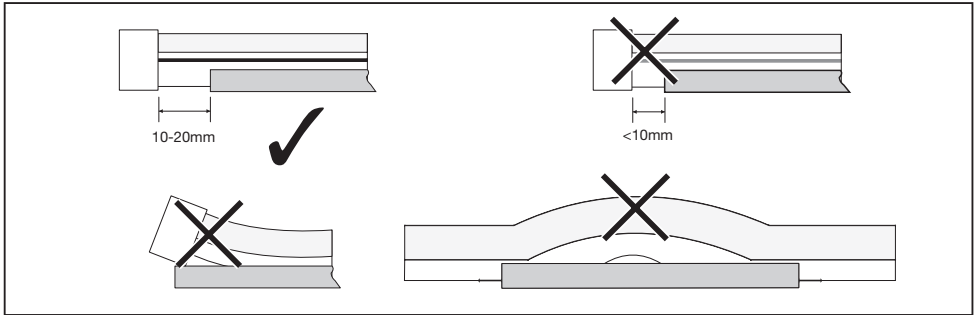
Note: Unless otherwise stated, the tolerance of the profile is $\pm 0.5\text{mm}$

Joint of Profiles

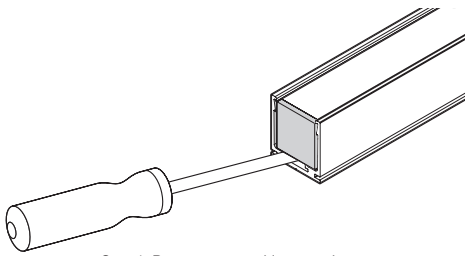


Screws and holes are not present.

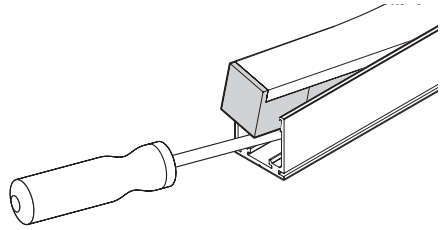




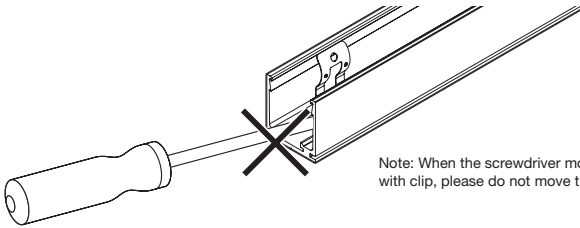
Uninstallation of light in Spring Clip Aluminum Profile



Step 1: Prepare a screwdriver, put the screwdriver at the bottom of light.

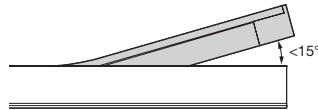
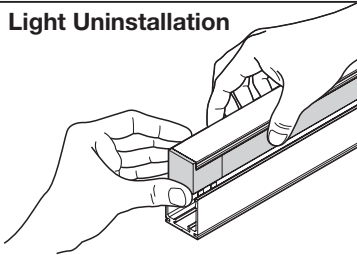


Step 2: Move the screwdriver and unclench the light upwardly, be careful the angle between the light and the profile should not be bigger than 15°.



Note: When the screwdriver moves to the position with clip, please do not move the clip, just leave it.

Light Uninstallation



- Ⓜ Εισαγωγέας: Inventronics Netherlands B.V., Polluxstraat 21, 5047RA Tillburg
- Ⓜ Forgalmazó: Inventronics Netherlands B.V., Polluxstraat 21, 5047RA Tillburg
- Ⓜ Inventronics Poland Sp. z o.o., Al. Jerozolimskie 94, 00-807 Warsaw, Poland
- Ⓜ Inventronics Turkey Teknoloji Ticaret Limited Şirketi, Büyükdere Cad. Bahar Sok. River Plaza No: 13/5 Sisli 34394 Istanbul, Turkey
- Ⓜ Uvoznik: Inventronics Netherlands B.V., Polluxstraat 21, 5047RA Tillburg
- Ⓜ Inventronics Netherlands B.V., Polluxstraat 21, 5047RA Tillburg
- Ⓜ Инвентроникс Нидерландия Б.В., Полукстраат 21, 5047 РА Тилбург

- Ⓜ Inventronics Guangzhou Technology Limited; Room 1105, Clifford Corporate Center Building, No. 15, Fuhua Road, Clifford Estate Panyu, Guangzhou, Guangdong province, China, Postal code: 511496
广州英飞特科技有限公司; 广州市番禺区钟村街祈福新邨福华路15号祈福集团中心1105室 邮编: 511496
- Ⓜ INVENTRONICS MALAYSIA SDN. BHD., Kuala Lumpur, Penang, Tower A Vertical Business Suite
- Ⓜ Inventronics Korea Inc, Seoul, Yeongdong-daero 417
인벤트로닉스코리아 유한회사, 서울특별시 강남구 테헤란로25길 6-9, 6층 674호
- Ⓜ INVENTRONICS (HONG KONG) LIMITED, Room 30-108C, 29/F, Tower 5, The Gateway, 15 Canton Road, Tsim Sha Tsui, Hong Kong
- Ⓜ INVENTRONICS SSL INDIA PRIVATE LIMITED, 1 & 2 ND FLR. KAGALWALA HOUSE, PLOT -175, BEHINDMETRO HOUSE, CST RD, KALINA, SANTACRUZ EAST, MUMBAI., Mumbai City, Maharashtra, India, 400098

INVENTRONICS is a licensee of arms OSRAM. OSRAM is a trademark of arms OSRAM.

IP67 CE



C10449058
G15129456
01.08.24



Inventronics GmbH
Berliner Allee 65
86153 Augsburg
Germany
www.inventronicsglobal.com