

# OPTOTRONIC® LED Power Supply

OTi DALI 15/220-240/1A0 NFC

1) **OPTOTRONIC® INTELLIGENT**  
**OTi DALI 15/220-240/1A0 NFC**  
**NFC Constant Current LED Power Supply**

$I_{rated}[mA]$	$P_{rated}[W]$	$U_{rated}[V]$	$\frac{U_{V}[V]}{f_{N}[Hz]}$	$I_{N}[A]$	$\lambda$	$t_c[^\circ C]$
150-1050	18	7.5-54	220-240 0/50/60	0,12	0,38C- 0,95	-20...+50

110  $\approx$  ● 1  
 220... 240V ● 2

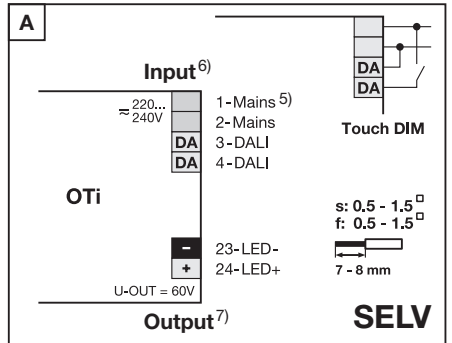
DA ● 3  
 DA ● 4

2) **DALI**  
 $t_c = 80^\circ C$

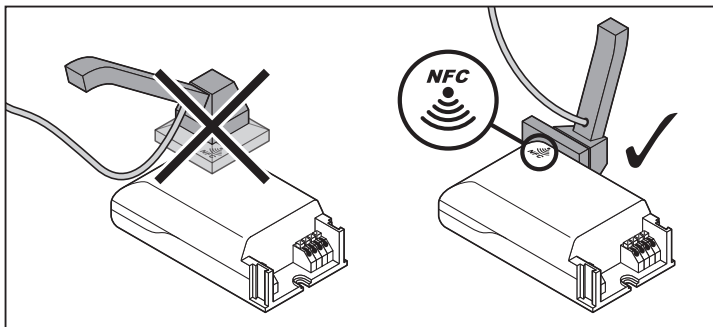
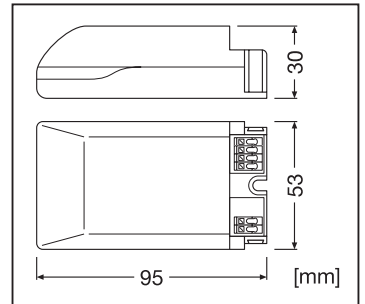
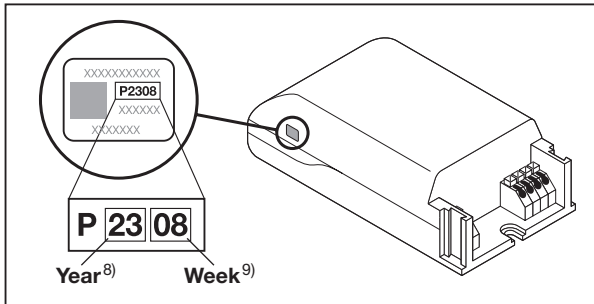
3) **EL** SELV  
 LED - ● 23  
 LED + ● 24  
 U-OUT = 60V

Inventronics GmbH  
 Berliner Allee 65  
 86153 Augsburg  
 Germany  
 www.inventronics-light.com

Made in Bulgaria  
**OSRAM**



picture only for reference, valid print on product<sup>4)</sup>



<b>B16</b>		130
<b>B10</b>		80
<b>A</b>		≤ 9A
<b>T<sub>H</sub></b>		40 μs
<b>V<sub>N AC</sub></b>		198 - 264 V
<b>V<sub>N DC</sub></b>		176 - 276 V

Safety information for independent installation and use<sup>10)</sup>

	OTi DALI 15 NFC suitable for direct mounting in/on normally flammable surfaces <sup>11)</sup>	OTi DALI 15 NFC not suitable for direct mounting in/on normally flammable surfaces <sup>12)</sup>
<b>t<sub>c</sub></b>	t <sub>c</sub> ≤ 75 °C	75 °C < t <sub>c</sub> ≤ 80 °C

MM marking acc. to DIN 57710 (mounting on easily inflammable surfaces): t<sub>c</sub> max = 75°C permitted use<sup>13)</sup>

# OSRAM





