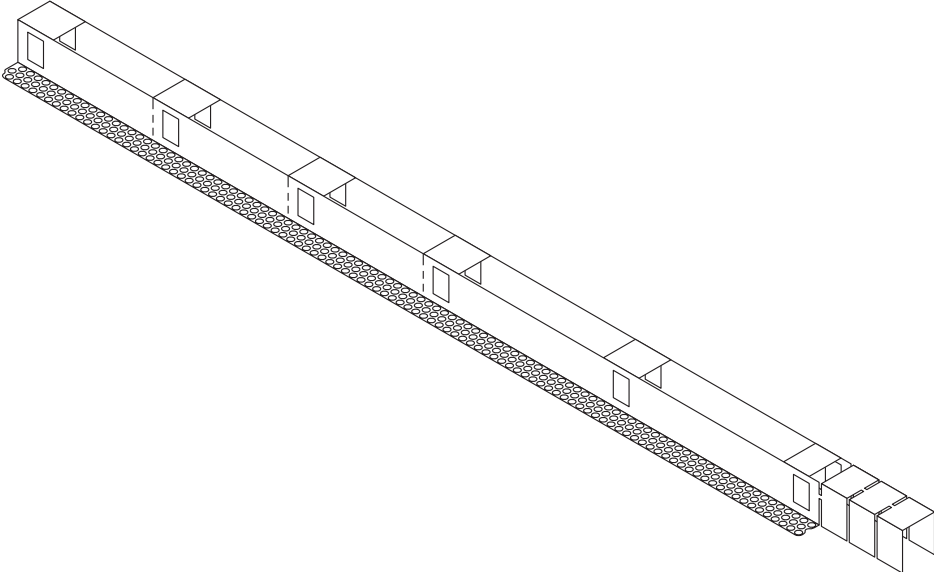
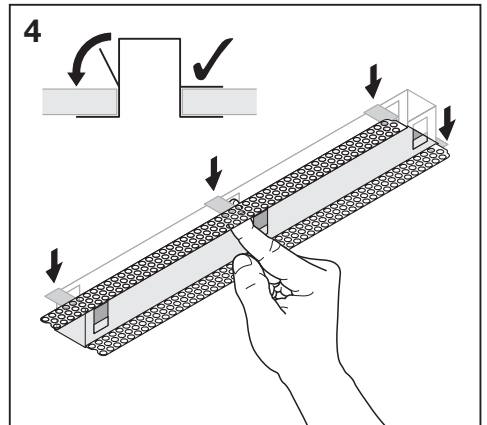
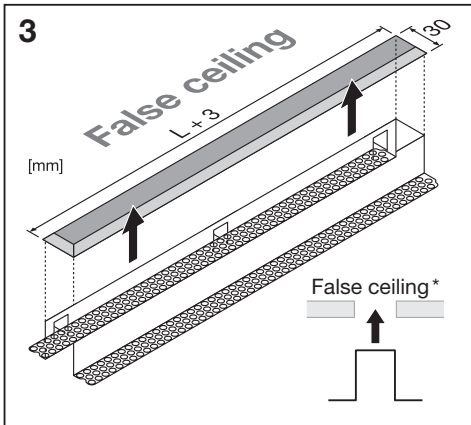
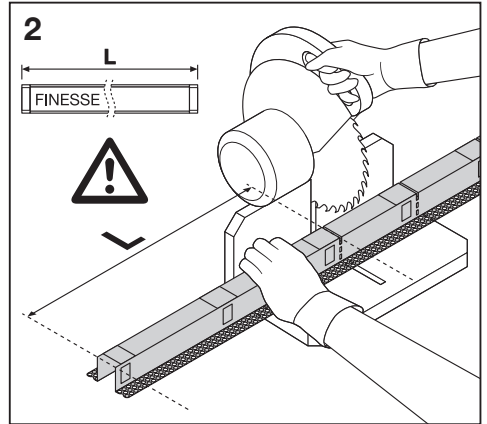
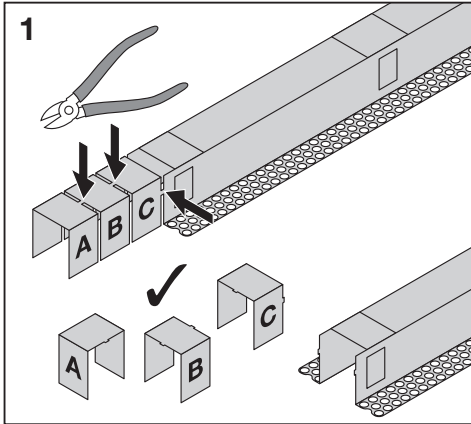
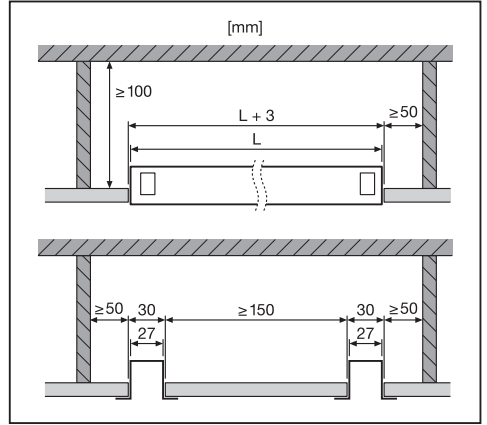
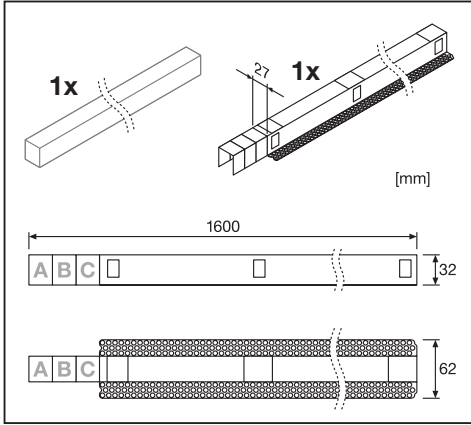
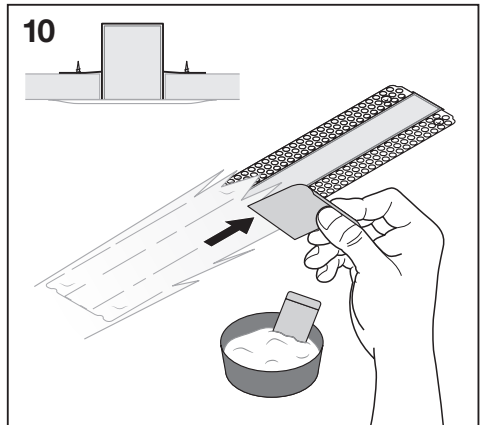
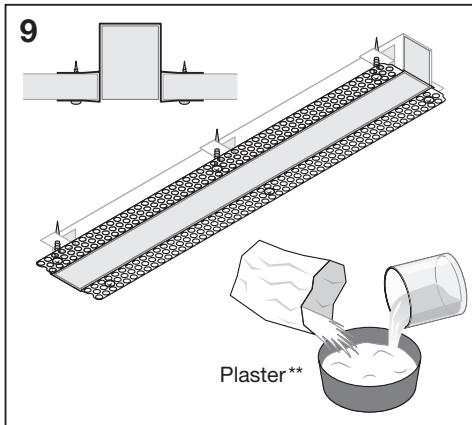
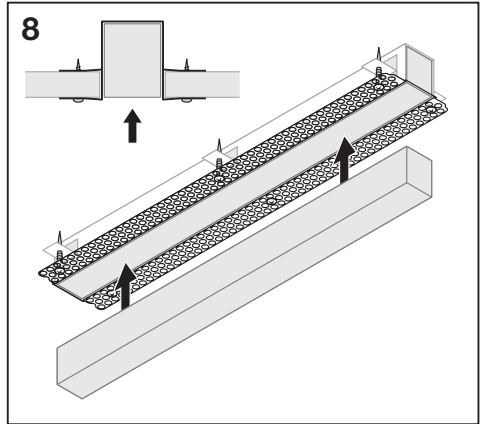
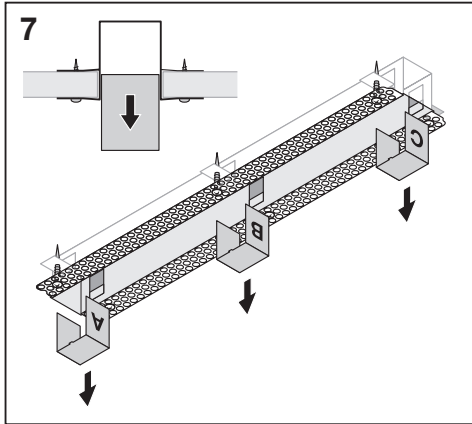
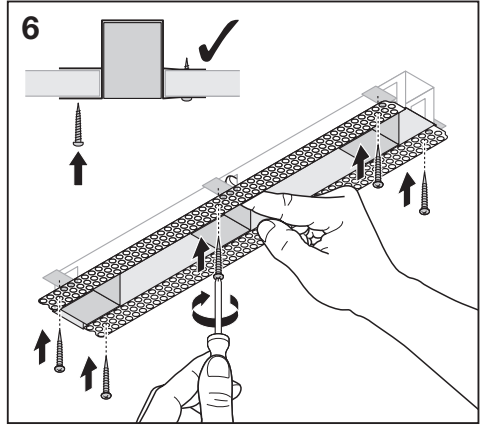
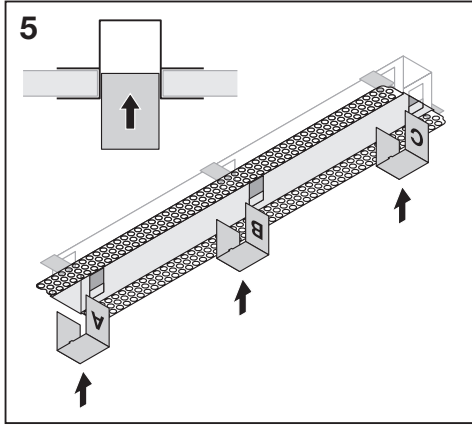
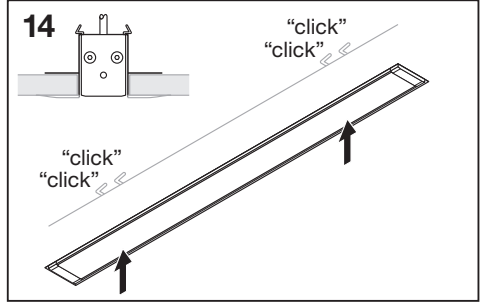
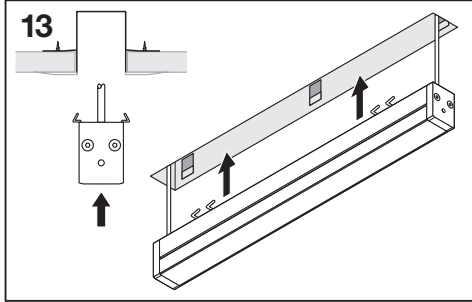
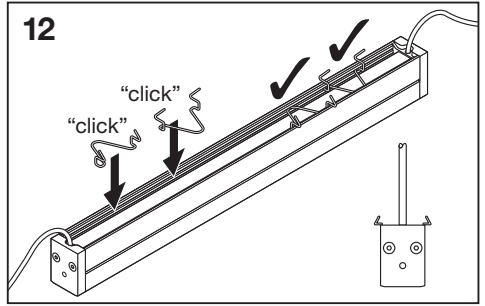
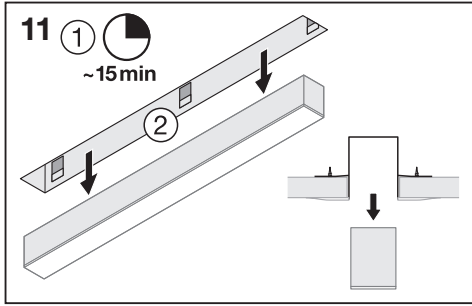


FINESSE Recessed Kit









⊗ Nicht mit Isoliermaterial bedecken ⊗ Do not cover by insulating material ⊕ Ne pas recouvrir de matériel isolant
 ⊕ Non coprire con materiale isolante ⊕ No cubrir con material aislante ⊕ Não cobrir com material isolador ⊗ Μη καλύπτετε με μονωτικό υλικό ⊗ Niet bedekken door isolatiemateriaal ⊕ Får ej övertäckas med isoleringsmaterial
 ⊗ Älä peitää eristäväällä materiaalilla ⊕ Må ikke dekkes med isolasjonsmaterieill ⊗ Tildæk ikke med isolerende materiale ⊗ Nezakrývát izolačními materiály ⊗ Не покрывать изоляционным материалом ⊗ Оқшаулау материалымен жаппаңыз ⊕ Ne takarja le szigetelőanyaggal ⊗ Nie przykrywać materiałem izolacyjnym
 ⊗ Nepokrývát izolačným materiálom ⊗ Ne prekrijte z izolirnim materialom ⊗ Yalıtım malzemesi ile kaplamayın
 ⊗ Ne prekrivajte materijalom za izolaciju ⊗ Nu acoperiți cu material izolatant ⊗ Не покривай с изолиращ материал
 ⊗ Āra kata soojust isoleerivate materjalidega ⊕ Neuzdēngti izoliacinēmis mēdziagomis ⊕ Ne pārklāt ar izolācijas materiālu ⊗ Ne prekrivati izolacionim materijalom ⊗ Не закривайте ізолюючим матеріалом

- ⊗ *False ceiling; **Plaster
- ⊕ *Zwischendecke; **Gips
- ⊕ *Faux plafond; **Plâtre
- ⊕ *Controsoffitto; **Gesso
- ⊕ *Falso techo; **Yeso
- ⊕ *Teto falso; **Gesso
- ⊗ *Ψευδοροφή; **Γύψος
- ⊗ *Verlaagd plafond; **Stuc
- ⊕ *Undertak; **Gips
- ⊕ *Alakatto; **Kipsilaastit

- ⊕ *Falsk tak; **Gips
- ⊗ *Forsænket loft; **Gips
- ⊕ *Falešný strop; **Omlitka
- ⊗ *Подвесной потолок; **Штукатурка
- ⊕ *Жалғам табе; **Сылақ
- ⊕ *Álmennyezet; **Vakolat
- ⊕ *Sufit podwieszany; **Tynk
- ⊕ *Falošný strop; **Omiетка
- ⊕ *Slepi strop; **Mavec
- ⊕ *Asma tavan; **Alçı

- ⊗ *Lažni strop; **Gips
- ⊗ *Tavan fals; **İpsos
- ⊗ *Окачен таван; **Гипсова шпакловка
- ⊕ *Ripplagi; **Kips
- ⊕ *Gipso lubos; **Gipsas
- ⊕ *Piekarmie griesti; **Armeturns
- ⊕ *Lažni plafon; **Gips
- ⊕ *Підвісна стеля; **Шпаклівка

- ⊗ Εισαγωλέας: Inventronics Netherlands B.V., Polluxstraat 21, 5047RA Tilburg
- ⊕ Forgalmazó: Inventronics Netherlands B.V., Polluxstraat 21, 5047RA Tilburg
- ⊕ Inventronics Poland Sp. z o.o., Al. Jerozolimskie 94, 00-807 Warsaw, Poland
- ⊗ Inventronics Turkey Teknoloji Ticaret Limited Şirketi, Büyükdere Cad. Bahar Sok. River Plaza No: 13/5 Sisli 34394 Istanbul, Turkey
- ⊕ Uvoznik: Inventronics Netherlands B.V., Polluxstraat 21, 5047RA Tilburg
- ⊗ Inventronics Netherlands B.V., Polluxstraat 21, 5047RA Tilburg
- ⊗ Инвентроникс Нидерландия Б.В., Полукстраат 21, 5047 РА Тилбург
- ⊗ Inventronics Guangzhou Technology Limited: Room 1105, Clifford Corporate Center Building, No. 15, Fuhua Road, Clifford Estate Panyu, Guangzhou, Guangdong province, China, Postal code: 511496
- 广州英飞特科技有限公司; 广州市番禺区村科街祈福新邨福华路15号祈福集团中心1105室 邮编: 511496
- ⊗ INVENTRONICS MALAYSIA SDN. BHD., Kuala Lumpur, Penang, Tower A Vertical Business Suite
- ⊗ Inventronics Korea Inc, Seoul, Yeongdong-daero 417
- 인벤트로닉스코리아 유통회사, 서울특별시 강남구 테헤란로25길 6-9, 6층 674호
- ⊗ ⊗ ⊗ ⊗ INVENTRONICS (HONG KONG) LIMITED, Room 30-108C, 29/F, Tower 5, The Gateway, 15 Canton Road, Tsim Sha Tsui, Hong Kong
- ⊗ INVENTRONICS SSL India Private Limited, 4th and 5th floor, B Wing, Valpeer Road, Kalyan West, Kalyan, Thane, Maharashtra-421301



C10449057
 G15131130
 27.05.25

Inventronics GmbH
 Berliner Allee 65
 86153 Augsburg
 Germany
www.inventronicsglobal.com