

# OPTOTRONIC® LED Power Supply

OT FIT 25/220-240/250 D NFC F L

<b>OPTOTRONIC®</b> <b>OT FIT 25/220-240/250 D NFC F L</b> Constant current LED Power Supply		Invertronix GmbH Beckhof Allee 15 81533 Augsburg Germany www.invertronixgmbh.com	Connect PE to case or PIN 2 wire preparation push in $s: 0.5 - 1.5 \text{ mm}$	IS 15885 (Part 2/Sec 13) R-41058815 www.bis.gov.in	Designed and engineered in Germany Made in Bulgaria	U-OUT = 250V LED+ ● 21 ○ 22 LED- ● 23														
● 1 ● 2 ● 3		$t_c = 75^\circ\text{C}$																		
	<table border="1"> <tr> <th><math>I_{rated}</math> [mA]</th> <th><math>P_{rated}</math> [W]</th> <th><math>U_{rated}</math> [V]</th> <th><math>U_{in}/f_{in}</math></th> <th><math>I_{in}</math> [A]</th> <th><math>\lambda</math></th> <th><math>t_c</math> [°C]</th> </tr> <tr> <td>35 - 250</td> <td>25</td> <td>54 - 216</td> <td>220-240V 0/50/60 Hz</td> <td>0.13</td> <td>0.67C 0.96</td> <td>-25...60</td> </tr> </table>	$I_{rated}$ [mA]	$P_{rated}$ [W]	$U_{rated}$ [V]	$U_{in}/f_{in}$	$I_{in}$ [A]	$\lambda$	$t_c$ [°C]	35 - 250	25	54 - 216	220-240V 0/50/60 Hz	0.13	0.67C 0.96	-25...60					
$I_{rated}$ [mA]	$P_{rated}$ [W]	$U_{rated}$ [V]	$U_{in}/f_{in}$	$I_{in}$ [A]	$\lambda$	$t_c$ [°C]														
35 - 250	25	54 - 216	220-240V 0/50/60 Hz	0.13	0.67C 0.96	-25...60														

picture only for reference, valid print on product<sup>5)</sup>

OT FIT 35/220-240/400 D NFC F L

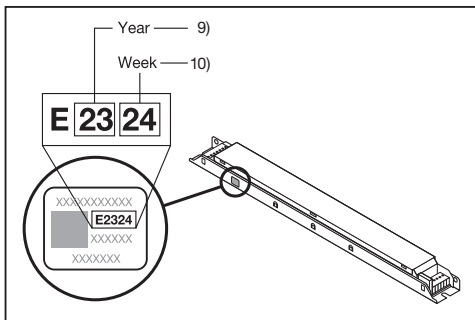
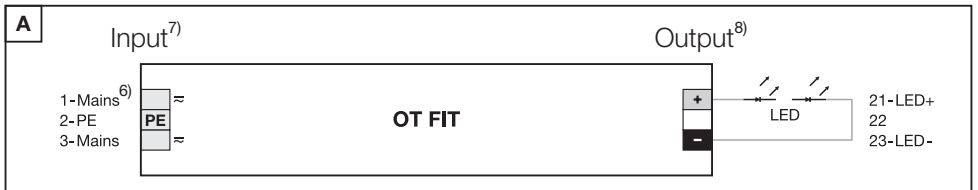
<b>OPTOTRONIC®</b> <b>OT FIT 35/220-240/400 D NFC F L</b> Constant current LED Power Supply		Invertronix GmbH Beckhof Allee 15 81533 Augsburg Germany www.invertronixgmbh.com	Connect PE to case or PIN 2 wire preparation push in $s: 0.5 - 1.5 \text{ mm}$	IS 15885 (Part 2/Sec 13) R-41058815 www.bis.gov.in	Designed and engineered in Germany Made in Bulgaria	U-OUT = 250V LED+ ● 21 ○ 22 LED- ● 23														
● 1 ● 2 ● 3		$t_c = 75^\circ\text{C}$																		
	<table border="1"> <tr> <th><math>I_{rated}</math> [mA]</th> <th><math>P_{rated}</math> [W]</th> <th><math>U_{rated}</math> [V]</th> <th><math>U_{in}/f_{in}</math></th> <th><math>I_{in}</math> [A]</th> <th><math>\lambda</math></th> <th><math>t_c</math> [°C]</th> </tr> <tr> <td>75 - 400</td> <td>35</td> <td>54 - 216</td> <td>220-240V 0/50/60 Hz</td> <td>0.16</td> <td>0.68C 0.97</td> <td>-25...60</td> </tr> </table>	$I_{rated}$ [mA]	$P_{rated}$ [W]	$U_{rated}$ [V]	$U_{in}/f_{in}$	$I_{in}$ [A]	$\lambda$	$t_c$ [°C]	75 - 400	35	54 - 216	220-240V 0/50/60 Hz	0.16	0.68C 0.97	-25...60					
$I_{rated}$ [mA]	$P_{rated}$ [W]	$U_{rated}$ [V]	$U_{in}/f_{in}$	$I_{in}$ [A]	$\lambda$	$t_c$ [°C]														
75 - 400	35	54 - 216	220-240V 0/50/60 Hz	0.16	0.68C 0.97	-25...60														

picture only for reference, valid print on product<sup>5)</sup>

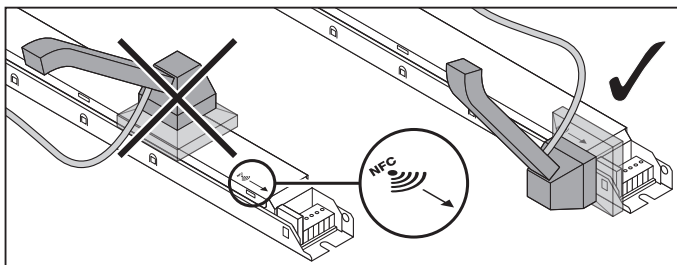
OT FIT 75/220-240/500 D NFC F L

<b>OPTOTRONIC®</b> <b>OT FIT 75/220-240/500 D NFC F L</b> Constant current LED Power Supply		Invertronix GmbH Beckhof Allee 15 81533 Augsburg Germany www.invertronixgmbh.com	Connect PE to case or PIN 2 wire preparation push in $s: 0.5 - 1.5 \text{ mm}$	IS 15885 (Part 2/Sec 13) R-41058815 www.bis.gov.in	Designed and engineered in Germany Made in Bulgaria	U-OUT = 250V LED+ ● 21 ○ 22 LED- ● 23														
● 1 ● 2 ● 3		$t_c = 75^\circ\text{C}$																		
	<table border="1"> <tr> <th><math>I_{rated}</math> [mA]</th> <th><math>P_{rated}</math> [W]</th> <th><math>U_{rated}</math> [V]</th> <th><math>U_{in}/f_{in}</math></th> <th><math>I_{in}</math> [A]</th> <th><math>\lambda</math></th> <th><math>t_c</math> [°C]</th> </tr> <tr> <td>125-500</td> <td>75</td> <td>54 - 216</td> <td>220-240V 0/50/60 Hz</td> <td>0.37</td> <td>0.70C 0.99</td> <td>-25...60</td> </tr> </table>	$I_{rated}$ [mA]	$P_{rated}$ [W]	$U_{rated}$ [V]	$U_{in}/f_{in}$	$I_{in}$ [A]	$\lambda$	$t_c$ [°C]	125-500	75	54 - 216	220-240V 0/50/60 Hz	0.37	0.70C 0.99	-25...60					
$I_{rated}$ [mA]	$P_{rated}$ [W]	$U_{rated}$ [V]	$U_{in}/f_{in}$	$I_{in}$ [A]	$\lambda$	$t_c$ [°C]														
125-500	75	54 - 216	220-240V 0/50/60 Hz	0.37	0.70C 0.99	-25...60														

picture only for reference, valid print on product<sup>5)</sup>



	OT FIT 25	OT FIT 35	OT FIT 75
<b>B16</b>	36 x	36 x	28 x
<b>B10</b>	22 x	22 x	17 x
	≤ 16 A	≤ 16 A	≤ 22 A
<b>TH</b>	240 μs	240 μs	230 μs
<b>V<sub>NAC</sub></b>	198-264 V	198-264 V	198-264 V
<b>V<sub>NDC</sub></b>	176-276 V	176-276 V	176-276 V



# OSRAM





