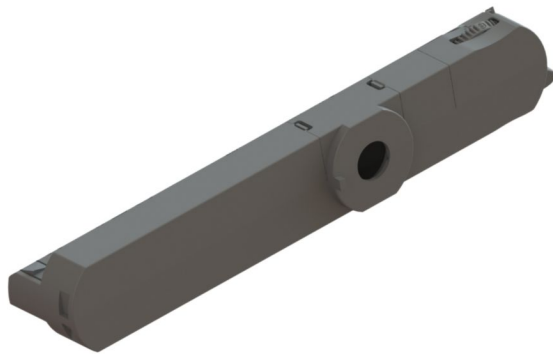


## OT Wi 40/220-240/1A0 NFC BL T-G

OPTOTRONIC Wireless Intelligent – QBM NFC Track | Compact constant current LED driver – Dimmable



### Product family features

- Qualified Bluetooth mesh enabled by Silvair
- Works with Hubsense®
- Supply voltage: 220...240 V
- Line frequency: 0 Hz | 50 Hz | 60 Hz
- Line voltage: 198...264 V
- Lifetime: up to 100,000 h
- Type of protection: IP20
- Compatible with the NLC wireless standard

### Product family benefits

- High quality of light thanks to low output ripple current
- Short housing for minimum distance between spotlights
- Versatile QBM window driver due to flexible output characteristic
- Easy and fast output current setting via NFC
- High-quality dimming of 1...100 % by amplitude dimming
- SELV system



## Areas of application

- Track lights
- Shops and hospitality: retail, hotels, restaurants

## Technical data

### Electrical data

Nominal input voltage	220...240 V
Mains frequency	0/50/60 Hz
Input voltage AC	198...264 V <sup>1)</sup>
Input voltage DC	176...276 V
Nominal input current at 230 V	0.21 A
Total harmonic distortion	< 10 % <sup>2)</sup>
Power factor $\lambda$	0.30C...0.95 <sup>3)</sup>
Efficiency in full-load	86 % <sup>4)</sup>
Networked standby power	$\leq 0.30$ W <sup>4)</sup>
Inrush current	36 A <sup>5)</sup>
Max. ECG no. on circuit breaker 10 A (B)	47
Max. ECG no. on circuit breaker 16 A (B)	76
Surge capability (L-N)	1 kV
Surge capability (L/N-Ground)	2 kV
Protective conductor current	not relevant
Nominal output voltage	18...42 V <sup>6)</sup>
U-OUT (working voltage)	60 V
Nominal output current	150...1050 mA <sup>7)</sup>
Minimum output current	3.5 mA
Default output current	500 mA
Output current tolerance	$\pm 5$ %
Output ripple current (100 Hz)	< 5 % <sup>8)</sup>
Output PSTLM	$\leq 1$
Output SVM	$\leq 0.4$
Nominal output power	2.7...40 W
Maximum output power	40 W <sup>9)</sup>
Galvanic isolation primary/secondary	SELV
Wireless protocol	Qualified Bluetooth mesh
Wireless range	10 m line of sight
Radio frequency	2.4 GHz
Maximum TX power	+4 dBm

1) Permitted voltage range

2) At full load, 220...240 V, 50 Hz / see graphs

3) Full load at 230 V / 50 Hz

4) at 230 V, 50 Hz

5)  $t_{width} = 7 \mu s$  (measured at 50 %  $I_{peak}$ )

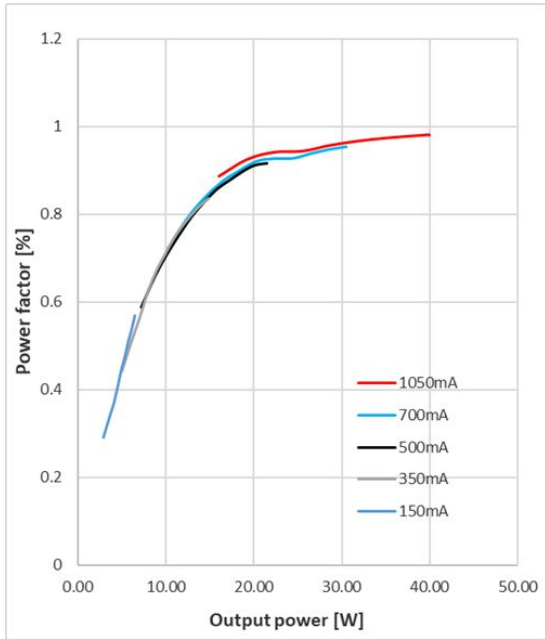
6) Maximum 60 V

7)  $\pm 5\%$

8) <3% for 350-1050mA

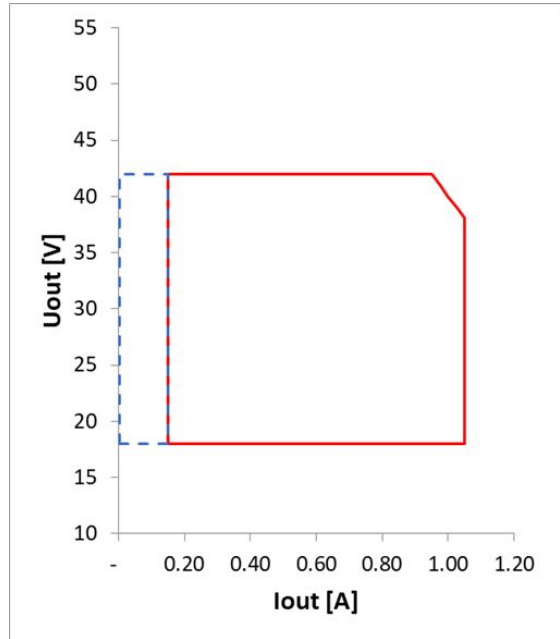
9) Partial load 2.7...40 W

### Typical Power Factor v Load



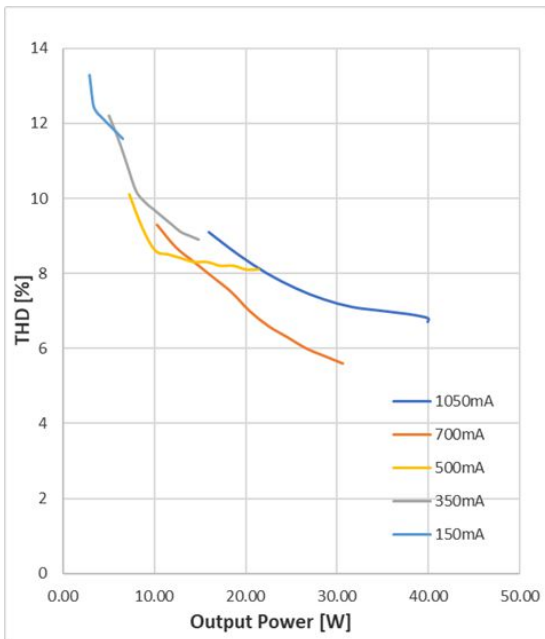
OT 40 Track Power factor

### Operating Window



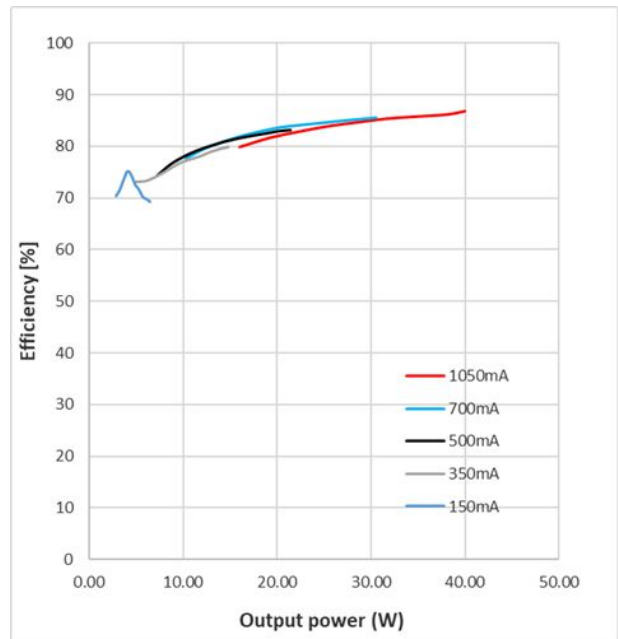
OT 40 Track Operating window

### Typical THD v Load



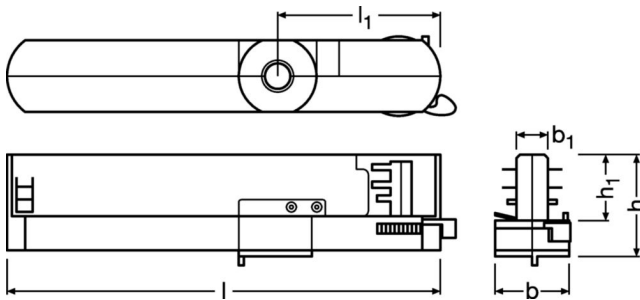
OT 40 Track THD

### Typical Efficiency v Load 230 V 50 Hz



OT 40 Track Efficiency vs Load 230V 50Hz

## Dimensions & weight



<b>Product weight</b>	148.00 g
<b>Length</b>	195.0 mm
<b>Width</b>	31.0 mm
<b>Height</b>	49.9 mm
<b>Mounting hole spacing, length</b>	not relevant mm
<b>Mounting hole spacing, width</b>	not relevant mm
<b>Cable cross-section, input side</b>	not relevant
<b>Cable cross-section, output side</b>	0.75...1.5 mm <sup>2</sup> 1)
<b>Wire preparation length, input side</b>	not relevant
<b>Wire preparation length, output side</b>	8.0...9.0 mm
<b>Cable/wire length, output side</b>	2000 mm

1) Solid or flexible leads

## Colors & materials

<b>Casing material</b>	Plastic
<b>Product color</b>	GREY RAL 7040

## Temperatures & operating conditions

<b>Ambient temperature range</b>	-20...+35 °C
<b>Maximum temperature at tc test point</b>	90 °C 1)
<b>Max.housing temperature in case of fault</b>	110 °C
<b>Temperature range at storage</b>	-40...+85 °C
<b>Permitted rel. humidity during operation</b>	5...85 % 2)

1) Measured on tc point indicated of the product label.

2) Maximum 56 days/year at 85 %

## Lifespan

<b>ECG lifetime</b>	50000 h / 100000 h <sup>1)</sup>
---------------------	----------------------------------

1) T<sub>c</sub> = 90°C - 0.2% / 1,000 h failure rate / T<sub>c</sub> = 80°C, 0.1% / 1,000 h failure rate

## Additional product data

<b>Encapsulated</b>	No
<b>Compatible track systems</b>	Nuco / EUTRAC / GLOBAL / STAFF / NORLUX / Powergear <sup>1)</sup>

1) The compatibility may become invalid when the critical track dimension is modified by the brand owner in case of engineering change or optimization in the future

## Capabilities

<b>Programming interface</b>	NFC
<b>Control interface</b>	qualified Bluetooth mesh
<b>Dimmable</b>	Yes
<b>Dimming interface</b>	Qualified Bluetooth mesh by Silvair
<b>Dimming range</b>	1...100 %
<b>Dimming method</b>	Amplitude Modulation
<b>Constant lumen function</b>	Programmable
<b>Max. cable length to lamp/LED module</b>	2.0 m <sup>1)</sup>
<b>Suitable for fixtures with prot. class</b>	not relevant
<b>Suitable for emergency lighting</b>	No
<b>Type of connection, output side</b>	Push terminal
<b>Suitable for through-wiring</b>	No
<b>Number of channels</b>	1
<b>Overheating protection</b>	Automatic reversible
<b>Overload protection</b>	Automatic reversible
<b>Short-circuit protection</b>	Automatic reversible
<b>Intended for no-load operation</b>	No
<b>No-load proof</b>	Yes

1) Output wires must be routed as close as possible to each other

## Programming

Programming device	NFC
Tuner4TRONIC	Yes
Tuner4TRONIC Field App	Yes

## Programmable features

Dim to Dark	Yes
Soft Switch Off	Yes
Tuning Factor	Yes
Configuration Lock	Yes
Driver Guard	Yes
Emergency Mode	No

## Certificates & standards

Approval marks – approval	CE / UKCA / CQC / RCM
Standards	IEC 61347-1 / IEC 61347-2-13 / IEC 62384 / IEC 62386 / IEC 61000-3-2 / IEC 61000-3-3 / IEC 61547 / CISPR 15 / ETSI EN 300 328 / ETSI EN 300 330 / ETSI EN 301 489 - 1 / ETSI EN 301 489-3 / ETSI EN 301 489-17 / EN 62479
Type of protection	IP20

## Logistical data

Commodity code	85044095900
----------------	-------------

## Environmental information

Information according Art. 33 of EU Regulation (EC) 1907/2006 (REACH)	
Date of Declaration	31-03-2026
Primary Article Identifier	4062172350129   6977770432024
Declaration No. in SCIP database	In work
SCIP_STATUS	In work
SCIP_ID	

## Ecodesign regulation information:

Intended for use with LED modules.

The forward voltage of the LED light source shall be within the defined operating window of the control gear in all operating conditions including dimming if applicable.

Separate control gear and light sources must be disposed of at certified disposal companies in accordance with Directive 2012/19/EU (WEEE) in the EU and with Waste Electrical and Electronic Equipment (WEEE) Regulations 2013 in the UK. For this purpose, collection points for recycling centres and take-back systems (CRSO) are available from retailers or private disposal companies, which accept separate control gear and light sources free of charge. In this way, raw materials are conserved and materials are recycled.

---

## Download Data

File		
CAD data 3-dim	Compressed	▶ OT WI 40 1A0 NFC CAD3PDF 260226
User instruction	PDF	▶ UI OT WI 40 NFC BL T

## Logistical Data

Product code	Product description	Packaging unit (Pieces/Unit)	Dimensions (length x width x height)	Volume	Gross weight
6977770432024 INVENTRONICS	OT Wi 40/220-240/1A0 NFC BL T-G	Shipping carton box 20 Pieces	256 x 225 x 234 mm	13.48 dm <sup>3</sup>	169.40 g

The mentioned product code describes the smallest quantity unit which can be ordered. One shipping unit can contain one or more single products. When placing an order, for the quantity please enter single or multiples of a shipping unit

## Disclaimer

Subject to change without notice. Errors and omission excepted. Always make sure to use the most recent release.

## Accessories Optional

Product description	Accessory name	Accessory code
OT Wi 40/220-240/1A0 NFC BL T-G	Track Joint	▶ 4062172228183
OT Wi 40/220-240/1A0 NFC BL T-G	Track Joint	▶ 6937186119209
OT Wi 40/220-240/1A0 NFC BL T-G	GREY RING	▶ 4062172138543
OT Wi 40/220-240/1A0 NFC BL T-G	GREY RING	▶ 6937186119117
OT Wi 40/220-240/1A0 NFC BL T-G	PRH101 -USB	▶ 6977078996938
OT Wi 40/220-240/1A0 NFC BL T-G	PRH101 -USB	▶ 6937186112354
OT Wi 40/220-240/1A0 NFC BL T-G	CPR30+	▶ 6977078996945
OT Wi 40/220-240/1A0 NFC BL T-G	CPR30+	▶ 6937186112378