

The trusted value of OSRAM Digital Systems continues with Inventronics Global – where experience meets innovation.

PL-CUBE-AC -3000-840-G4 (PHASE OUT)

PrevaLED Cube AC G4 | Spot-, Down- and Wallmount Light Engines and Modules



Product family features

- Mains voltage driven LED engine
- Integrated control gear
- Diameter of light emitting surface: 61 mm
- Common mechanic and photometric interfaces
- Initial color consistency: < 3 SDCM
- Lifetime (L70/B50): 50,000 h (temperature at $T_c = 70\text{ °C}$)
- LED module is reinforced isolated to mounting surface
- Photobiological safety according to IEC/TR 62778, risk group RG1

Product family benefits

- Enables low-cost and compact luminaire designs
- Low profile
- Future-proof dimensions for reliable designs
- Near Lambertian light distribution at 110° beam angle for high quality of light
- Protection against overheating due to thermal derating
- 5 year guarantee



Specifications are subject to changes without notice.

www.inventronicsglobal.com

© 2024, Inventronics GmbH. All rights reserved. Inventronics is a licensee of the OSRAM brand. OSRAM is a trademark of ams OSRAM

support@inventronicsglobal.com

Areas of application

- Suitable for diffuser and reflector luminaires
- Hospitality, hotels, restaurants
- Public and commercial buildings
- Offices
- Secondary rooms, garages, storerooms, cellars

Technical data

Electrical data

Nominal voltage	230.00 V
Nominal current	0.125 A
Type of current	AC
On-mode power	30.1 W
Energy consumption in on-mode	30.1 kWh/1000h
Output PSTLM	≤1
Output SVM	≤0.9
Networked standby power	0

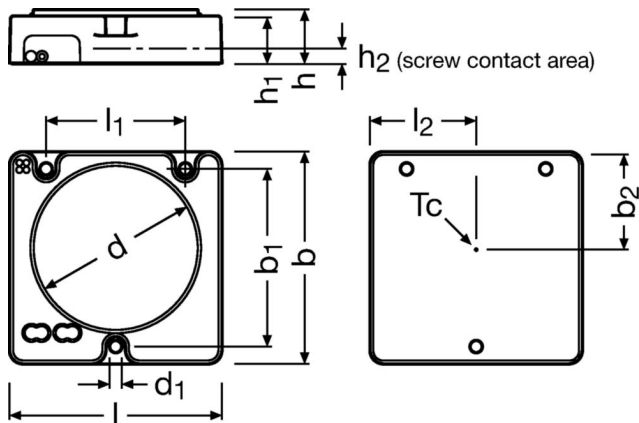
Photometrical data

Luminous efficacy	114 lm/W
Peak luminous intensity	1124
Color Rendering Index	80
Correlated color temperature CCT	3900 K
Colour consistency (McAdam ellipses)	3
Useful luminous flux (Φ_{use})	2604 lm

Light technical data

Beam angle	110 °
Starting time	0 s
Warm-up time (60 %)	0 s

Dimensions & weight



Product weight	60.00 g
Height EPREL	21 mm
Length EPREL	83 mm
Width EPREL	82 mm

Temperatures & operating conditions

Performance temp. acc. to IEC 62717	70 °C
Maximum temperature at tc test point	90 °C
Temperature range at storage	-20...85 °C
Ambient temperature range	-20...+50 °C

Lifespan

Number of switching cycles	100000
Lumen maintenance factor LMF	96
L70B50 lifetime	50000 h

Additional product data

Lighting technology used	LED
--------------------------	-----

Capabilities

Dimmable	No
----------	----

Programming

Tuner4TRONIC	not relevant
Tuner4TRONIC Field App	not relevant

Certificates & standards

Standards	CE / ENEC
Type of protection	IP20
Energy efficiency class	F

Logistical data

Commodity code	8539510000
----------------	------------

Environmental information

Information according Art. 33 of EU Regulation (EC) 1907/2006 (REACH)	
Date of Declaration	26-02-2025
Primary Article Identifier	4062172239554
Declaration No. in SCIP database	In work
SCIP_STATUS	In work
SCIP_ID	

Ecodesign regulation information:

Separate control gear and light sources must be disposed of at certified disposal companies in accordance with Directive 2012/19/EU (WEEE) in the EU and with Waste Electrical and Electronic Equipment (WEEE) Regulations 2013 in the UK. For this purpose, collection points for recycling centres and take-back systems (CRSO) are available from retailers or private disposal companies, which accept separate control gear and light sources free of charge. In this way, raw materials are conserved and materials are recycled.

Download Data

File		
Certificates	PDF	▶ PL ENEC 40031612 090424
Certificates	PDF	▶ PL CUBE AC G4 UKD 4329805 01 240624
Mandatory Publications	PDF	▶ PL CUBE AC G4 CE 4327415 03 240624
User instruction	PDF	▶ UI PrevaLED Cube AC G4 MiCh HIGH X4

Logistical Data

Product code	Product description	Packaging unit (Pieces/Unit)	Dimensions (length x width x height)	Volume	Gross weight
4062172239554	PL-CUBE-AC -3000-840-G4	Shipping carton box 20 Pieces	481 x 393 x 51 mm	9.64 dm ³	97.60 g

The mentioned product code describes the smallest quantity unit which can be ordered. One shipping unit can contain one or more single products. When placing an order, for the quantity please enter single or multiples of a shipping unit

References / Links

For more information on the multi-level guarantee and the terms and conditions of the guarantee visit <https://www.inventronics-light.com/multilevel-guarantees>

Disclaimer

Subject to change without notice. Errors and omission excepted. Always make sure to use the most recent release.