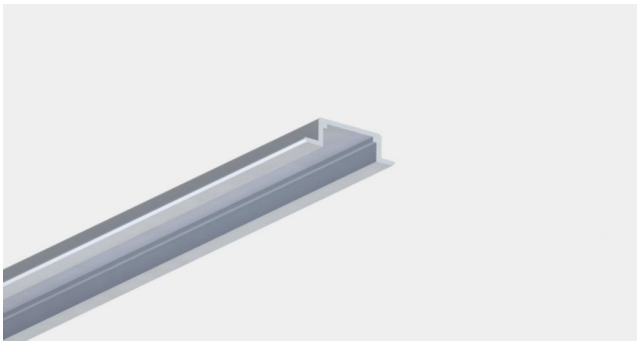


## FX-QMS-G1 -TU15H6W3-300

Recessed slim profile 15x6mm | Accessories for Flexible LED strips



### Product family features

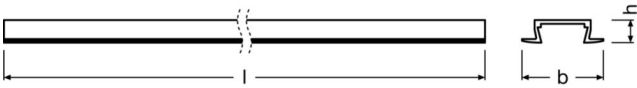
- Can be easily combined with covers for homogeneous light distribution
- Clips for easy installation and maintenance
- Compatible with LINEARlight Flex and TEC Flex
- Ideal even for lighting in confined spaces
- Compatible with LINEARlight Flex and TEC Flex

### Product family benefits

- Plenty of freedom for attractive design and perfect functioning
- Quick and easy installation
- Aluminum profile robust and corrosion-resistant thanks to anodization
- Minimum installation dimensions thanks to compact design

## Technical data

### Dimensions & weight



<b>Length US</b>	118.1 in
<b>Width US</b>	0.87 in
<b>Height US</b>	0.24 in
<b>Product weight US</b>	9.52 oz

## Logistical data

Commodity code	76042990900
Box composition	1 Pieces

## Environmental information

Information according Art. 33 of EU Regulation (EC) 1907/2006 (REACH)	
Date of Declaration	03-04-2026
Primary Article Identifier	4052899448889   6937186126702
Declaration No. in SCIP database	In work
SCIP_STATUS	In work
SCIP_ID	

---

## Download Data

File		
CAD data 3-dim	Compressed	▶FX-QMS-G2-TU15H6W3-300 3D CAD
CAD data	Compressed	▶FX-QMS-G2-TU15H6W3-300 STEP

## Logistical Data

Product code	Product description	Packaging unit (Pieces/Unit)	Dimensions (length x width x height)	Volume	Gross weight
6937186126702 INVENTRONICS	FX-QMS-G1 - TU15H6W3-300	Shipping carton box 40 Pieces	118.9 x 3.94 x 3.94 in	1.07 ft <sup>3</sup>	10.48 oz

The mentioned product code describes the smallest quantity unit which can be ordered. One shipping unit can contain one or more single products. When placing an order, for the quantity please enter single or multiples of a shipping unit

## Disclaimer

Subject to change without notice. Errors and omission excepted. Always make sure to use the most recent release.

## Accessories Optional

Product description	Accessory name	Accessory code
FX-QMS-G1 -TU15H6W3-300	FX-QMS-G2 -CFTL-300	▶ 6937186131744
FX-QMS-G1 -TU15H6W3-300	FX-QMS-G1 -CFDB-300	▶ 6937186148469
FX-QMS-G1 -TU15H6W3-300	FX-QMS-G1 -CFDB-300	▶ 4052899446991
FX-QMS-G1 -TU15H6W3-300	FX-QMS-G1 -CFDB-300	▶ 6937186148469
FX-QMS-G1 -TU15H6W3-300	FX-QMS-G1 -EFGP-TU15H6W3	▶ 4052899449138
FX-QMS-G1 -TU15H6W3-300	FX-QMS-G1 -EFGP-TU15H6W3	▶ 6937186126726
FX-QMS-G1 -TU15H6W3-300	FX-QMS-G1 -CFTL-300	▶ 4052899999749
FX-QMS-G1 -TU15H6W3-300	FX-QMS-G1 -CFTL-300	▶ 6937186148643
FX-QMS-G1 -TU15H6W3-300	FX-QMS-G1 -EFGH-TU15H6W3	▶ 4052899999947
FX-QMS-G1 -TU15H6W3-300	FX-QMS-G1 -EFGH-TU15H6W3	▶ 6937186126528