

B NLC 220-240 LS/PD HB

B NLC 220-240 LS/PD HB | Bluetooth NLC daylight and presence sensor



Product family features

- Presence detection via passive IR element
- Detection height up to 14 meter
- Bluetooth NLC enabled by Silvair
- Suitable for up to 16 DALI-2 LED drivers (Part - 207) in broadcast mode

Product family benefits

- Ambient light dependent control and presence detection
- Shutter included to optimize sensor detection
- Simplified mounting for flush device boxes
- Motion detection height up to 14 m



Areas of application

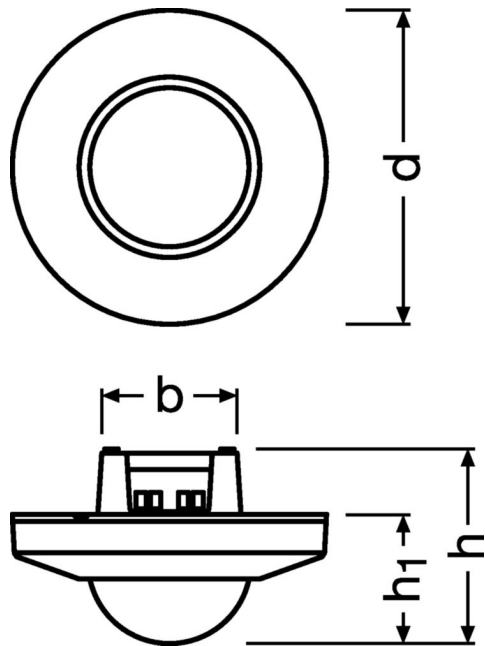
- Suitable for high installation heights
- Entrance halls
- Industry
- Production halls

Technical data

Electrical data

Nominal voltage	220...240 V
Mains frequency	50...60 Hz
Maximum TX power	+4 dBm
Guaranteed supply current (DALI)	40 mA
Maximum supply current (DALI)	250 mA
Average input current	14 mA
Radio frequency	2.4 GHz
Wireless protocol	Bluetooth NLC enabled by Silvair
Wireless range	20 m line of sight
Standby power	< 0.5 W
System wattage	1.00 W

Dimensions & weight



Mounting hole spacing, diagonal	68...80 mm
Product weight	208.22 g
Wire preparation length, output side	6...8 mm
Wire preparation length, input side	6...8 mm
Cable cross-section, output side	1.0...2.5 mm ²
Cable cross-section, input side	1.0...2.5 mm ²
Length	110.0 mm
Width	110.0 mm
Height	66.5 mm
Diameter	105.0 mm

Colors & materials

Product color	White
---------------	-------

Temperatures & operating conditions

Maximum temperature at tc test point	75 °C
Ambient temperature range	-20...+50 °C
Temperature range at storage	-20...70 °C
Permitted rel. humidity during operation	0...90 %
Permitted relative humidity at storage	0...90 %

Lifespan

Lifespan	50000 h ¹⁾
-----------------	-----------------------

1) At T_c max

Capabilities

Operating range, light sensor	10...1500 lx
Detection angle	40 °
Number of control outputs	1 ¹⁾
Dimming interface	DALI-2
Maximum installation height	14 m
Type of sensor	Daylight / PIR
Dimmable	Yes
Type of installation	On-top ceiling mounting
Compatibility	Works with HubSense
Control output	DALI-2
Status Indicator	Blue: Network status ²⁾
Reset	Manual
Number of connected drivers	16
Control interface	Bluetooth NLC
Number of supported push buttons	4
Detection angle (Light sensor)	+/- 30°
Detection angle (PIR)	+/- 55°

1) DALI-2 LED Driver (Part-207), broadcast

2) see additional product information

Certificates & standards

Approval marks – approval	CE / ioXT / PSA
Protection class	2
Type of protection	IP20 ¹⁾
Standards	EN 55015 / EN 61347-2-11 / EN 61547 / EN 62479 / ETSI EN 300 328 / ETSI EN 301 489-17 / ETSI EN 301 489 - 1 / EN 61347-2-1 / IEC 62386-101 / IEC 62386-103 / EN 62493

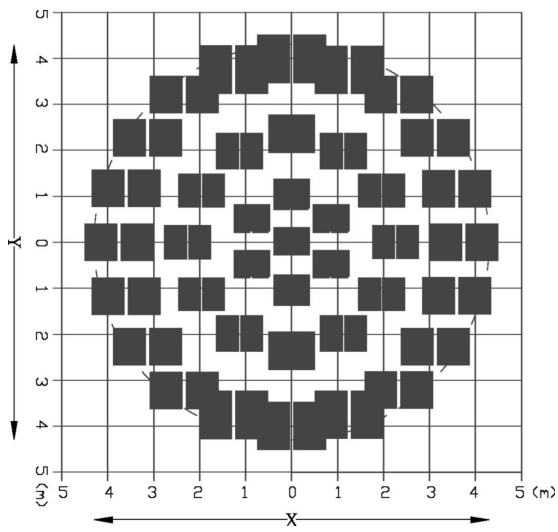
1) with surface mount box IP54

Environmental information

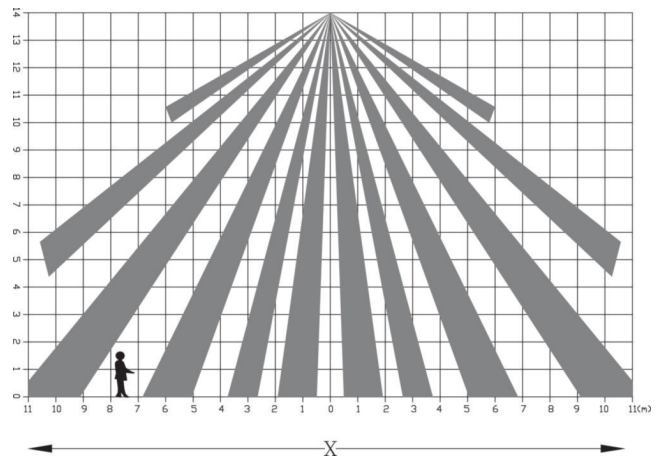
Information according Art. 33 of EU Regulation (EC) 1907/2006 (REACH)	
Primary Article Identifier	6977078990424
Date of Declaration	23-03-2026
Declaration No. in SCIP database	In work
SCIP_STATUS	In work
SCIP_ID	

Equipment / Accessories

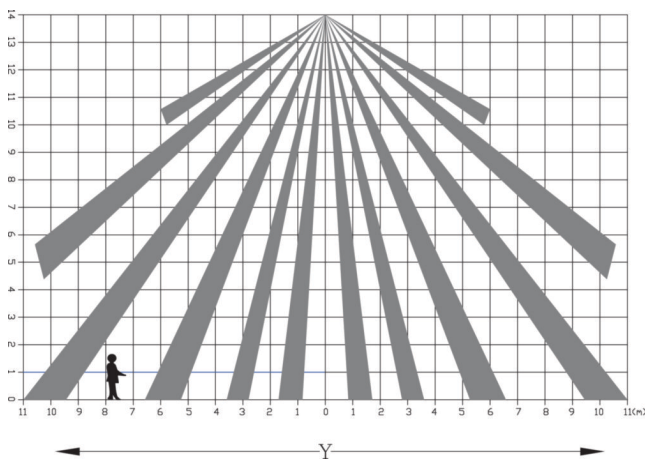
- Surface and recessed ceiling integration via Sensor 220-240 LS/PD KIT



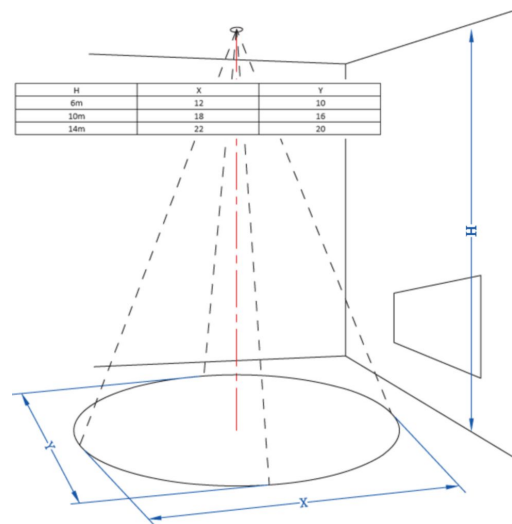
Detection pattern height 220240 LSPD



Detection pattern X direction 220 240 LS PD HB CI



Detection pattern Y direction 220 240 LS PD HB CI



Detection area vs height 220 240 LS PD HB CI

Additional product information

- This device is not allowed to be connected with other DALI Bus power supplies on the same line.
- The maximal total wire length to all connected push buttons must not exceed 10 m.
- By integrating the device into a casing the wireless range could be affected, in particular by metal surfaces. Therefore, the wireless range needs to be verified after integration.
- The device could be reset to factory default by pressing the reset button for longer than 10 sec.
- If the device is not connected to a network, it will take approximately 30 seconds for it to appear as an available device after it is powered on.
- The status LED of the device indicates the following network status. Fast blinking: Not connected to a network. Slow blinking: Connected to a network.
- The device has passed successfully the SILVAIR Testing process.
- The device can be put into operation using the HubSense Commissioning Tool (<https://platform.hubsense.eu>), subject to prior acceptance of the Terms of Use and the Privacy Policy.
- Inventronics may terminate or suspend the use of the HubSense Commissioning Tool at any time and for any or no reason in its sole discretion, even if access and use is continued to be allowed to others.
- The device complies with Bluetooth mesh Standard v1.0. It can also be used in 3rd party Bluetooth mesh network, that complies with this standard and that supports the mesh models of this device, and with certain 3rd party commissioning tools, that support the mesh models of this device. In order to ensure correct interoperability a verification with the 3rd party network components and the 3rd party commissioning tool is necessary in advance. Please contact Inventronics (support@inventronicsglobal.com) to receive the actual list of supported models for this device.
- Inventronics shall have no liability for any 3rd party commissioning tool and does not make any representations, express or implied, about the availability and/or performance of such commissioning tool.
- Inventronics shall have no liability for and does not make any representations, express or implied, about the connectivity of Inventronics B NLC products with any other products, that have passed the SILVAIR Testing process.

Download Data

File		
CAD data 2-dim	Compressed	▶ B NLC 220 240 LS PD HB CAD2PDF 301025
CAD data 2-dim	Compressed	▶ B NLC 220 240 LSPD HB 2PDF 4552216 301025
CAD data 3-dim	Compressed	▶ B NLC 220 240 LS PD HB CAD3PDF 301025
CAD data 3-dim	Compressed	▶ B NLC 220 240 LSPD HB 3PDF 4552216 301025
CAD data	Compressed	▶ B NLC 220 240 LS PD HB IGS 301025
CAD data	Compressed	▶ B NLC 220 240 LS PD HB STEP 301025
CAD data	Compressed	▶ B NLC 220 240 LSPD HB STEP 4552216 301025
CAD data	Compressed	▶ B NLC 220 240 LSPD HB IGS 4552216 301025
User instruction	PDF	▶ B NLC LS PD CI HB KIT UI G15131150 040725

Logistical Data

Product code	Product description	Packaging unit (Pieces/Unit)	Dimensions (length x width x height)	Volume	Gross weight
6977078990424 INVENTRONICS	B NLC 220-240 LS/PD HB	Shipping carton box 24 Pieces	525 x 390 x 215 mm	44.02 dm ³	300.39 g

The mentioned product code describes the smallest quantity unit which can be ordered. One shipping unit can contain one or more single products. When placing an order, for the quantity please enter single or multiples of a shipping unit