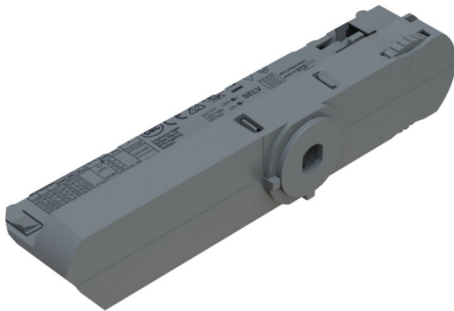


## IT FIT 30/220-240/700 CS T-G

ICUTRONIC FIT CS Track | Compact constant current LED driver – Non dimmable



### Product family features

- AC Supply Voltage 220-240 Vac
- Line frequency: 50 Hz | 60 Hz
- Line voltage: 198...264 V
- SELV LED driver in track adaptor
- Lifetime 50 000 h at tc max
- Dip-switches for easy output current selection
- Low THD <10% @ full load
- Low LF-ripple < 5%

### Product family benefits

- Compact size for miniaturized track light luminaire design
- High light quality due to low ripple current
- Three colors available: White, Grey, Black
- High flexibility due to eight different output currents
- High efficiency (up to 90%)

## Areas of application

- Shops
- Retail outlets
- Public buildings
- Suitable for luminaires of protection class II
- Suitable for three circuits system

## Technical data

### Electrical data

Nominal input voltage	220...240 V
Mains frequency	50/60 Hz
Input voltage AC	198...264 V
Input voltage DC	not relevant
Nominal input current at 230 V	0.151 A
Total harmonic distortion	< 10 % <sup>1)</sup>
Power factor $\lambda$	0.70C...0.96 <sup>2)</sup>
Efficiency in full-load	90 % <sup>3)</sup>
Device power loss	3.3 W <sup>4)</sup>
Networked standby power	not relevant
Inrush current	24.8 A <sup>5)</sup>
Max. ECG no. on circuit breaker 10 A (B)	22
Max. ECG no. on circuit breaker 16 A (B)	36
Surge capability (L-N)	1 kV <sup>6)</sup>
Surge capability (L/N-Ground)	2 kV <sup>7)</sup>
Protective conductor current	<0.7 mA
Nominal output voltage	27...42 V
U-OUT (working voltage)	60 V
Nominal output current	250 mA / 350 mA / 400 mA / 450 mA / 500 mA / 550 mA / 600 mA / 700 mA
Default output current	700 mA
Output current tolerance	±5 %
Output ripple current (100 Hz)	3 %
Output PSTLM	≤1
Output SVM	≤0.4
Nominal output power	6.75...29.4 W
Maximum output power	29.4 W
Galvanic isolation primary/secondary	SELV

1) Full load, 230V, 50 Hz

2) Full load at 230 V / 50 Hz

3) at 230 V, 50 Hz

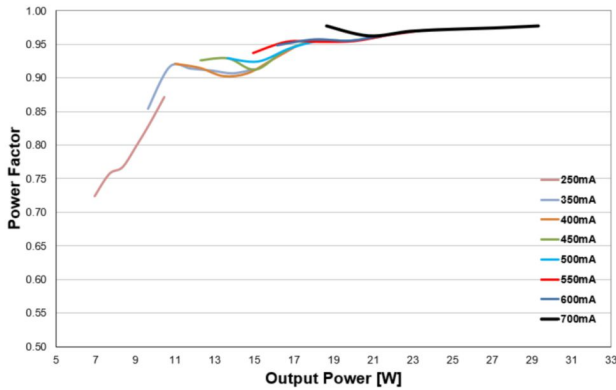
4) At 230 V, Input power 32.7 W max.

5)  $t_{width} = 116 \mu s$  typical (measured at 50 %  $I_{peak}$ )

6) L/N

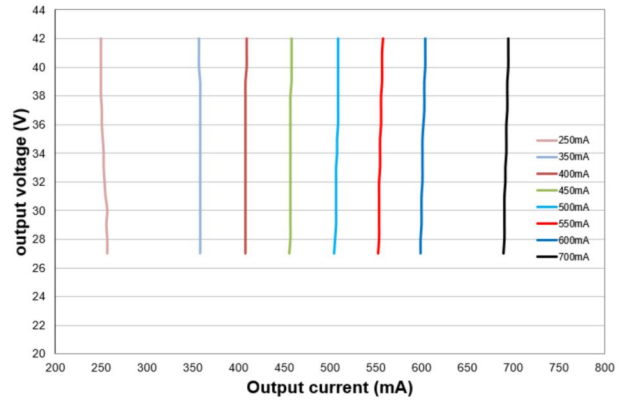
7) L/N – PE acc to EN 61547 (>15 pulses)

## Typical Power Factor v Load



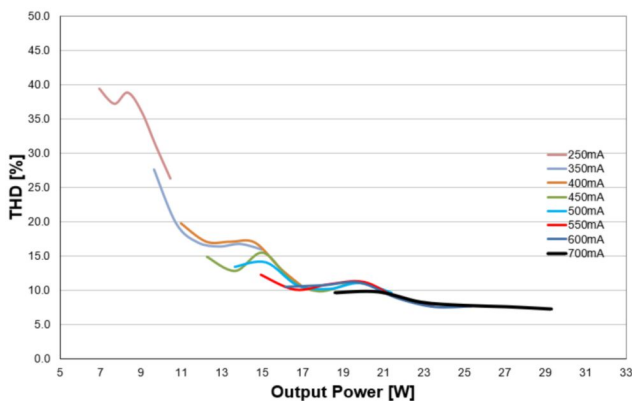
IT FIT 30W CS Track Typical Power factor VS load

## Operating Window



IT FIT 30W CS Track Typical Operating window

## Typical THD v Load



T FIT 30W CS Track Typical THD VS load

## Typical Iout v Rset LEDset2 mode

	250	350	400	450	500	550	600	700
Iout [A]	27	27	27	27	27	27	27	27
U min [V]	42	42	42	42	42	42	42	42
U max [V]	42	42	42	42	42	42	42	42
P min [W]	6.75	9.45	10.8	12.15	13.5	14.85	16.2	18.9
P max [W]	10.5	14.7	16.8	18.9	21	23.1	25.2	29.4
Ta [°C]	35	35	35	35	35	35	35	35
Tc [°C]	70	70	70	70	70	70	70	70
Line Current, nominal @230V [mA]	60	84	92	100	111	120	132	151

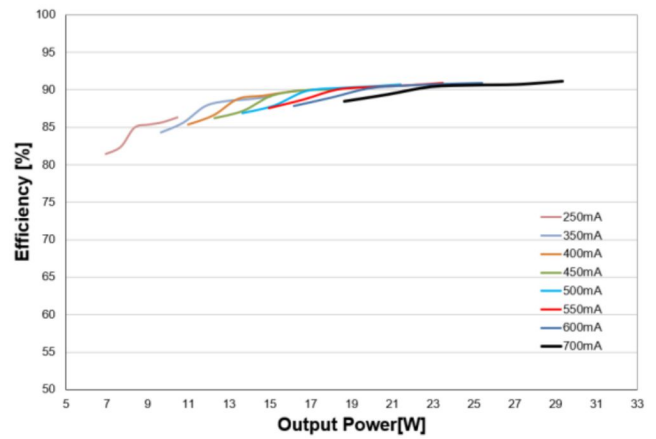
IT FIT 30W CS Track Rated output power and current sets

## Typical Iout v Rset LEDset2 mode

PIN1	PIN2	PIN3	Iout(mA)
OFF	OFF	OFF	250
ON	OFF	OFF	350
OFF	ON	OFF	400
OFF	OFF	ON	450
ON	ON	OFF	500
ON	OFF	ON	550
OFF	ON	ON	600
ON	ON	ON	700

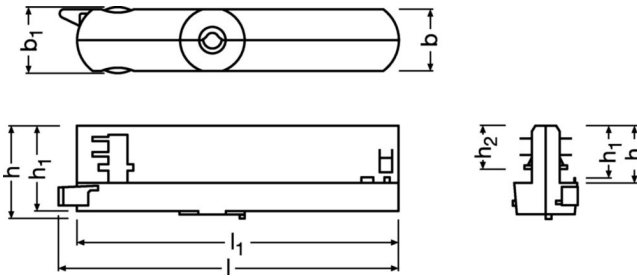
IT FIT 30W CS Track Current selection

## Typical Efficiency v Load 230 V 50 Hz



IT FIT 30W CS Track Typical Efficiency VS load

## Dimensions & weight



<b>Product weight</b>	108.00 g
<b>Length</b>	167.0 mm
<b>Width</b>	33.0 mm
<b>Height</b>	46.0 mm
<b>Cable cross-section, output side</b>	0.5...1.5 mm <sup>2</sup>
<b>Wire preparation length, output side</b>	7...8 mm
<b>Cable/wire length, output side</b>	2000 mm

## Colors & materials

<b>Casing material</b>	Plastic
<b>Product color</b>	GREY RAL 7040

## Temperatures & operating conditions

<b>Ambient temperature range</b>	-20...+35 °C
<b>Maximum temperature at tc test point</b>	70 °C
<b>Max.housing temperature in case of fault</b>	110 °C
<b>Temperature range at storage</b>	-20...80 °C <sup>1)</sup>
<b>Permitted rel. humidity during operation</b>	5...85 % <sup>2)</sup>

1) Cool down before operating

2) Maximum 56 days/year at 85 %

## Lifespan

<b>ECG lifetime</b>	50000 h <sup>1)</sup>
---------------------	-----------------------

1) At maximum  $T_c = 70^\circ\text{C}$  / 10% failure rate

## Additional product data

<b>Encapsulated</b>	No
<b>Compatible track systems</b>	Nuco / Ivela / EUTRAC / GLOBAL / STAFF / NORLUX / Unipro / Powergear / ERCO <sup>1)</sup>

1) The compatibility may become invalid when the critical track dimension is modified by the brand owner in case of engineering change or optimization in the future

## Capabilities

<b>Programming interface</b>	Dipswitch
<b>Dimmable</b>	No
<b>Max. cable length to lamp/LED module</b>	2.0 m <sup>1)</sup>
<b>Suitable for fixtures with prot. class</b>	II
<b>Suitable for emergency lighting</b>	No
<b>Type of connection, input side</b>	not relevant
<b>Type of connection, output side</b>	Push terminal
<b>Number of channels</b>	1
<b>Overheating protection</b>	Automatic reversible
<b>Overload protection</b>	Automatic reversible
<b>Short-circuit protection</b>	Automatic reversible
<b>Intended for no-load operation</b>	No
<b>No-load proof</b>	Yes

1) Output wires must be routed as close as possible to each other

## Programming

Programming device	DIPswitch
--------------------	-----------

## Certificates & standards

Approval marks – approval	CE / ENEC / RCM / CQC / UKCA
Standards	IEC 61347-1 / IEC 61347-2-13 / IEC 62384 / CISPR 15 / IEC 61000-3-2 / IEC 61547
Type of protection	IP20

## Logistical data

Commodity code	85044083900
----------------	-------------

## Environmental information

Information according Art. 33 of EU Regulation (EC) 1907/2006 (REACH)	
Date of Declaration	31-03-2026
Primary Article Identifier	4062172379861   6977078999021   6977770437265
Declaration No. in SCIP database	In work
SCIP_STATUS	In work
SCIP_ID	

## Ecodesign regulation information:

Intended for use with LED modules.

The forward voltage of the LED light source shall be within the defined operating window of the control gear in all operating conditions including dimming if applicable.

Separate control gear and light sources must be disposed of at certified disposal companies in accordance with Directive 2012/19/EU (WEEE) in the EU and with Waste Electrical and Electronic Equipment (WEEE) Regulations 2013 in the UK. For this purpose, collection points for recycling centres and take-back systems (CRSO) are available from retailers or private disposal companies, which accept separate control gear and light sources free of charge. In this way, raw materials are conserved and materials are recycled.

## Additional product information

- Hot plug-in or secondary switching of LEDs is not permitted and may cause a very high current to the LEDs.
- Indication that the lamp control gear relies upon the luminaire enclosure for protection against accidental contact with live parts.
- The max. mechanical loading  $F_{max}$  for the track driver mounted on the ceiling is 50N, which should be intended as the whole system inclusive of the weight of luminaires and accessories.
- The max. mechanical loading  $F_{max}$  for the track driver mounted on the wall is 25N, which should be intended as the whole system inclusive of the weight of luminaires and accessories.

---

## Download Data

File		
CAD data 3-dim	Compressed	▶ CAD of IT FIT CS T
User instruction	PDF	▶ UI IT FIT CS T

## Logistical Data

Product code	Product description	Packaging unit (Pieces/Unit)	Dimensions (length x width x height)	Volume	Gross weight
6977770437265 INVENTRONICS	IT FIT 30/220-240/700 CS T-G	Shipping carton box 20 Pieces	378 x 187 x 118 mm	8.34 dm <sup>3</sup>	122.95 g

The mentioned product code describes the smallest quantity unit which can be ordered. One shipping unit can contain one or more single products. When placing an order, for the quantity please enter single or multiples of a shipping unit

## Disclaimer

Subject to change without notice. Errors and omission excepted. Always make sure to use the most recent release.