

PL-LIN-Z5 2200-830 560X20-LV

PrevaLED Linear G5 | Linear Light Engines

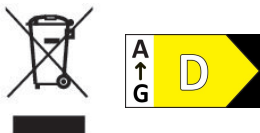


Product family features

- Module efficacy: up to 193 lm/W
- Available with luminous flux: 275 lm on 70 mm
- Available with luminous flux: 1,100 lm or 2,000 lm on 280 mm
- Available with luminous flux: 2,000 lm, 4,000 lm on 560 mm
- Available with luminous flux: 4,400 lm on 1,120 mm
- Available with luminous flux: 5,500 lm on 1,400 mm
- Available with color temperature: 3,000 K, 4,000 K or 6,500 K
- High initial color consistency: ≤ 3 SDCM
- Average lifetime (L80 B50): $> 70,000$ h (temperature at $T_c = 50^\circ\text{C}$)
- CE marked, ENEC certified; UL listed

Product family benefits

- Slim luminaire design by small and flexible form factor
- High homogeneity thanks to small LED pitch
- High voltage (HV) for serial connection
- Low voltage (LV) for parallel connection
- High voltage (HV) optimized for non-isolated, low voltage (LV) optimized for SELV operation
- Adjustable luminous flux, efficacy and lifetime
- Direct the light where it's needed while using PrevaLED Linear Optics



Areas of application

- Office
- Industry

Technical data

Electrical data

Nominal voltage	23.50 V
Nominal current	0.5 A
Type of current	DC
On-mode power	12.2 W
Energy consumption in on-mode	12.2 kWh/1000h
Max. drive current	1000 mA

Photometrical data

Luminous efficacy	174 lm/W
Color Rendering Index	80
Color rendering index Ra	80
Correlated color temperature CCT	3000 K
Colour consistency (McAdam ellipses)	3
Useful luminous flux (Φ_{use})	2070 lm

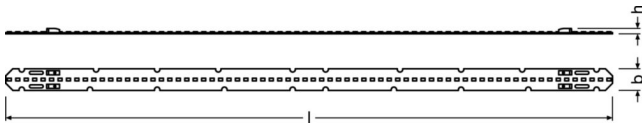
Light technical data

Starting time	0 s
Warm-up time (60 %)	0 s

LED module information

Number of LEDs per module	72
---------------------------	----

Dimensions & weight



Product weight	40.00 g
Height EPREL	5 mm
Length EPREL	560 mm
Width EPREL	20 mm

Temperatures & operating conditions

Performance temp. acc. to IEC 62717	50 °C
Maximum temperature at tc test point	75 °C
Temperature range at storage	-30...85 °C
Ambient temperature range	-20...+75 °C

Lifespan

Number of switching cycles	100000
Lumen maintenance factor LMF	96
L70B50 lifetime	100000 h

Additional product data

Lighting technology used	LED
--------------------------	-----

Certificates & standards

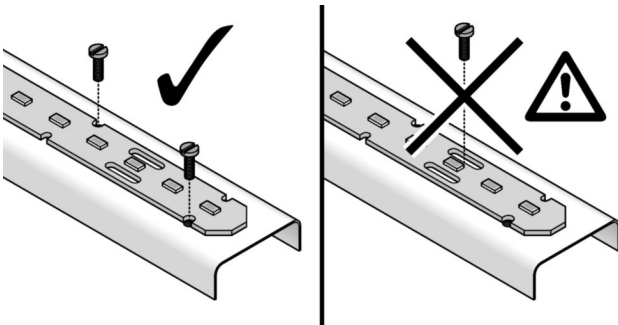
Standards	CE / ENEC / VDE
Type of protection	IP20
Energy efficiency class	D

Logistical data

Commodity code	85414100000
-----------------------	-------------

Environmental information

Information according Art. 33 of EU Regulation (EC) 1907/2006 (REACH)	
Date of Declaration	31-03-2026
Primary Article Identifier	4052899607187 6937186148087
Declaration No. in SCIP database	In work
SCIP_STATUS	In work
SCIP_ID	



PL LIN G5 G6 Mounting Guidance 251021

Ecodesign regulation information:

Separate control gear and light sources must be disposed of at certified disposal companies in accordance with Directive 2012/19/EU (WEEE) in the EU and with Waste Electrical and Electronic Equipment (WEEE) Regulations 2013 in the UK. For this purpose, collection points for recycling centres and take-back systems (CRSO) are available from retailers or private disposal companies, which accept separate control gear and light sources free of charge. In this way, raw materials are conserved and materials are recycled.

Additional product information

- When parallel wiring, tolerance-related differences in output are possible and may cause deviations in brightness.

Download Data

File		
CAD data 3-dim	Compressed	▶ PL LIN Z5 Z6 2200 560x20 LV CADPDF 180326

Logistical Data

Product code	Product description	Packaging unit (Pieces/Unit)	Dimensions (length x width x height)	Volume	Gross weight
6937186148087 INVENTRONICS	PL-LIN-Z5 2200-830 560X20-LV	Shipping carton box 60 Pieces	592 x 252 x 100 mm	14.92 dm ³	47.30 g

The mentioned product code describes the smallest quantity unit which can be ordered. One shipping unit can contain one or more single products. When placing an order, for the quantity please enter single or multiples of a shipping unit

Disclaimer

Subject to change without notice. Errors and omission excepted. Always make sure to use the most recent release.