

## PL-LIN-Z6 245-930 62X20-HV

PrevaLED Linear G6 CRI90 | Linear Light Engines



### Product family features

- Module efficacy: up to 173 lm/W
- Available with luminous flux: 245 lm on 62 mm, 275 lm on 70 mm
- Available with luminous flux: 1,100 lm or 2,000 lm on 280 mm
- Available with luminous flux: 2,200 lm or 4,000 lm on 560 mm
- Color rendering index: > 90
- High initial color consistency:  $\leq 3$  SDCM
- Average lifetime (L80 B50): > 70,000 h (temperature at  $T_c = 50^\circ\text{C}$ )
- CE marked, ENEC certified; UL listed

### Product family benefits

- Slim luminaire design by small and flexible form factor
- High homogeneity thanks to small LED pitch
- High voltage (HV) optimized for non-isolated, low voltage (LV) optimized for SELV operation
- Adjustable luminous flux, efficacy and lifetime
- Direct the light where it's needed while using PrevaLED Linear Optics



## Areas of application

- Office
- Industry

## Technical data

### Electrical data

Nominal voltage	5.30 V
Nominal current	0.3 A
Type of current	DC
On-mode power	1.7 W
Energy consumption in on-mode	1.7 kWh/1000h
Max. drive current	600 mA

### Photometrical data

Luminous efficacy	145 lm/W
Color Rendering Index	90
Color rendering index Ra	90
Correlated color temperature CCT	3000 K
Colour consistency (McAdam ellipses)	3
Useful luminous flux ( $\Phi_{use}$ )	228 lm

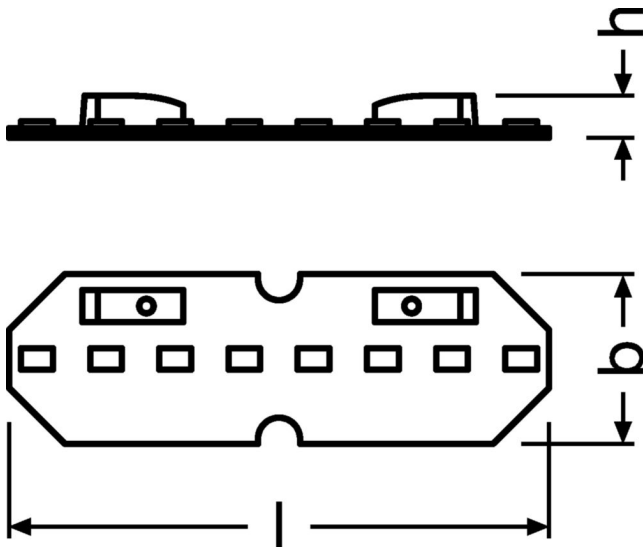
### Light technical data

Starting time	0 s
Warm-up time (60 %)	0 s

### LED module information

Number of LEDs per module	8
---------------------------	---

## Dimensions & weight



Product weight	5.00 g
Height EPREL	5 mm
Length EPREL	62 mm
Width EPREL	20 mm

## Temperatures & operating conditions

Performance temp. acc. to IEC 62717	50 °C
Maximum temperature at tc test point	75 °C
Temperature range at storage	-30...85 °C
Ambient temperature range	-20...+75 °C

## Lifespan

Number of switching cycles	100000
Lumen maintenance factor LMF	96
L70B50 lifetime	100000 h

## Additional product data

Lighting technology used	LED
--------------------------	-----

## Certificates & standards

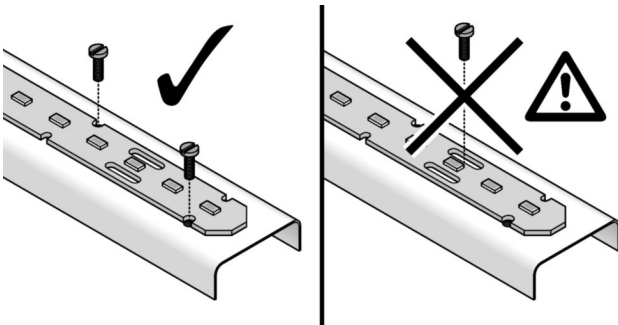
<b>Standards</b>	CE / ENEC / VDE
<b>Type of protection</b>	IP20
<b>Energy efficiency class</b>	E

## Logistical data

<b>Commodity code</b>	85414100000
-----------------------	-------------

## Environmental information

Information according Art. 33 of EU Regulation (EC) 1907/2006 (REACH)	
<b>Date of Declaration</b>	31-03-2026
<b>Primary Article Identifier</b>	4052899607965   6937186101082
<b>Declaration No. in SCIP database</b>	In work
<b>SCIP_STATUS</b>	In work
<b>SCIP_ID</b>	



---

PL LIN G5 G6 Mounting Guidance 251021

## Ecodesign regulation information:

Separate control gear and light sources must be disposed of at certified disposal companies in accordance with Directive 2012/19/EU (WEEE) in the EU and with Waste Electrical and Electronic Equipment (WEEE) Regulations 2013 in the UK. For this purpose, collection points for recycling centres and take-back systems (CRSO) are available from retailers or private disposal companies, which accept separate control gear and light sources free of charge. In this way, raw materials are conserved and materials are recycled.

## Additional product information

- When parallel wiring, tolerance-related differences in output are possible and may cause deviations in brightness.

---

## Download Data

File		
CAD data 3-dim	Compressed	▶ PL LIN Z6 245 62x20 HV CADPDF 180326

## Logistical Data

Product code	Product description	Packaging unit (Pieces/Unit)	Dimensions (length x width x height)	Volume	Gross weight
6937186101082 INVENTRONICS	PL-LIN-Z6 245-930 62X20-HV	Shipping carton box 60 Pieces	290 x 172 x 95 mm	4.74 dm <sup>3</sup>	8.30 g

The mentioned product code describes the smallest quantity unit which can be ordered. One shipping unit can contain one or more single products. When placing an order, for the quantity please enter single or multiples of a shipping unit

## Disclaimer

Subject to change without notice. Errors and omission excepted. Always make sure to use the most recent release.