



## Areas of application

- Office
- Industry

## Technical data

### Electrical data

Nominal voltage	23.60 V
Nominal current	0.125 A
Type of current	DC
On-mode power	3.1 W
Energy consumption in on-mode	3.1 kWh/1000h
Max. drive current	250 mA

### Photometrical data

Luminous efficacy	196 lm/W
Color Rendering Index	80
Color rendering index Ra	80
Correlated color temperature CCT	6500 K
Colour consistency (McAdam ellipses)	3
Useful luminous flux ( $\Phi_{use}$ )	554 lm

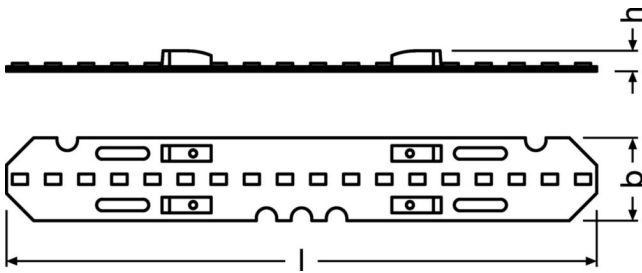
### Light technical data

Starting time	0 s
Warm-up time (60 %)	0 s

### LED module information

Number of LEDs per module	18
---------------------------	----

## Dimensions & weight



<b>Product weight</b>	10.00 g
<b>Height EPREL</b>	5 mm
<b>Length EPREL</b>	140 mm
<b>Width EPREL</b>	20 mm

## Temperatures & operating conditions

<b>Performance temp. acc. to IEC 62717</b>	50 °C
<b>Maximum temperature at tc test point</b>	75 °C
<b>Temperature range at storage</b>	-30...85 °C
<b>Ambient temperature range</b>	-20...+75 °C

## Lifespan

<b>Number of switching cycles</b>	100000
<b>Lumen maintenance factor LMF</b>	96
<b>L70B50 lifetime</b>	100000 h

## Additional product data

<b>Lighting technology used</b>	LED
---------------------------------	-----

## Certificates & standards

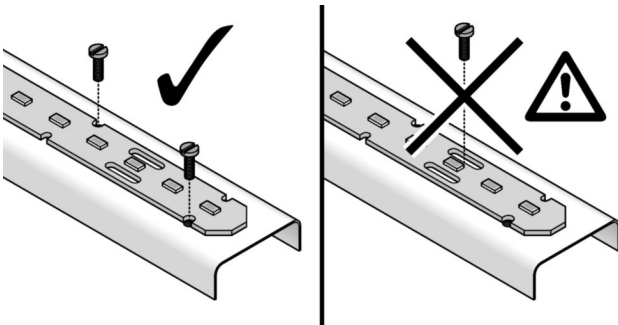
<b>Standards</b>	CE / ENEC / VDE
<b>Type of protection</b>	IP20
<b>Energy efficiency class</b>	C

## Logistical data

<b>Commodity code</b>	85414100000
-----------------------	-------------

## Environmental information

Information according Art. 33 of EU Regulation (EC) 1907/2006 (REACH)	
<b>Date of Declaration</b>	02-04-2026
<b>Primary Article Identifier</b>	4052899606050   6937186100689
<b>Declaration No. in SCIP database</b>	In work
<b>SCIP_STATUS</b>	In work
<b>SCIP_ID</b>	



---

PL LIN G5 G6 Mounting Guidance 251021

## Ecodesign regulation information:

Separate control gear and light sources must be disposed of at certified disposal companies in accordance with Directive 2012/19/EU (WEEE) in the EU and with Waste Electrical and Electronic Equipment (WEEE) Regulations 2013 in the UK. For this purpose, collection points for recycling centres and take-back systems (CRSO) are available from retailers or private disposal companies, which accept separate control gear and light sources free of charge. In this way, raw materials are conserved and materials are recycled.

## Additional product information

- When parallel wiring, tolerance-related differences in output are possible and may cause deviations in brightness.

## Logistical Data

Product code	Product description	Packaging unit (Pieces/Unit)	Dimensions (length x width x height)	Volume	Gross weight
6937186100689 INVENTRONICS	PL-LIN-Z6 550-865 140X20-LV	Shipping carton box 60 Pieces	290 x 172 x 95 mm	4.74 dm <sup>3</sup>	12.77 g

The mentioned product code describes the smallest quantity unit which can be ordered. One shipping unit can contain one or more single products. When placing an order, for the quantity please enter single or multiples of a shipping unit

## Disclaimer

Subject to change without notice. Errors and omission excepted. Always make sure to use the most recent release.