

SENSOR HF P Z

Stand-alone sensors



Product family features

- Microwave stand-alone sensor with 24V switching contact
- It works with OPTOTRONIC DEXAL G2 OUTDOOR
- Programmable CCT and FLUX output, based on presence detection by Tuner 4 Tronic
- Up to 13 m: detection of vehicle movement
- Large detection area, up to 14 meters
- Works at any temperature range (-20° / +60°C)

Product family benefits

- Sensor compatible with Zhaga Book 18 socket
- Accurate presence detection
- Robust and rugged system solution for outdoor environment

Areas of application

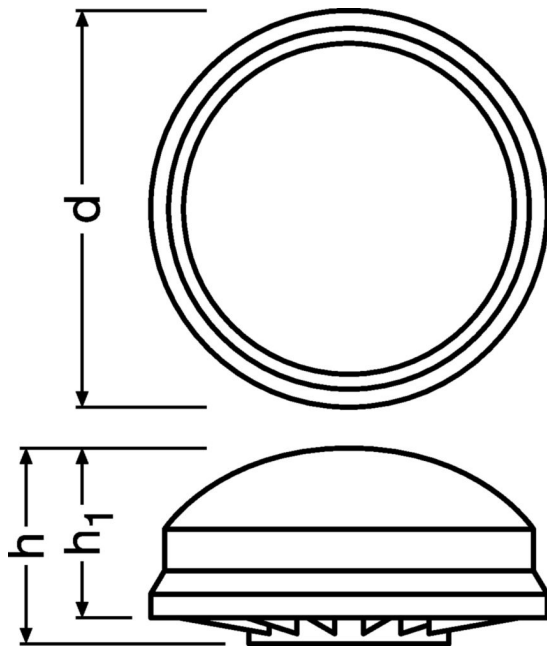
- Parking lots
- City parks
- Area lighting

Technical data

Electrical data

Input voltage DC	24 V
Nominal voltage	13,5 ... 22,5 V
Mains frequency	0 Hz
Peak input current	80 mA
Average input current	60 mA
System wattage	0.30 W

Dimensions & weight



Product weight	70.00 g
Wire preparation length, input side	7...9 mm
Cable cross-section, input side	0.25...0.75 mm ²
Length	79.5 mm
Width	79.5 mm
Height	49.0 mm
Diameter	79.5 mm

Temperatures & operating conditions

Maximum temperature at tc test point	65 °C
Ambient temperature range	-25...+60 °C
Temperature range at storage	-30...70 °C
Permitted rel. humidity during operation	0...95 %
Permitted relative humidity at storage	0...95 %

Lifespan

Lifespan	50000 h
----------	---------

Capabilities

Detection angle	+/-45° °
Detection area	140 m ²
Maximum installation height	13 m
Type of sensor	Microvawe
Dimmable	Yes
Type of installation	Luminaire integration
Compatibility	Works with Inventronics HubSense / Works with Inventronics DEXAL

Certificates & standards

Approval marks – approval	CE
Protection class	II
Type of protection	IP65

Environmental information

Information according Art. 33 of EU Regulation (EC) 1907/2006 (REACH)	
Primary Article Identifier	6937186103543
Candidate List Substance 1	Lead
CAS No. of substance 1	7439-92-1
Date of Declaration	31-03-2026
Declaration No. in SCIP database	efcfe9a2-8012-4bb4-9e79-01856c7f3166
Safe Use Instruction	The identification of the Candidate List substance is sufficient to allow safe use of the article.
SCIP_ID	

Download Data

File		
User instruction	PDF	▶G15130378_UI_HF_P_Z_PD_P_Z_LOW_04

Logistical Data

Product code	Product description	Packaging unit (Pieces/Unit)	Dimensions (length x width x height)	Volume	Gross weight
6937186103543 INVENTRONICS	SENSOR HF P Z	Shipping carton box 18 Pieces	318 x 312 x 140 mm	13.89 dm ³	132.72 g

The mentioned product code describes the smallest quantity unit which can be ordered. One shipping unit can contain one or more single products. When placing an order, for the quantity please enter single or multiples of a shipping unit