

B NLC D4i HF P Z

Light management systems



Product family features

- Microwave, PIR or light sensor
- Bluetooth NLC enabled by Silvair
- Control of D4i drivers or DALI drivers with additional DALI bus power supply
- Intended for installation to Zhaga socket 18
- Works with Inventronics D4i LED drivers

Product family benefits

- Standard communication protocol released by Bluetooth SIG
- Design freedom due to standard dimensions
- Easy to integrate in luminaire
- Minimize internal wiring in combination with D4i drivers
- Secured product communication granted by ioXT and PSA Certificates

Areas of application

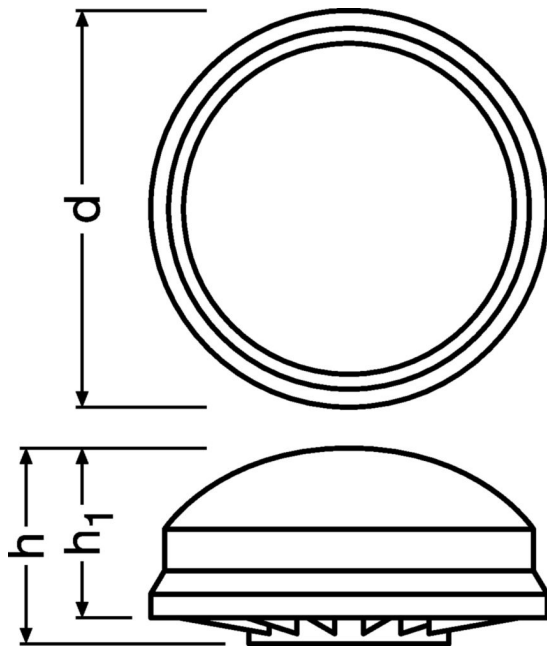
- Area lighting
- Parking areas
- Cycle lanes
- City parks

Technical data

Electrical data

Input voltage DC	24 V
Nominal voltage	13,5 ... 22,5 V
Mains frequency	0 Hz
Maximum TX power	+8 dBm
Peak input current	80 mA
Average input current	60 mA
Radio frequency	2.4 GHz
Wireless protocol	Bluetooth NLC enabled by Silvair
Wireless range	40 m line of sight
Required DALI current (typical)	20 mA
Peak DALI current	30 mA
System wattage	0.30 W

Dimensions & weight



Product weight	70.00 g
Wire preparation length, input side	7...9 mm
Cable cross-section, input side	0.25...0.75 mm ²
Length	79.5 mm
Width	79.5 mm
Height	49.0 mm
Maximum allowed cable length	10
Diameter	79.5 mm

Temperatures & operating conditions

Maximum temperature at tc test point	65 °C
Ambient temperature range	-25...+60 °C
Temperature range at storage	-30...70 °C
Permitted rel. humidity during operation	0...95 %
Permitted relative humidity at storage	0...95 %

Lifespan

Lifespan	50000 h
-----------------	---------

Capabilities

Detection angle	+/-45° °
Dimming interface	D4i
Detection area	140 m ²
Maximum installation height	13 m
Type of sensor	Microvawe
Dimmable	Yes
Type of installation	Luminaire integration
Compatibility	Works with Inventronics HubSense / Works with Inventronics DEXAL
Control output	D4i
Reset	Magnetic ¹⁾
Number of connected drivers	4
Control interface	Bluetooth NLC

1) by magnet

Certificates & standards

Approval marks – approval	CE / D4i
Protection class	II
Type of protection	IP65

Environmental information

Information according Art. 33 of EU Regulation (EC) 1907/2006 (REACH)	
Primary Article Identifier	6977078990486
Date of Declaration	23-03-2026
Declaration No. in SCIP database	In work
SCIP_STATUS	In work
SCIP_ID	

Download Data

File		
CAD data 2-dim	Compressed	▶ B NLC D4I HF P Z 2PDF 4551748 221025
CAD data 3-dim	Compressed	▶ B NLC D4I HF P Z 3PDF 4551748 221025
CAD data	Compressed	▶ B NLC D4I HF P Z IGS 4551748 221025
CAD data	Compressed	▶ B NLC D4I HF P Z STEP 4551748 221025
User instruction	PDF	▶ G15130023_UI_B_NLC_D4I_HF_LS_PD_P_Z_03

Logistical Data

Product code	Product description	Packaging unit (Pieces/Unit)	Dimensions (length x width x height)	Volume	Gross weight
6977078990486 INVENTRONICS	B NLC D4I HF P Z	Shipping carton box 18 Pieces	318 x 312 x 140 mm	13.89 dm ³	132.72 g

The mentioned product code describes the smallest quantity unit which can be ordered. One shipping unit can contain one or more single products. When placing an order, for the quantity please enter single or multiples of a shipping unit