

B NLC DALI CONV

Light management systems



Product family features

- Bluetooth NLC enabled by Silvair
- Works with Inventronics Hubsense®
- Suitable for up to 32 DALI-2 LED drivers (Part - 207) in broadcast mode or 0.10 V systems
- Compact size: 108 x 30 x 21 mm

Product family benefits

- Simple solution to control a line of DALI-2 or 0.10V luminaires
- Easy to integrate in luminaire or to install in a separated box
- Secured product communication granted by ioXT and PSA Certificates



Areas of application

- Open offices
- Individual offices
- Conference rooms
- Classrooms
- Storage and break areas
- Stairways
- Toilets

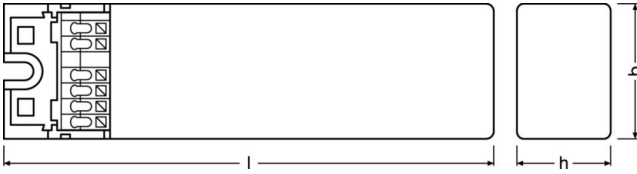
Technical data

Electrical data

Nominal voltage	220...240 V
Mains frequency	50/60 Hz
Maximum TX power	+8 dBm
Guaranteed supply current (DALI)	82 mA
Maximum supply current (DALI)	250 mA ¹⁾
Radio frequency	2.4 GHz
Wireless protocol	Qualified Bluetooth mesh enabled by Silvair
Wireless range	10 m line of sight
Standby power	< 0.5 W
System wattage	1.90 W

1) see additional product information

Dimensions & weight



Product weight	44.00 g
Wire preparation length, output side	8.0...9.0 mm
Wire preparation length, input side	8.0...9.0 mm
Cable cross-section, output side	0.5...1.5 mm ²
Cable cross-section, input side	0.5...1.5 mm ²
Length	108.0 mm
Width	30.0 mm
Height	21.0 mm
Diameter	not relevant

Temperatures & operating conditions

Maximum temperature at tc test point	70 °C
Ambient temperature range	-20...+60 °C
Temperature range at storage	0...60 °C
Permitted rel. humidity during operation	0...85 % ¹⁾
Permitted relative humidity at storage	0...85 % ¹⁾

1) Non-condensing

Lifespan

Lifespan	50000 h ¹⁾
-----------------	-----------------------

1) At T_c max

Capabilities

Number of control outputs	1
Dimming interface	DALI-2
Dimmable	Yes
Type of installation	Luminaire integration ¹⁾
Compatibility	Works with Inventronics HubSense
Control output	yes
Status Indicator	Blue: Network status ²⁾
Reset	Manual ²⁾
Number of connected drivers	32
Control interface	qualified Bluetooth mesh
Number of supported push buttons	1

1) Ceiling or independent installation via ECO CI KIT possible

2) see additional product information

Certificates & standards

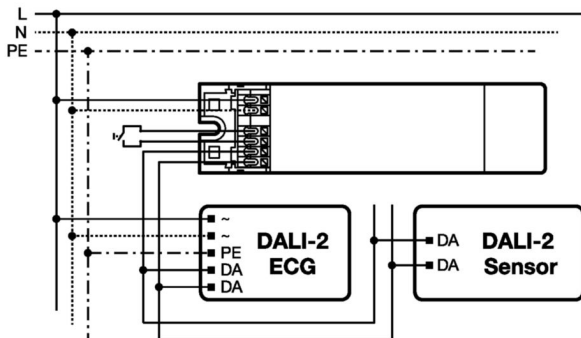
Approval marks – approval	CE / DALI-2 / ioXT / PSA
Protection class	II
Type of protection	IP20
Standards	EN 55015 / EN 61347-1 / EN 61347-2-11 / EN 61547 / EN 62479 / ETSI EN 300 328 / ETSI EN 301 489-17 / ETSI EN 301 489 - 1

Environmental information

Information according Art. 33 of EU Regulation (EC) 1907/2006 (REACH)	
Primary Article Identifier	6977078991605
Date of Declaration	17-04-2026
Declaration No. in SCIP database	In work
SCIP_STATUS	Processed
SCIP_ID	

Wiring Diagram

Wiring scheme / Anschluss-Schema



DALI CONV LI WD 281119

Additional product information

- This device is not allowed to be connected with other DALI Bus power supplies on the same line.
- The maximal total wire length to all connected push buttons must not exceed 10 m.
- By integrating the device into a casing the wireless range could be affected, in particular by metal surfaces. Therefore, the wireless range needs to be verified after integration.
- The device could be reset to factory default by pressing the reset button for longer than 10 sec.
- If the device is not connected to a network, it will take approximately 30 seconds for it to appear as an available device after it is powered on.
- The status LED of the device indicates the following network status. Fast blinking: Not connected to a network. Slow blinking: Connected to a network.
- The device has passed successfully the SILVAIR Testing process.
- The device can be put into operation using the Inventronics HubSense Commissioning Tool (<https://platform.hubsense.eu>), subject to prior acceptance of the Terms of Use and the Privacy Policy.
- Inventronics may terminate or suspend the use of the HubSense Commissioning Tool at any time and for any or no reason in its sole discretion, even if access and use is continued to be allowed to others.
- The device complies with Bluetooth mesh Standard v1.0. It can also be used in 3rd party Bluetooth mesh network, that complies with this standard and that supports the mesh models of this device, and with certain 3rd party commissioning tools, that support the mesh models of this device. In order to ensure correct interoperability a verification with the 3rd party network components and the 3rd party commissioning tool is necessary in advance. Please contact Inventronics (support@inventronicsglobal.com) to receive the actual list of supported models for this device.
- Inventronics shall have no liability for any 3rd party commissioning tool and does not make any representations, express or implied, about the availability and/or performance of such commissioning tool.
- Inventronics shall have no liability for and does not make any representations, express or implied, about the connectivity of Inventronics B NLC products with any other products, that have passed the SILVAIR Testing process.

Download Data

File		
CAD data 2-dim	Compressed	▶ DALI CONV LI CAD2PDF 030326
CAD data	Compressed	▶ B NLC DALI CONV EL-T STEP 040825
CAD data	Compressed	▶ DALI CONV LI CAD3PDF 030326
CAD data	Compressed	▶ DALI CONV LI IGS 230120
User instruction	PDF	▶ G15129465_B_NLC_DALI_CONV_03

Logistical Data

Product code	Product description	Packaging unit (Pieces/Unit)	Dimensions (length x width x height)	Volume	Gross weight
6977078991605 INVENTRONICS	B NLC DALI CONV	Shipping carton box 25 Pieces	160 x 120 x 117 mm	2.25 dm ³	46.00 g

The mentioned product code describes the smallest quantity unit which can be ordered. One shipping unit can contain one or more single products. When placing an order, for the quantity please enter single or multiples of a shipping unit