

## B NLC D OF LI

Light management systems



### Product family features

- With/without Daylight and Occupancy Sensor D4i Module
- Bluetooth NLC enabled by Silvair
- Control of D4i drivers or DALI drivers with additional DALI bus power supply
- Intended for installation into a standard 1/2" knockout
- Works with Inventronics Hubsense®
- Works with Inventronics D4i LED drivers

### Product family benefits

- Standard communication protocol released by Bluetooth SIG
- Design freedom due to compact size
- Easy to integrate in luminaire
- Minimize internal wiring in combination with D4i drivers
- Secured product communication granted by ioXT and PSA Certificates

## Areas of application

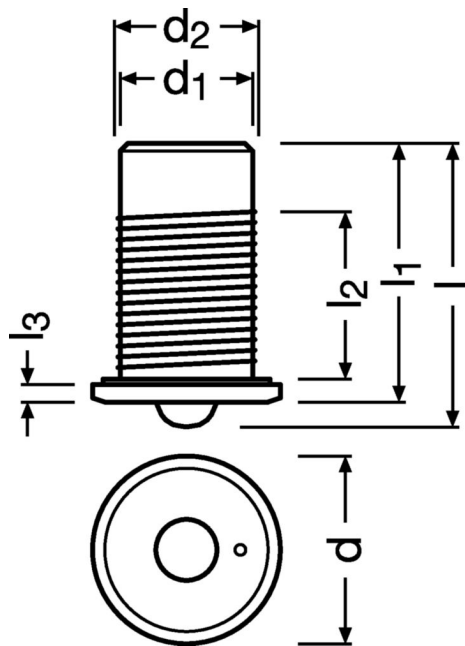
- Open offices
- Individual offices
- Conference rooms
- Classrooms
- Storage and break areas
- Stairways
- Toilets
- Suitable for high installation heights
- Entrance halls
- High-bay warehouse
- Production halls

## Technical data

### Electrical data

<b>Nominal voltage</b>	13,5 ... 22,5 V
<b>Mains frequency</b>	0 Hz
<b>Maximum TX power</b>	+8 dBm
<b>Peak input current</b>	30 mA
<b>Average input current</b>	10 mA
<b>Radio frequency</b>	2.4 GHz
<b>Wireless protocol</b>	Bluetooth NLC enabled by Silvair
<b>Wireless range</b>	20 m line of sight
<b>Standby power</b>	< 150 mW
<b>Required DALI current (typical)</b>	10 mA
<b>Peak DALI current</b>	30 mA
<b>System wattage</b>	0.30 W

## Dimensions & weight



Product weight	18.20 g
Wire preparation length, input side	7...9 mm
Cable cross-section, input side	0.25...0.75 mm <sup>2</sup>
Length	43.7 mm
Width	28.0 mm
Height	43.5 mm
Mounting hole diameter	22.2...23.2 mm
Maximum allowed cable length	10
Screw thread length	25 mm
Diameter	30.2 mm

## Temperatures & operating conditions

Maximum temperature at tc test point	60 °C
Ambient temperature range	-20...+50 °C
Temperature range at storage	0...70 °C
Permitted rel. humidity during operation	0...90 %
Permitted relative humidity at storage	0...95 %

## Lifespan

Lifespan	50000 h
----------	---------

## Capabilities

Operating range, light sensor	<1000 lx
Detection angle	360 °
Dimming interface	D4i
Detection area	8 m <sup>2</sup>
Type of sensor	Daylight / PIR
Dimmable	Yes
Type of installation	Luminaire integration
Compatibility	Works with Inventronics HubSense / Works with Inventronics DEXAL
Control output	D4i
Status Indicator	Blue: network Status / Red: Motion detected
Reset	Magnetic <sup>1)</sup>
Number of connected drivers	4
Control interface	Bluetooth NLC
Detection angle (Light sensor)	+/- 20°
Detection angle (PIR)	+/-90°

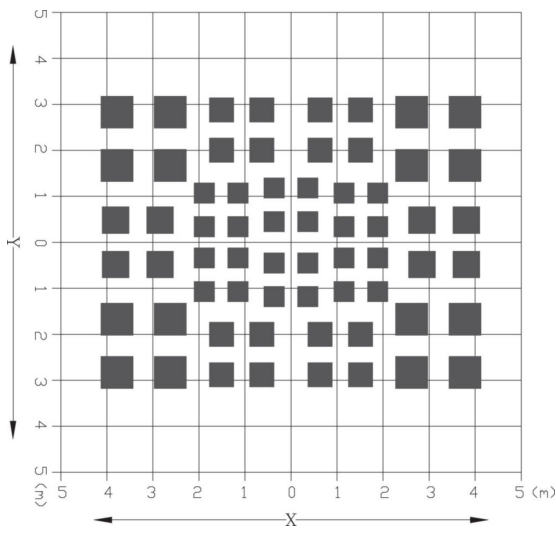
1) by magnet

## Certificates & standards

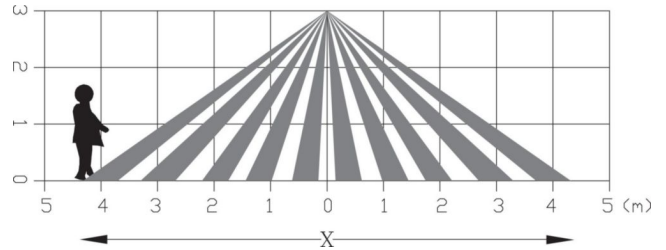
Approval marks – approval	CE / D4i / ioXT / PSA
Protection class	II
Type of protection	IP65

## Environmental information

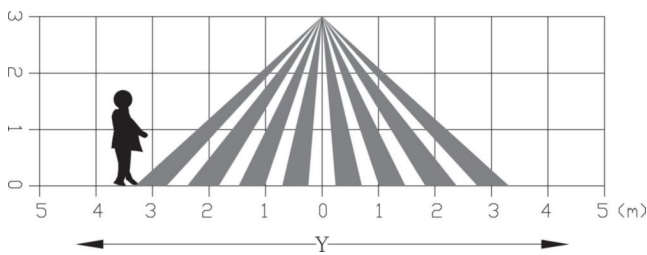
Information according Art. 33 of EU Regulation (EC) 1907/2006 (REACH)	
Primary Article Identifier	6977078997553
Date of Declaration	06-05-2026
Declaration No. in SCIP database	In work
SCIP_STATUS	In work
SCIP_ID	



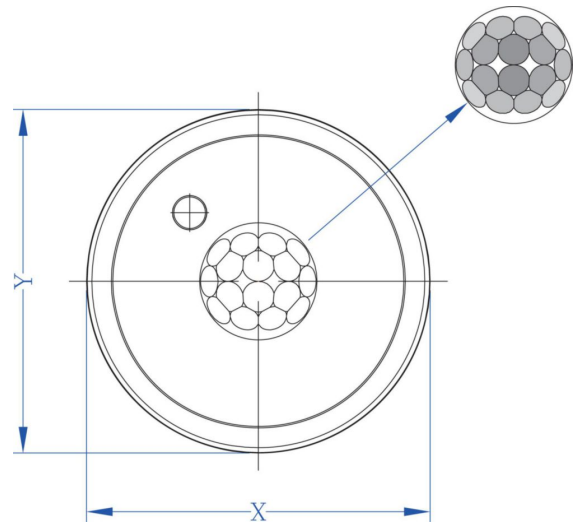
LS PD LI R DP detection pattern height



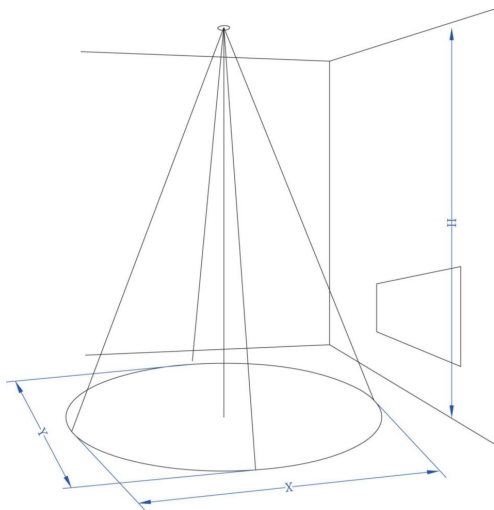
LS PD LI R DP1 detection pattern X direction



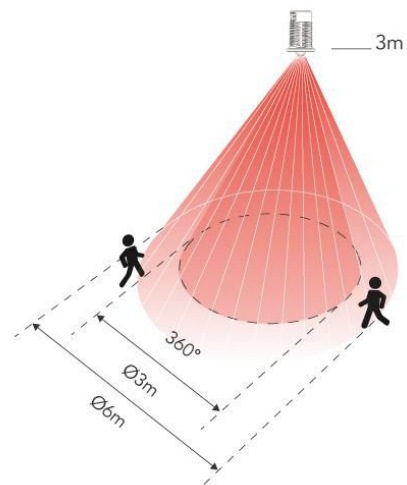
LS PD LI R DP2 detection pattern Y direction



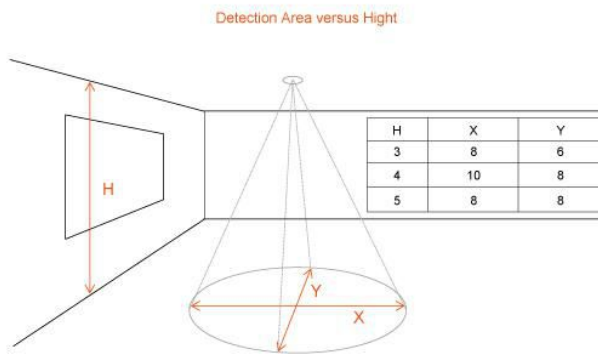
LS PD LI R DP4



LS PD LI R DP3 detection area vs height



LS PD LI R detection



LS PD LI R Pattern

## Download Data

File		
Certificates	PDF	▶ B NLC D QBM D4i CE 4322567 06 030925
CAD data 2-dim	Compressed	▶ B NLC D OF LI 2PDF 4552449 041125
CAD data 3-dim	Compressed	▶ B NLC D OF LI 3PDF 4552449 041125
CAD data	Compressed	▶ B NLC D OF LI STEP 4552449 041125
CAD data	Compressed	▶ B NLC D OF LI IGS 4552449 041125
User instruction	PDF	▶ G15129351_B-NLC-D-OF-LI__B-NLC-D-LI-R__B-NLC-D-OF-LI-S_07

## Logistical Data

Product code	Product description	Packaging unit (Pieces/Unit)	Dimensions (length x width x height)	Volume	Gross weight
6977078997553 INVENTRONICS	B NLC D OF LI	Shipping carton box 50 Pieces	330 x 287 x 195 mm	18.47 dm <sup>3</sup>	30.60 g

The mentioned product code describes the smallest quantity unit which can be ordered. One shipping unit can contain one or more single products. When placing an order, for the quantity please enter single or multiples of a shipping unit

## Disclaimer

Subject to change without notice. Errors and omission excepted. Always make sure to use the most recent release.