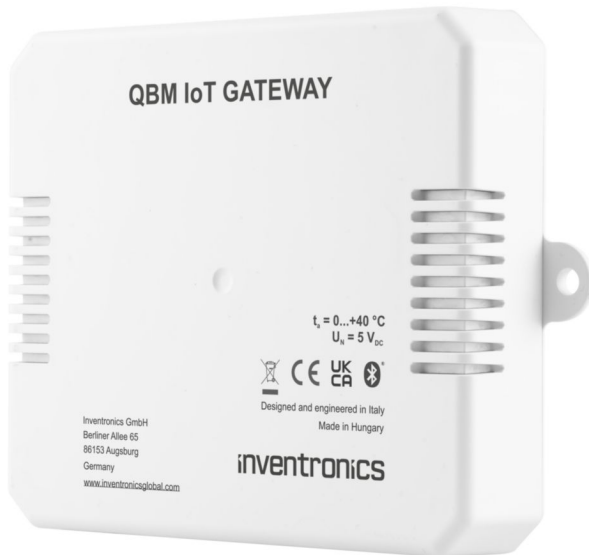


QBM IoT Gateway

Light management systems



Product family features

- Remote data collection (energy and presence) and lighting control (ON, OFF, DIM)
- Collect EL-T test report (functional and duration test)
- Powered by USB-C (power adapter not included)
- 2 LEDs indicator for info about connectivity, and communication
- White enclosure, with mounting brackets

Product family benefits

- Web server for configuration
- Secure Bluetooth communication
- In case of failure the mesh network remains operational
- Connection up to 200 nodes and 50 zones
- Only 1 gateway per Area, one area per Gateway

Areas of application

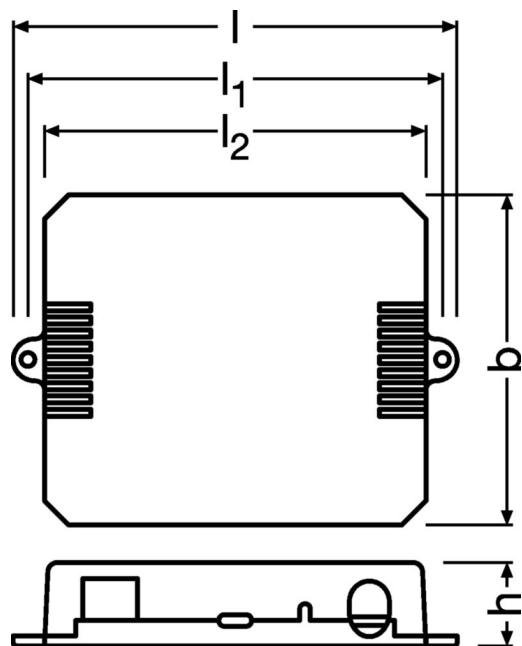
- Offices
- Schools
- Warehouses
- Factory halls
- Retails
- Sports halls

Technical data

Electrical data

Mains frequency	DC Hz
-----------------	-------

Dimensions & weight



Product weight	145.00 g
Length	146.0 mm
Width	106.0 mm
Height	26.0 mm
Diameter	not relevant

Temperatures & operating conditions

Ambient temperature range	0...+40 °C
----------------------------------	------------

Lifespan

Lifespan	50000 h
----------	---------

Capabilities

Number of control outputs	1
---------------------------	---

Certificates & standards

Approval marks – approval	CE
Protection class	IP20
Type of protection	3

Environmental information

Information according Art. 33 of EU Regulation (EC) 1907/2006 (REACH)	
Primary Article Identifier	6977078990820
Date of Declaration	25-03-2026
Declaration No. in SCIP database	In work
SCIP_ID	

Download Data

File		
Product Datasheet	PDF	▶ QBM Gateway IoT TDS 040825
Mandatory Publications	PDF	▶ QBM IoT Gateway CE 4530301 01 260226
User instruction	PDF	▶ G15132203 UI QBM IoT GATEWAY 030226
Installation guide	PDF	▶ QBM IoT Gateway quick installation guide ver3_14.01.2026

Logistical Data

Product code	Product description	Packaging unit (Pieces/Unit)	Dimensions (length x width x height)	Volume	Gross weight
6977078990820 INVENTRONICS	QBM IoT Gateway	Shipping carton box 5 Pieces	171 x 166 x 127 mm	3.61 dm ³	196.40 g

The mentioned product code describes the smallest quantity unit which can be ordered. One shipping unit can contain one or more single products. When placing an order, for the quantity please enter single or multiples of a shipping unit

Disclaimer

Subject to change without notice. Errors and omission excepted. Always make sure to use the most recent release.