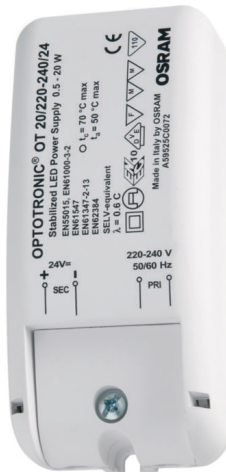


## OT 20/220-240/24

OPTOTRONIC Power supplies 24V



### Product family features

- Type of protection: IP20
- Wide operating temperature range: -20...+50 °C
- Lifetime: up to 50,000 h (temperature at max.  $t_c$ )

### Product family benefits

- Installation in cold and hot environments
- Very stable output power
- High electrical reversible short-circuit, overload, overtemperature protection
- Independent installation possible

## Areas of application

- Facades, public squares, cruise ships
- Signage
- Suitable for indoor and outdoor installations

## Technical data

### Electrical data

<b>Nominal input voltage</b>	220...240 V
<b>Mains frequency</b>	50...60 Hz
<b>Input voltage AC</b>	198...264 V <sup>1)</sup>
<b>Total harmonic distortion</b>	150 %
<b>Power factor <math>\lambda</math></b>	0.50 <sup>2)</sup>
<b>Efficiency in full-load</b>	83 % <sup>3)</sup>
<b>Device power loss</b>	4.0 W <sup>4)</sup>
<b>Inrush current</b>	17 A
<b>Max. ECG no. on circuit breaker 10 A (B)</b>	23
<b>Max. ECG no. on circuit breaker 16 A (B)</b>	42
<b>Surge capability (L-N)</b>	1 kV
<b>Nominal output voltage</b>	24 V / 24 V <sup>5)</sup>
<b>U-OUT (working voltage)</b>	24 V
<b>Nominal output power</b>	20 W <sup>6)</sup>
<b>Maximum output power</b>	20 W <sup>7)</sup>
<b>Galvanic isolation</b>	SELV

1) Permitted voltage range

2) Minimum

3) at 230 V, 50 Hz

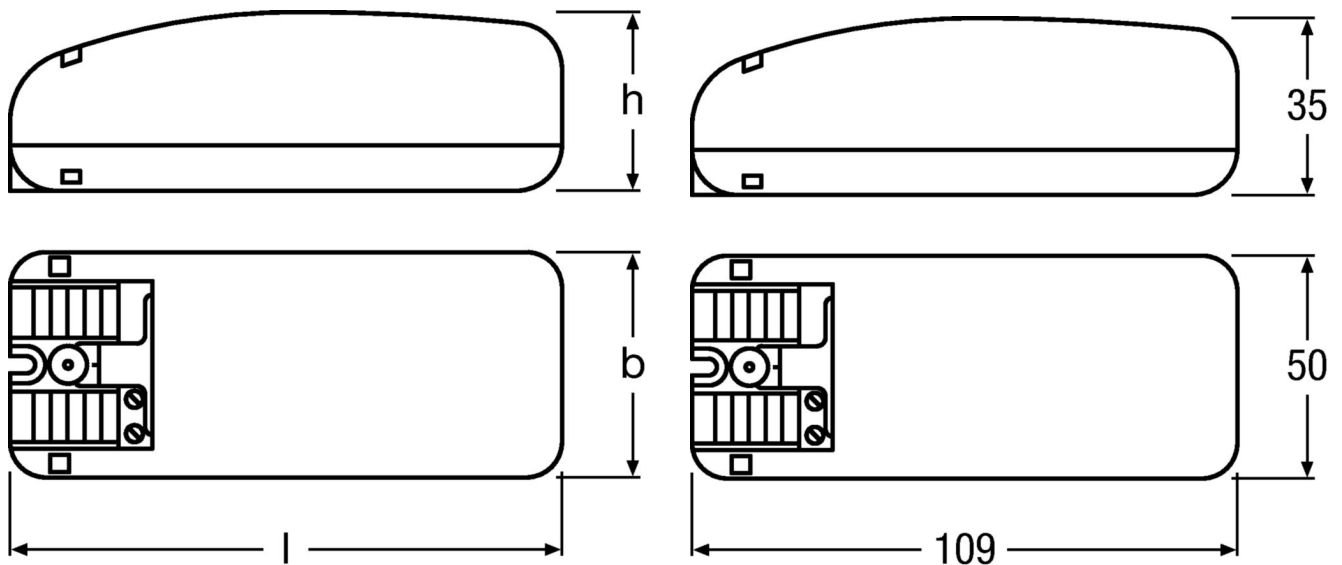
4) Maximum

5)  $\pm 1.0$  V

6) Partial load 10...20 W

7) at steady state

## Dimensions & weight



Length	109.0 mm
Width	50.0 mm
Height	35.0 mm
Mounting hole spacing, width	not relevant mm
Cable cross-section, input side	0.75...1.5 mm <sup>2</sup>
Cable cross-section, output side	0.5...1.5 mm <sup>2</sup>
Wire preparation length, input side	10 mm
Wire preparation length, output side	10 mm
Product weight	108.00 g

## Colors & materials

Casing material	Plastic
-----------------	---------

## Temperatures & operating conditions

Ambient temperature range	-20...+50 °C
Maximum temperature at tc test point	70 °C
Max.housing temperature in case of fault	90 °C
Temperature range at storage	-40...+85 °C
Permitted rel. humidity during operation	5...85 % <sup>1)</sup>

1) Maximum 56 days/year at 85 %

## Lifespan

<b>ECG lifetime</b>	30000 h
---------------------	---------

## Capabilities

<b>Dimmable</b>	No
<b>Max. cable length to lamp/LED module</b>	3.0 m <sup>1)</sup>
<b>Suitable for fixtures with prot. class</b>	II
<b>Type of connection, output side</b>	Screw terminal
<b>Number of channels</b>	1
<b>Overheating protection</b>	Automatic reversible
<b>Overload protection</b>	Automatic reversible
<b>Short-circuit protection</b>	Automatic reversible
<b>Intended for no-load operation</b>	No
<b>No-load proof</b>	Yes
<b>Suitable for no-load mode operat</b>	No

1) Output wires must be routed as close as possible to each other

## Certificates & standards

Approval marks – approval	CE / ENEC 10 / VDE / RCM
Standards	Acc. to IEC 61347-2-13 / Acc. to IEC 62384 / Acc. to EN 55015 / Acc. to IEC 61000-3-2 / Acc. to IEC 61000-3-3 / Acc. to IEC 61547
Type of protection	IP20

## Logistical data

Commodity code	85044083900
----------------	-------------

## Environmental information

Information according Art. 33 of EU Regulation (EC) 1907/2006 (REACH)	
Date of Declaration	06-08-2024
Primary Article Identifier	4050300618111
Declaration No. in SCIP database	In work
SCIP_STATUS	In work
SCIP_ID	

## Ecodesign regulation information:

Intended for use with LED modules.

The forward voltage of the LED light source shall be within the defined operating window of the control gear in all operating conditions including dimming if applicable.

Separate control gear and light sources must be disposed of at certified disposal companies in accordance with Directive 2012/19/EU (WEEE) in the EU and with Waste Electrical and Electronic Equipment (WEEE) Regulations 2013 in the UK. For this purpose, collection points for recycling centres and take-back systems (CRSO) are available from retailers or private disposal companies, which accept separate control gear and light sources free of charge. In this way, raw materials are conserved and materials are recycled.

## Additional product information

- EMI pass verified with wire length of 2 m, from the ECG to the LED module at full load.
- Wiring longer than 2 m from ECG to LED module is possible, but site installation conditions may interfere with EMI with these longer cables. EMI is therefore not verified in this condition.
- For wires longer than 2 m, the appropriate cable cross section must be carefully selected to reduce voltage drop.



## Download Data

File		
Certificates	PDF	▶ OT ENEC 40038447 270224
CAD data 3-dim	Compressed	▶ OT 20 220-240 24V Indoor-3D stp file
Brochures	PDF	▶ OPTOTRONIC constant-voltage LED power supplies and controls (EN)
Product Datasheet	PDF	▶ 313200_ADDON TECHNICAL INFORMATION OT 20/230-240/24 VS20 OSRAM (G)
Mandatory Publications	PDF	▶ OT 20 24 UKD 4314651 02 260724
Mandatory Publications	PDF	▶ OT CV CE 3578669 05 260724
User instruction	PDF	▶ OPTOTRONIC® LED Power Supply

## Logistical Data

Product code	Product description	Packaging unit (Pieces/Unit)	Dimensions (length x width x height)	Volume	Gross weight
4050300618111	OT 20/220-240/24	Shipping carton box 20 Pieces	270 x 229 x 94 mm	5.81 dm <sup>3</sup>	116.80 g

The mentioned product code describes the smallest quantity unit which can be ordered. One shipping unit can contain one or more single products. When placing an order, for the quantity please enter single or multiples of a shipping unit

## Disclaimer

Subject to change without notice. Errors and omission excepted. Always make sure to use the most recent release.