

## OT DIM

CV Dimmers with 1...10 V



### Product family features

- Intelligent analog dimmer (1...10 V) with constant output voltage
- Dimming range: 0...100 %
- Cable clamp housing for independent mounting
- Device fits also for special applications where dimming below 1 % is required

### Product family benefits

- 1...10 V control port basic isolated

## Areas of application

- Suitable for indoor SELV installations

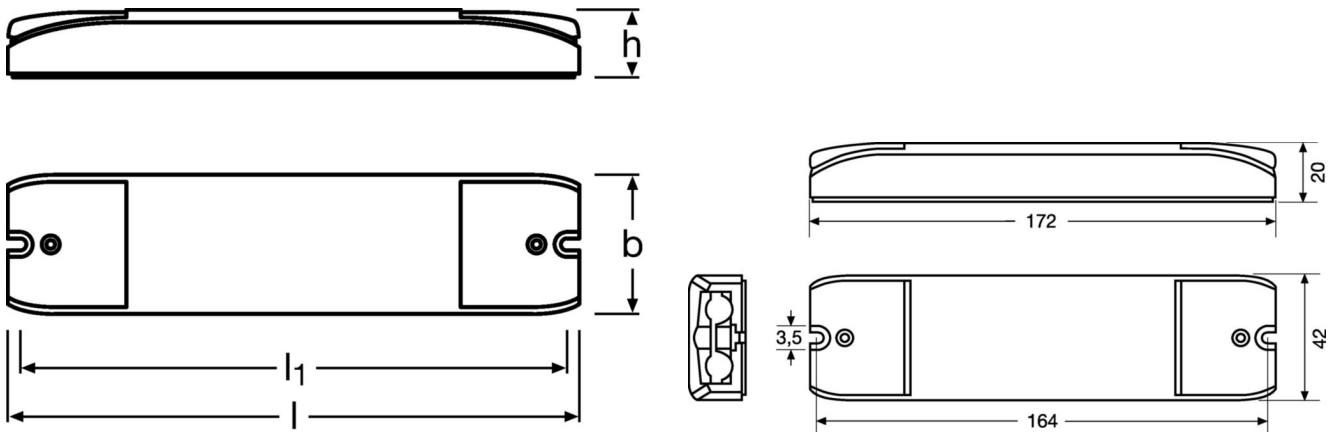
## Technical data

### Electrical data

<b>Nominal input voltage</b>	10...24 V
<b>Mains frequency</b>	0 Hz
<b>Input voltage AC</b>	10.5...24 V <sup>1)</sup>
<b>Input voltage DC</b>	10.5...24 V
<b>Inrush current</b>	not relevant
<b>Max. ECG no. on circuit breaker 10 A (B)</b>	not relevant
<b>Max. ECG no. on circuit breaker 16 A (B)</b>	not relevant
<b>Surge capability (L/N-Ground)</b>	not relevant
<b>Surge capability (L-N)</b>	not relevant kV
<b>Nominal output voltage</b>	10.5...24 V / 10.5...24 V
<b>Nominal output power</b>	120 W
<b>Galvanic isolation</b>	SELV equivalent

1)  $V_{DC}$

## Dimensions & weight



Length	172.0 mm
Width	42.0 mm
Height	20.0 mm
Mounting hole spacing, length	164.0 mm
Cable cross-section, input side	0.5...1.5 mm <sup>2</sup>
Cable cross-section, output side	0.5...1.5 mm <sup>2</sup>
Wire preparation length, input side	10 mm
Wire preparation length, output side	10 mm
Product weight	81.00 g

## Colors & materials

Casing material	Plastic
Product color	White

## Temperatures & operating conditions

Ambient temperature range	-20...+50 °C
Maximum temperature at tc test point	70 °C
Max.housing temperature in case of fault	100 °C
Temperature range at storage	-25...85 °C
Permitted rel. humidity during operation	5...85 % <sup>1)</sup>

1) Maximum 56 days/year at 85 %

## Lifespan

<b>ECG lifetime</b>	50000 h
---------------------	---------

## Capabilities

<b>Dimmable</b>	Yes
<b>Dimming interface</b>	1...10 V
<b>Dimming range</b>	0...100 %
<b>Dimming method</b>	Amplitude Modulation / Pulse Width Modulation
<b>Suitable for fixtures with prot. class</b>	II
<b>Type of connection, output side</b>	Screw terminal
<b>Overheating protection</b>	Automatic reversible <sup>1)</sup>
<b>Overload protection</b>	Automatic reversible <sup>1)</sup>
<b>Short-circuit protection</b>	Automatic reversible <sup>1)</sup>
<b>No-load proof</b>	Yes

1) In combination with OPTOTRONIC power supply

## Certificates & standards

<b>Approval marks – approval</b>	CE / VDE / VDE-EMC
<b>Standards</b>	Acc. to DIN VDE 0875/CISPR 15/EN 55015 / Acc. to EN 61547 / Acc. to EN 55015 / Acc. to EN 61547 / Acc. to EN 61046 / Acc. to IEC 61347-2-2 / Acc. to UL 508
<b>Type of protection</b>	IP20

## Logistical data

<b>Commodity code</b>	85371098990
-----------------------	-------------

## Environmental information

Information according Art. 33 of EU Regulation (EC) 1907/2006 (REACH)	
<b>Date of Declaration</b>	24-05-2024
<b>Primary Article Identifier</b>	4050300943459
<b>Declaration No. in SCIP database</b>	In work
<b>SCIP_STATUS</b>	In work
<b>SCIP_ID</b>	

## Ecodesign regulation information:

Intended for use with LED modules.

The forward voltage of the LED light source shall be within the defined operating window of the control gear in all operating conditions including dimming if applicable.

Separate control gear and light sources must be disposed of at certified disposal companies in accordance with Directive 2012/19/EU (WEEE) in the EU and with Waste Electrical and Electronic Equipment (WEEE) Regulations 2013 in the UK. For this purpose, collection points for recycling centres and take-back systems (CRSO) are available from retailers or private disposal companies, which accept separate control gear and light sources free of charge. In this way, raw materials are conserved and materials are recycled.

## Download Data

File		
Brochures	PDF	▶ OPTOTRONIC constant-voltage LED power supplies and controls (EN)
Certificates	PDF	▶ OT DIM 10 24 VDE ENEC 40027477 200723
CAD data 3-dim	Compressed	▶ OT DIM _ 3D igs file
Mandatory Publications	PDF	▶ OT DIM CE 2648317 03 160823
Declarations of conformity	PDF	▶ 334844_Declaration of conformity OT Dimmer OT Sequencer



## Logistical Data

Product code	Product description	Packaging unit (Pieces/Unit)	Dimensions (length x width x height)	Volume	Gross weight
4050300943459	OT DIM	Shipping carton box 20 Pieces	351 x 222 x 68 mm	5.30 dm <sup>3</sup>	107.50 g

The mentioned product code describes the smallest quantity unit which can be ordered. One shipping unit can contain one or more single products. When placing an order, for the quantity please enter single or multiples of a shipping unit

## Disclaimer

Subject to change without notice. Errors and omission excepted. Always make sure to use the most recent release.