

## O<sub>T</sub>e 13/220-240/350 PC

OPTOTRONIC Phase-cut OTE | Compact constant current LED driver – Dimmable



### Product family features

- Dimmable via leading edge/trailing edge
- Type of protection: IP20

### Product family benefits

- Compact housing for mounting in very tight spaces
- Compatible with the most common leading-edge and trailing-edge phase dimmers

## Areas of application

- Optional cable clamp E-style for independent mounting
- Suitable for indoor installations
- Suitable for indoor SELV installations

## Technical data

### Electrical data

Nominal input voltage	220...240 V
Mains frequency	50/60 Hz
Input voltage AC	198...264 V <sup>1)</sup>
Input voltage DC	not relevant
Nominal input current at 230 V	0.08 A
Total harmonic distortion	< 20 %
Power factor $\lambda$	0.95 / 0.90 <sup>2)</sup>
Efficiency in full-load	84 % <sup>3)</sup>
Device power loss	2.6 W <sup>4)</sup>
Inrush current	5 A <sup>5)</sup>
Max. ECG no. on circuit breaker 10 A (B)	82
Max. ECG no. on circuit breaker 16 A (B)	130
Surge capability (L-N)	1 kV
Surge capability (L/N-Ground)	1 kV
Protective conductor current	not relevant
Nominal output voltage	18...38 V <sup>6)</sup>
U-OUT (working voltage)	50 V
Nominal output current	350 mA <sup>7)</sup>
Output current tolerance	$\pm 10$ %
Output ripple current (100 Hz)	25 % <sup>8)</sup>
Output PSTLM	$\leq 1$
Output SVM	$\leq 0.6$
Nominal output power	13 W <sup>9)</sup>
Maximum output power	13 W
Galvanic isolation primary/secondary	SELV

1) Permitted voltage range

2) Full load at 230 V / Minimum load at 230 V

3) at 230 V, 50 Hz

4) Maximum

5)  $t_{width} = 100 \mu s$  (measured at 50 %  $I_{peak}$ )

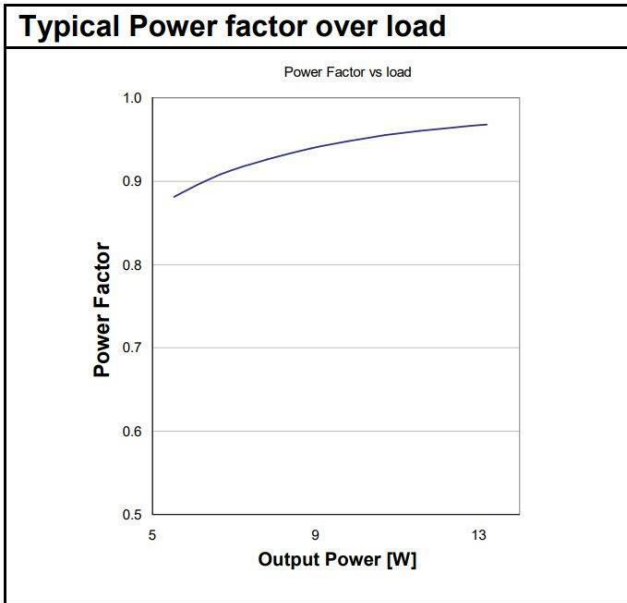
6) Maximum <48 V

7)  $\pm 10$  %

8) Typical

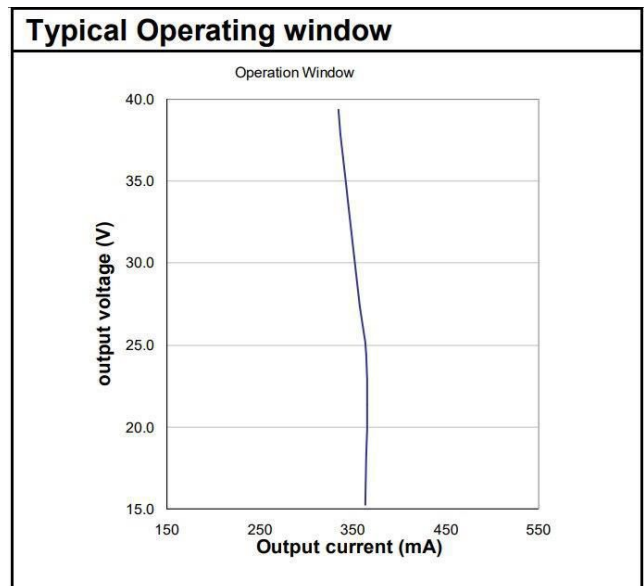
9) Partial load 6.5...13.5 W

## Typical Power Factor v Load



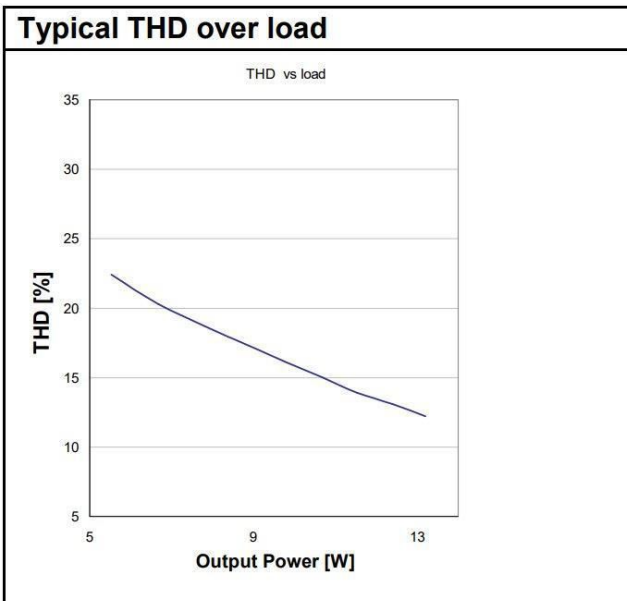
OTE 13/220-240/350 PC Typical Power Factor vs. Load

## Operating Window



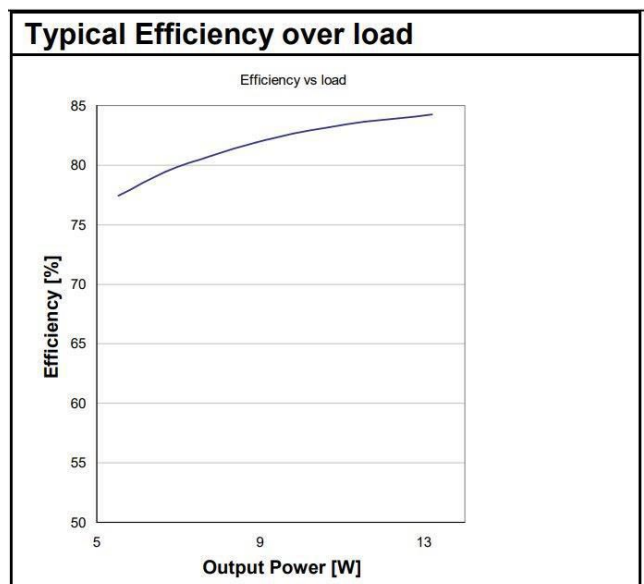
OTE 13/220-240/350 PC Operating Window

## Typical THD v Load



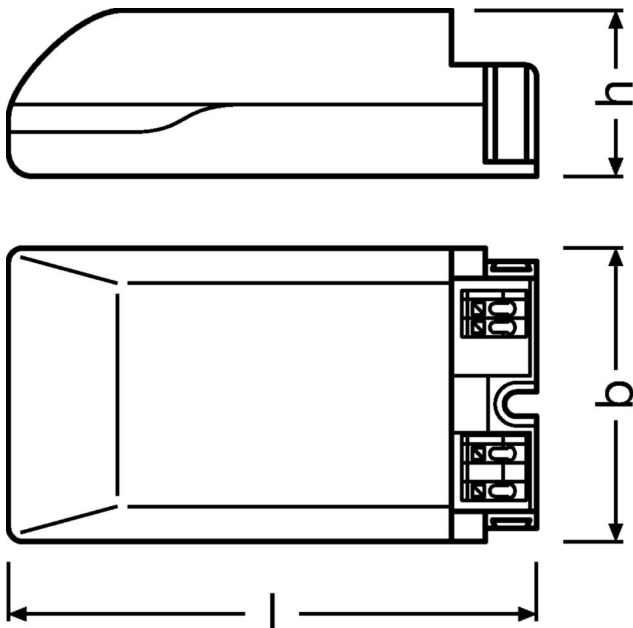
OTE 13/220-240/350 PC Typical THD Vs Load

## Typical Efficiency v Load 230 V 50 Hz



OTE 13/220-240/350 PC Typical Efficiency vs. Load (230 V / 50 Hz)

## Dimensions & weight



<b>Product weight</b>	81.00 g
<b>Length</b>	95.0 mm
<b>Width</b>	53.0 mm
<b>Height</b>	25.0 mm
<b>Cable cross-section, input side</b>	0.75...1.5 mm <sup>2</sup> <sup>1)</sup>
<b>Cable cross-section, output side</b>	0.5...1.5 mm <sup>2</sup> <sup>1)</sup>
<b>Wire preparation length, input side</b>	8.0...9.0 mm
<b>Wire preparation length, output side</b>	8.0...9.0 mm
<b>Cable/wire length, output side</b>	2000 mm

1) Flexible / Solid leads

## Colors & materials

<b>Casing material</b>	Plastic
------------------------	---------

## Temperatures & operating conditions

<b>Ambient temperature range</b>	-20...+55 °C
<b>Maximum temperature at tc test point</b>	85 °C <sup>1)</sup>
<b>Max.housing temperature in case of fault</b>	110 °C
<b>Temperature range at storage</b>	-25...75 °C
<b>Permitted rel. humidity during operation</b>	5...85 % <sup>2)</sup>

1) Maximum at the Tc-point

2) Maximum 56 days/year at 85 %

## Lifespan

<b>ECG lifetime</b>	50000 h <sup>1)</sup>
---------------------	-----------------------

1) At  $T_{case} = 75^{\circ}C$  at  $T_c$  point / 10% failure rate

## Capabilities

<b>Dimmable</b>	Yes
<b>Dimming interface</b>	Phase Cut <sup>1)</sup>
<b>Dimming range</b>	10...100 %
<b>Dimming method</b>	Amplitude Modulation
<b>Max. cable length to lamp/LED module</b>	2.0 m <sup>2)</sup>
<b>Suitable for fixtures with prot. class</b>	I / II
<b>Type of connection, output side</b>	Push terminal
<b>Suitable for through-wiring</b>	No
<b>Overheating protection</b>	Automatic reversible
<b>Overload protection</b>	Automatic reversible
<b>Short-circuit protection</b>	Automatic reversible
<b>Intended for no-load operation</b>	No
<b>No-load proof</b>	Yes

1) Leading edge / Trailing edge

2) Output wires must be routed as close as possible to each other

## Programming

Programming device	not relevant
--------------------	--------------

## Certificates & standards

Approval marks – approval	CE / ENEC 10 / CB
Standards	IEC 61347-1 / IEC 61347-2-13 / IEC 62384 / CISPR 15 / IEC 61000-3-2 / IEC 61000-3-3 / IEC 61547
Type of protection	IP20

## Logistical data

Commodity code	85044083900
----------------	-------------

## Environmental information

Information according Art. 33 of EU Regulation (EC) 1907/2006 (REACH)	
Date of Declaration	03-04-2026
Primary Article Identifier	4052899105324   6937186134523
Declaration No. in SCIP database	In work
SCIP_STATUS	In work
SCIP_ID	

## Ecodesign regulation information:

Intended for use with LED modules.

The forward voltage of the LED light source shall be within the defined operating window of the control gear in all operating conditions including dimming if applicable.

Separate control gear and light sources must be disposed of at certified disposal companies in accordance with Directive 2012/19/EU (WEEE) in the EU and with Waste Electrical and Electronic Equipment (WEEE) Regulations 2013 in the UK. For this purpose, collection points for recycling centres and take-back systems (CRSO) are available from retailers or private disposal companies, which accept separate control gear and light sources free of charge. In this way, raw materials are conserved and materials are recycled.

## Download Data

File		
Installation/Operation notice	PDF	▶OT PC dimmer list 210624
CAD data 3-dim	Compressed	▶OTe 10-13 PC - cable clamp
Installation guide	PDF	▶501497_OTe 13/220-240/350 PC
CAD data	Compressed	▶OTe 10-13 PC housing STEP 260226
CAD data	Compressed	▶OTe 10-13 PC housing with cable clamp STEP 260226

## Logistical Data

Product code	Product description	Packaging unit (Pieces/Unit)	Dimensions (length x width x height)	Volume	Gross weight
6937186134523 INVENTRONICS	OTe 13/220-240/350 PC	Shipping carton box 20 Pieces	284 x 207 x 96 mm	5.64 dm <sup>3</sup>	94.50 g

The mentioned product code describes the smallest quantity unit which can be ordered. One shipping unit can contain one or more single products. When placing an order, for the quantity please enter single or multiples of a shipping unit

## Disclaimer

Subject to change without notice. Errors and omission excepted. Always make sure to use the most recent release.

## Accessories Optional

Product description	Accessory name	Accessory code
OTe 13/220-240/350 PC	OT CABLE CLAMP E-STYLE	▶ 4052899167896
OTe 13/220-240/350 PC	OT CABLE CLAMP E-STYLE	▶ 6977770432185